

Item	Component	Weight (ton)
①	Stator Assy.	445
②	Rotor Assy.	105
③	Bearing Assy.	45
④	Gas cooler	15
⑤	Trunnion	9
⑥	Sole Plate	4
⑦	Brush Assy.	4
	Misc	8
	Total	635

Machine	Generator
Type	TAKS
Pole	2
kVA	1,270,000
R.P.M.	3000
Form	LCH
Volts	26,000
Amperes	28,202
Hz	50
Gas Pressure	6 barg

Reference Drawing List	
Drawing title	Drawing number
Arrangement for Sole Plate for Generator	TJB56-L1-OFF-C-MKA-E-DRD-4373(1K0004642)
Generator Sole Plate and Anchor Bolt	TJB56-L1-OFF-C-MKA-E-DRD-4370(1K0004641)

REV	DATE	DESCRIPTION	BY	CHKD	APPD
1	14 FEB '22	ISSUED FOR AS-BUILT	MS	MF	MF
0	26 OCT '18	ISSUED FOR CONSTRUCTION	M.F.	S.N.	S.N.

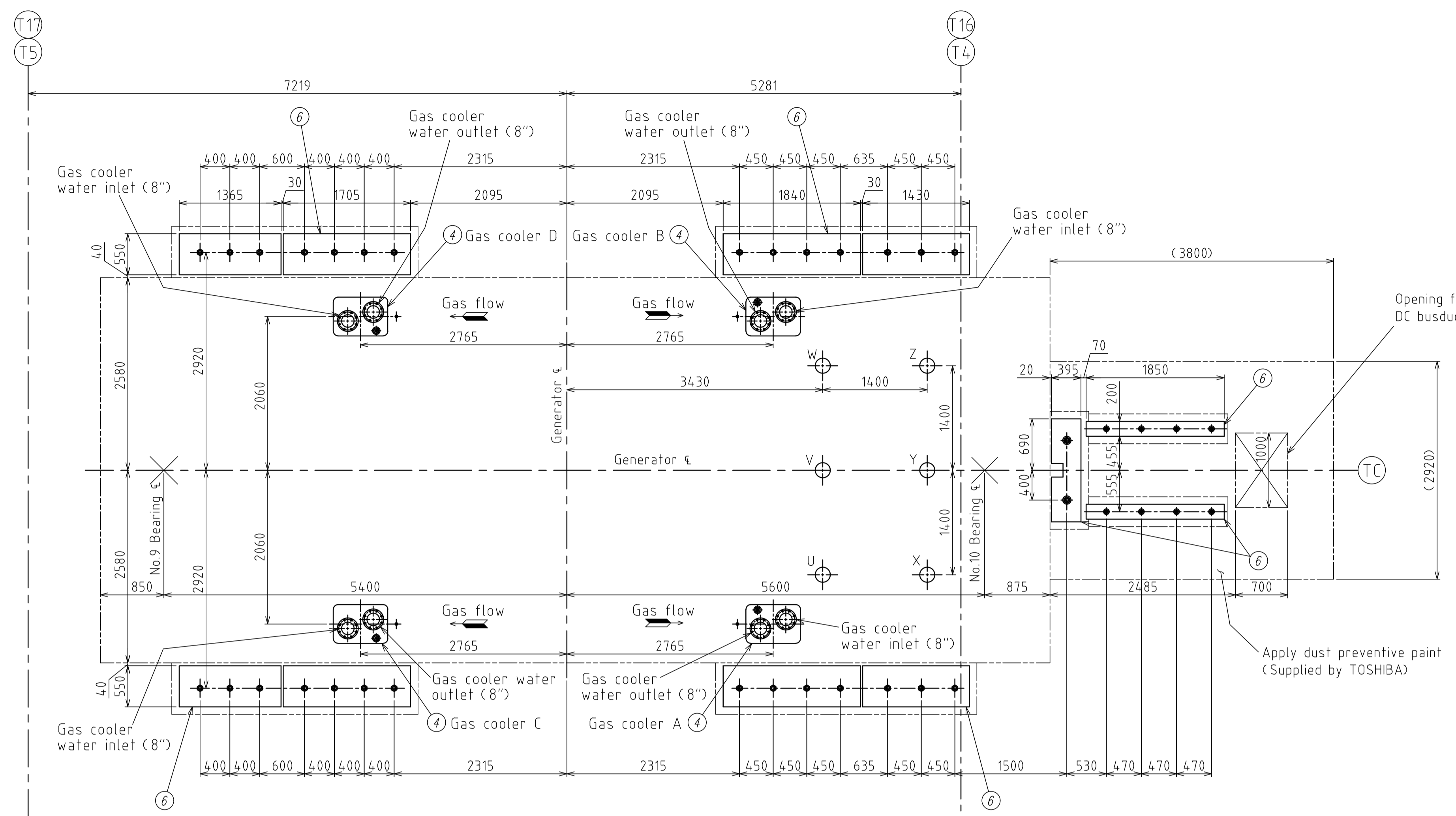
OWNER: PT. Bhumijati Power
 PROJECT TITLE: TANJUNG JATI B EXPANSION (JAWA-4) COAL FIRED STEAM POWER PLANT 2 x 1,000 MW
 OWNER'S ENGINEER: Pöyry
 EPC CONTRACTORS: Sumitomo Corporation, PT. Wasa Mitra Engineering, AvantiPower Japan Ltd.
 PROJECT DRAWING NO.: TJB56-L1-OFF-C-MKA-E-DRD-4320
 APPD: S.Nakayama, SM SCALE: N.A. TITLE: OUTLINE DRAWING FOR GENERATOR
 CHDK: M.Furukawa, MF UNITS/VIEW: N.A. UNIT/VIEW: N.A.
 BY: K.Shimizu, KS ma/n ISO/PLAN/ST/980
 EPC LOT SUB-CONTRACTOR: TOSHIBA DRAWING NO.: 1K0004596 REV. MARK: F
 SHEET NO.: 1 OF 2

REV	DATE	DESCRIPTION	BY	CHKD	APPD
	FEB.-29.-'16	承認 APPROVED BY	K.Segawa		
	FEB.-29.-'16	調査 REVIEWED BY			
	FEB.-29.-'16	調査 REVIEWED BY	S.Nakayama		
	FEB.-29.-'16	担当 PREPARED BY	K.Mitta		
	FEB.-29.-'16	担当 PREPARED BY			

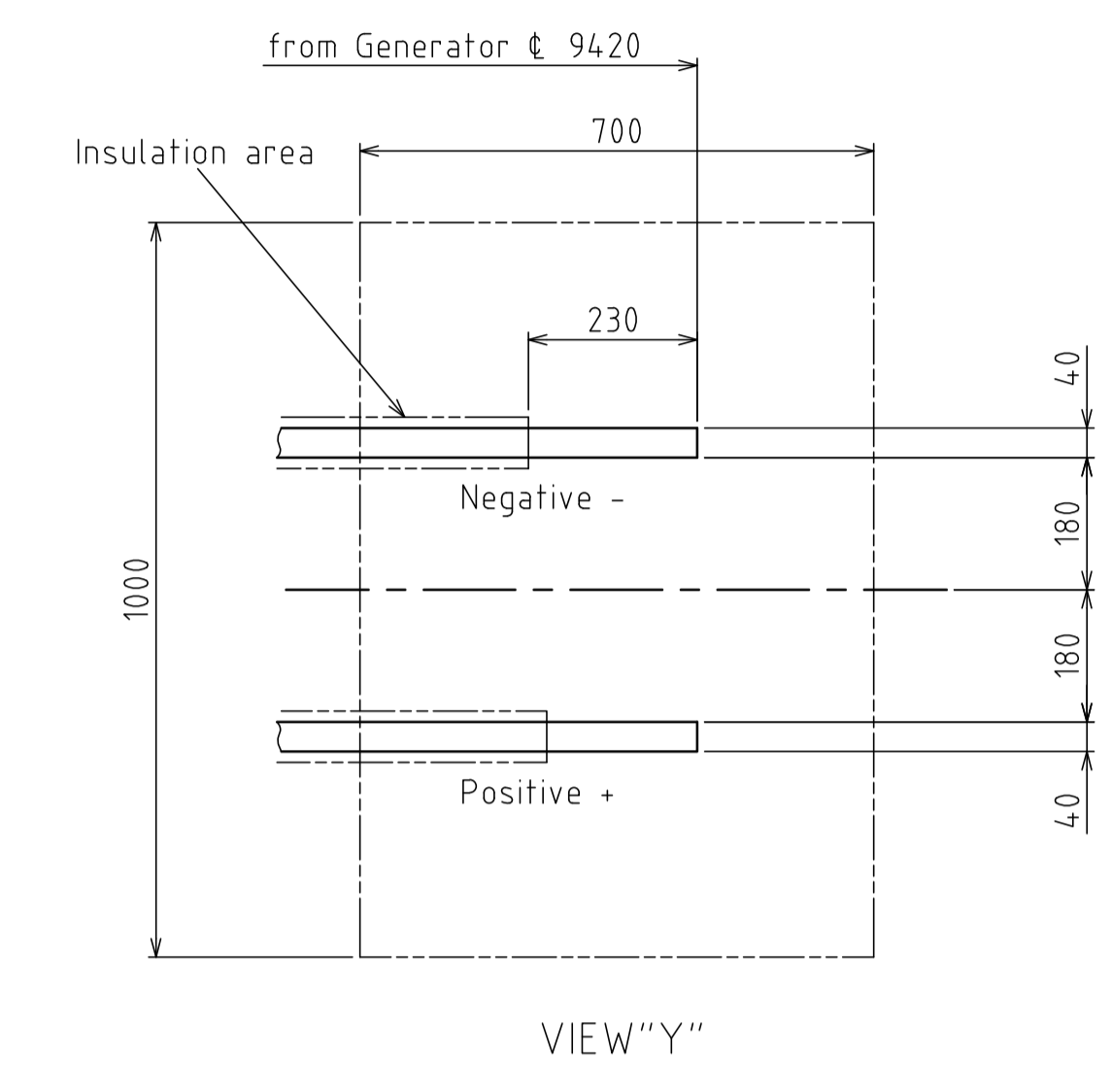
承認 APPROVED BY: K.Segawa
 調査 REVIEWED BY: S.Nakayama
 調査 REVIEWED BY: K.Mitta
 担当 PREPARED BY: K.Mitta
 名称 TITLE: OUTLINE OF GENERATOR
 図面番号 DRAWING NO.: 1K0004596
 発行年・変更記号ノ指示ガイマノハ最新版ヲ適用スルコト
 T 保管 REGISTERED (全) FEB.-04.-'22 電子承認システム適用

この技術資料は当社の秘密情報であり、ノウハウ等の知的財産を含みます。当社の事前許可なくこの技術資料の一部または全部を第三者に開示すること、複製すること、目的外使用すること、及び改定することを行わないで下さい。また、ご使用後は必ず当社にご返却願います。東芝エネルギーシステムズ株式会社 東京事業所

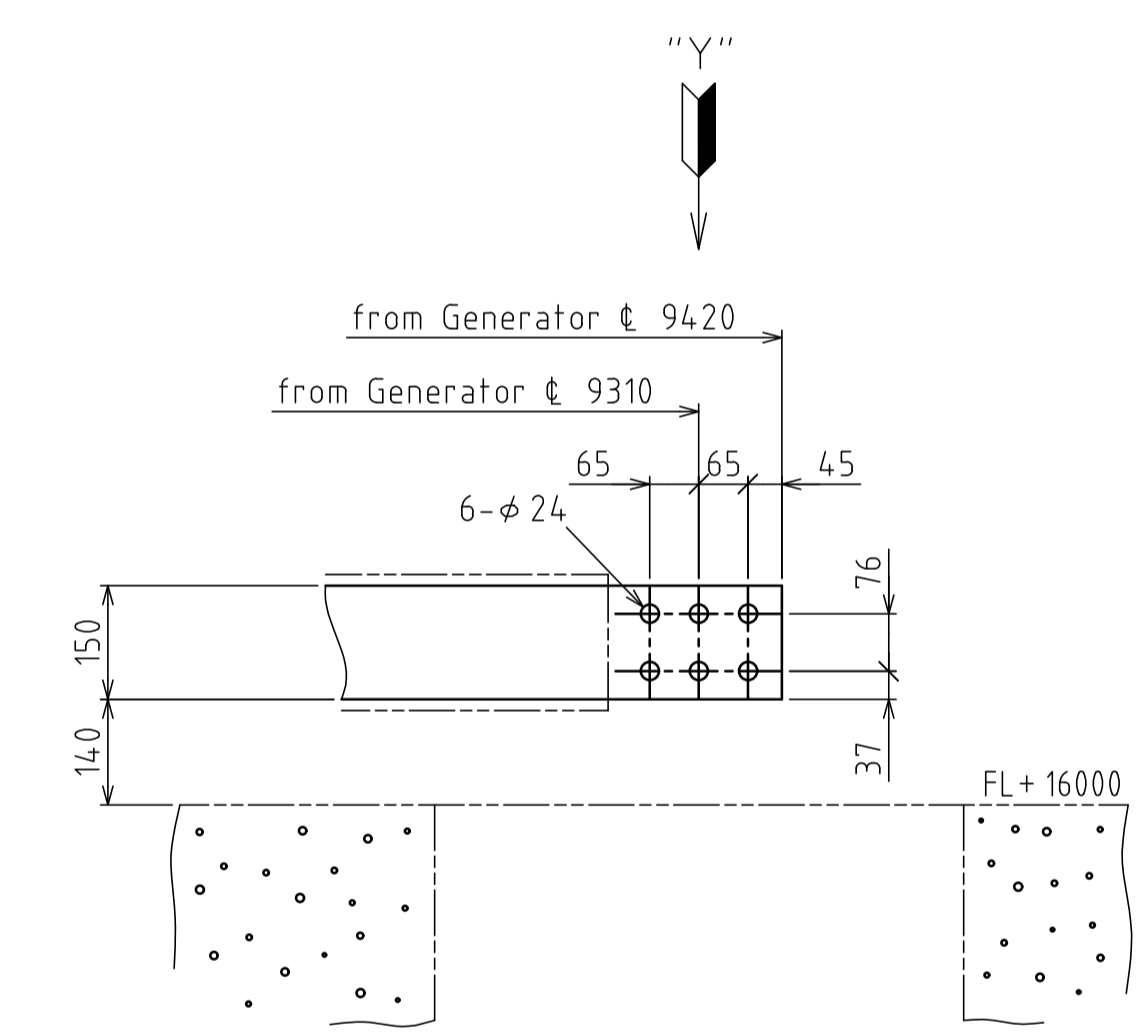
The information in this material is confidential and contains our intellectual property including know-how. It shall not be disclosed to any third party, copied, reproduced, used for unauthorized purposes nor modified without prior written consent of us. And please get them back this document after you have done with it. Toshiba Energy Systems & Solutions Corporation Kashiwa Product Operations



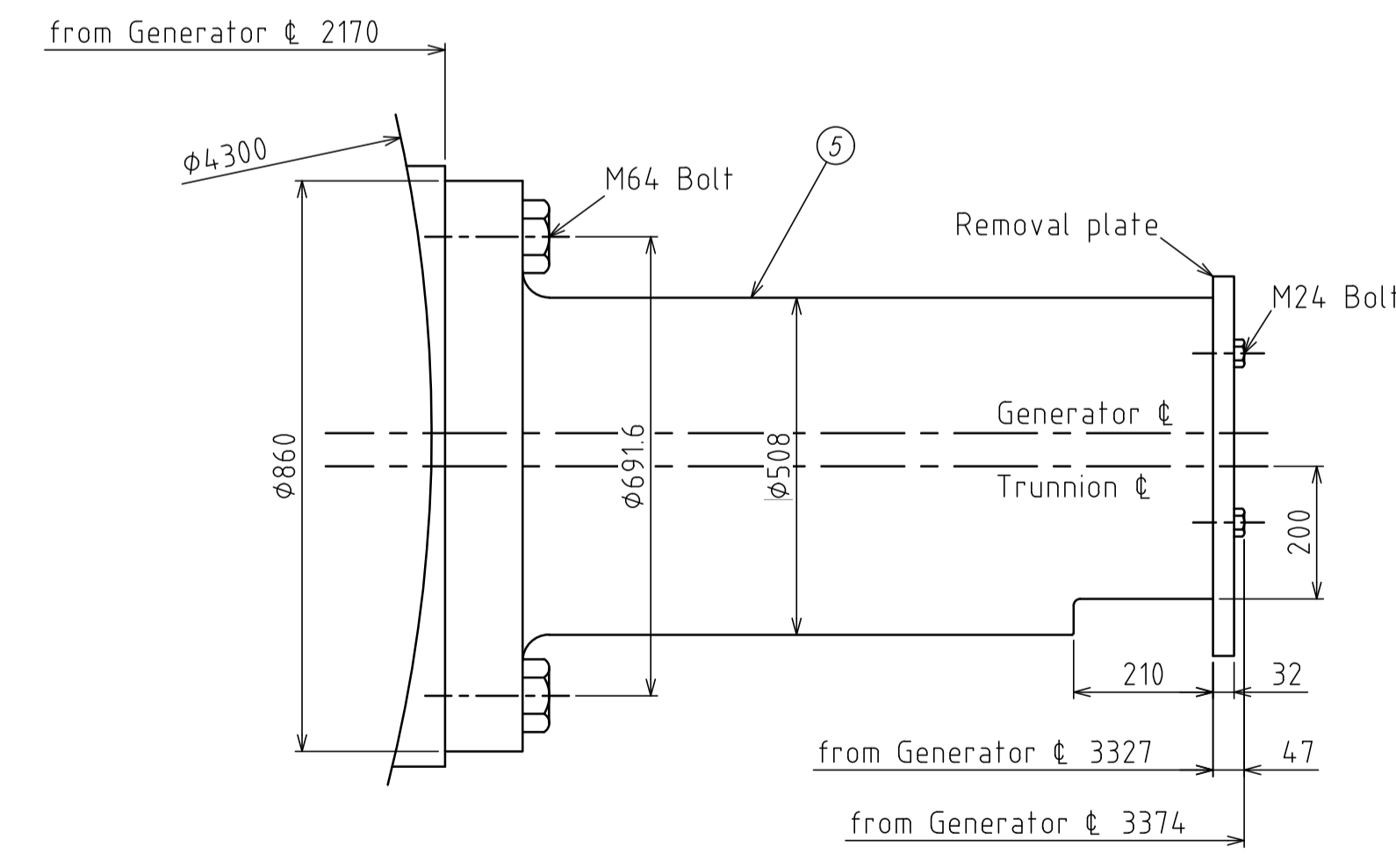
VIEW "FF" (1~5-c)
(OPERATING FLOOR, FL+16000)



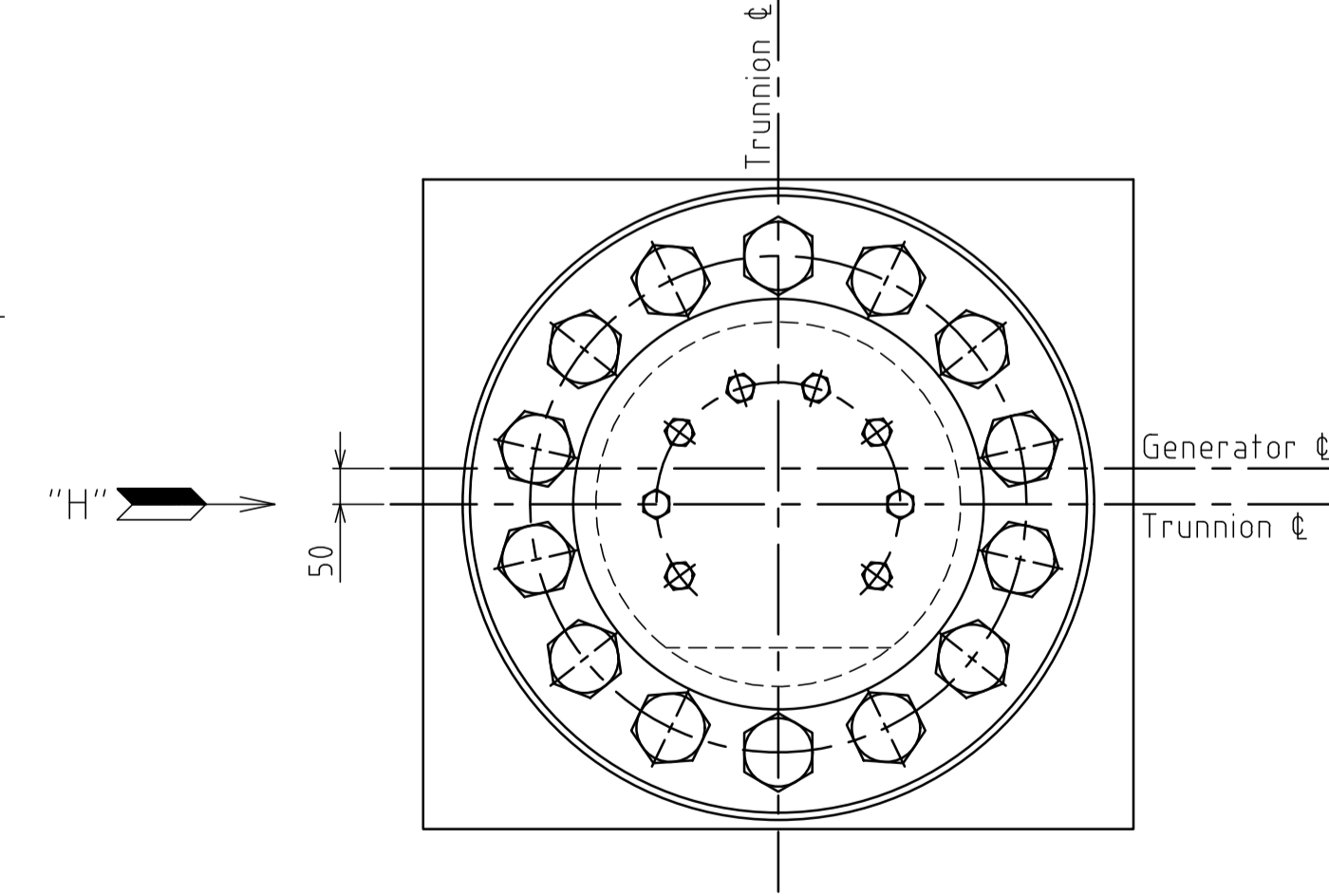
VIEW "Y"



DETAIL "X" (1~5-c)
(DETAIL OF FIELD BUS TERMINAL)



VIEW "H"



DETAIL "G" (1~2-B)
(DETAIL OF TRUNNION, Quantity: 4)

- NOTES
- TERMINALS BETWEEN GENERATOR FIELD CONNECTION BARS AND DC BUSDUCT SHALL BE PROTECTED BY PROPER INSULATION TAPES FOR SAFETY OF PERSONNEL. (THIS RELATED MATERIALS AND WORKS SHALL BE SUPPLIED BY BUSDUCT MANUFACTURER)
 - TO AVOID CHANGE OF COOLING AIR FLOW IN COLLECTOR HOUSING, AIR SEAL CONFIGURATION FOR BLOCKING THE FLOW SHALL BE APPLIED INSIDE OPENING OF FOUNDATION. (THIS RELATED MATERIALS AND WORKS SHALL BE SUPPLIED BY BUSDUCT MANUFACTURER)

ISSUED FOR AS-BUILT			
1	14/FEB/22	ISSUED FOR AS-BUILT	M.S. M.F. M.F.
0	26/OCT/18	ISSUED FOR CONSTRUCTION	M.F. S.N. S.N.
REV	DATE	DESCRIPTION	BY (CHKD APPD)
OWNER PT.Bhumi Jati Power			
PROJECT TITLE TANJUNG JATI B EXPANSION (JAWA-4) COAL FIRED STEAM POWER PLANT 2 x 1,000 MW			
OWNER'S ENGINEER POYRY			
EPC CONTRACTORS Sumitomo Corporation PT. Wasa Mitra Engineering AvantPower Japan Ltd.			
PROJECT DRAWING NO. TJB56-L1-OFF-C-MKA-E-DRD-4320		REV 1	
APPROVAL	SCALE	TITLE	
CHKD	N.A.	OUTLINE DRAWING FOR GENERATOR	
BY	UNITS/VIEW		
K.Shimizu	KS	ISO/PLAN/ST/380	
EPC LOT SUB-CONTRACTOR		EPC LOT SUB-CONTRACTOR	REV
TOSHIBA		DRAWING NO. 1K0004596	F
		SHEET NO. 2 OF 2	
名称 TITLE OUTLINE OF GENERATOR			
図面番号 DRAWING NO. 1K0004596			
図面コード ET.A.32A.05, 0.0.1.0, 1.2.7.0, 3.0.R, L, X.I.T.05			
T 保管 REGISTRE (全) FEB.-04-'22 電子承認システム適用			

REV	DATE	BY	REASON	REVISIONS							
M.Furukawa	FEB.-04-'22	S.Nakayama	OCT.-26-'18	S.Nakayama	APR.-12-'18	S.Nakayama	SEP.-28-'17	S.Nakayama	SEP.-07-'17	承認 APPROVED BY K.Segawa	
M.Furukawa	FEB.-04-'22	S.Nakayama	OCT.-26-'18	S.Nakayama	APR.-12-'18	M.Furukawa	SEP.-28-'17	M.Furukawa	SEP.-07-'17	調査 REVIEWED BY K.Mitta	
M.Saito	FEB.-04-'22	M.Furukawa	OCT.-26-'18	K.Shimizu	APR.-12-'18	K.Shimizu	SEP.-28-'17	K.Shimizu	SEP.-07-'17	担当 PREPARED BY	
F		E		D		C		B		記事 CONTENTS	
ISSUED FOR AS-BUILT.		Issued for construction.		Revised by design progress.		Revised by customer's comments.		Revised by design progress.		TOSHIBA 東芝エネルギーシステムズ株式会社 TOSHIBA ENERGY SYSTEMS & SOLUTIONS CORPORATION	