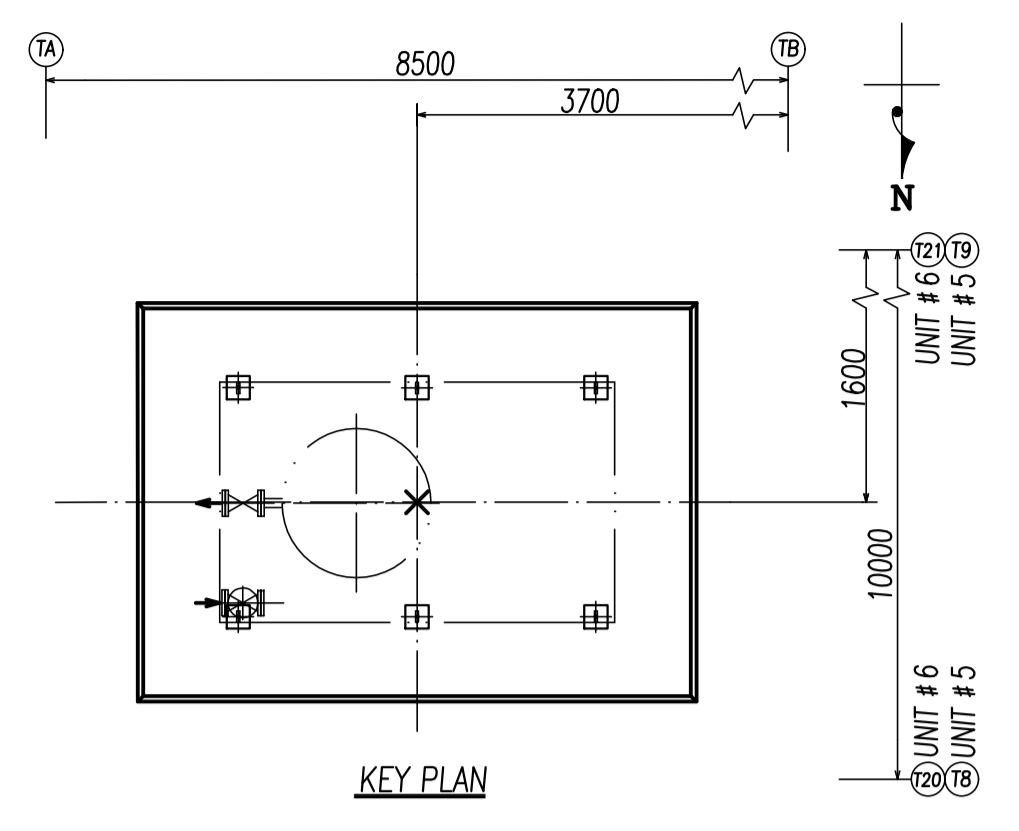
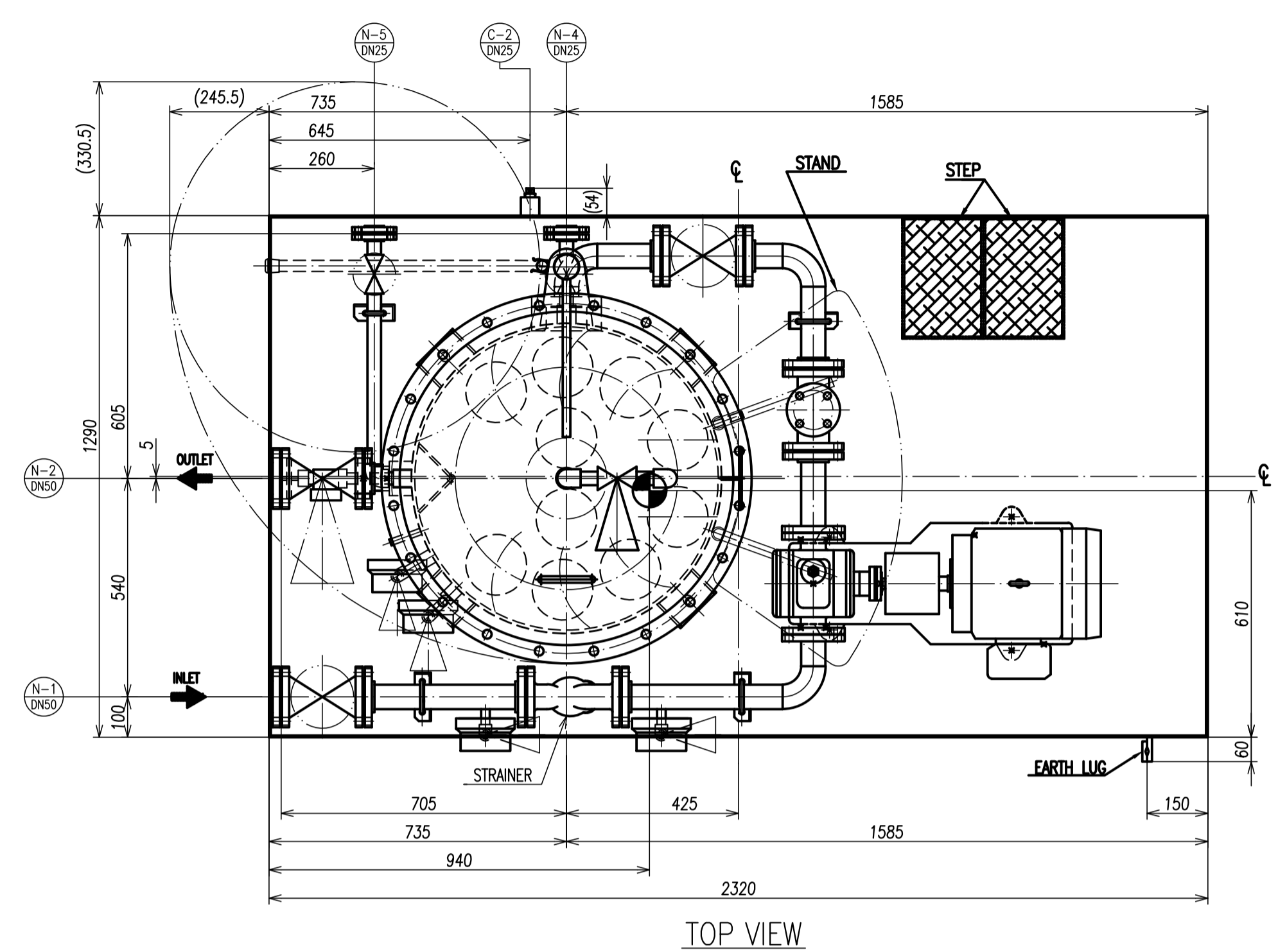


コノ図面ヲ指定スル規格・標準等ヲ
 発行年・変更記号ノ指示ガイマノハ
 最新版ヲ適用スルコト



NOTES

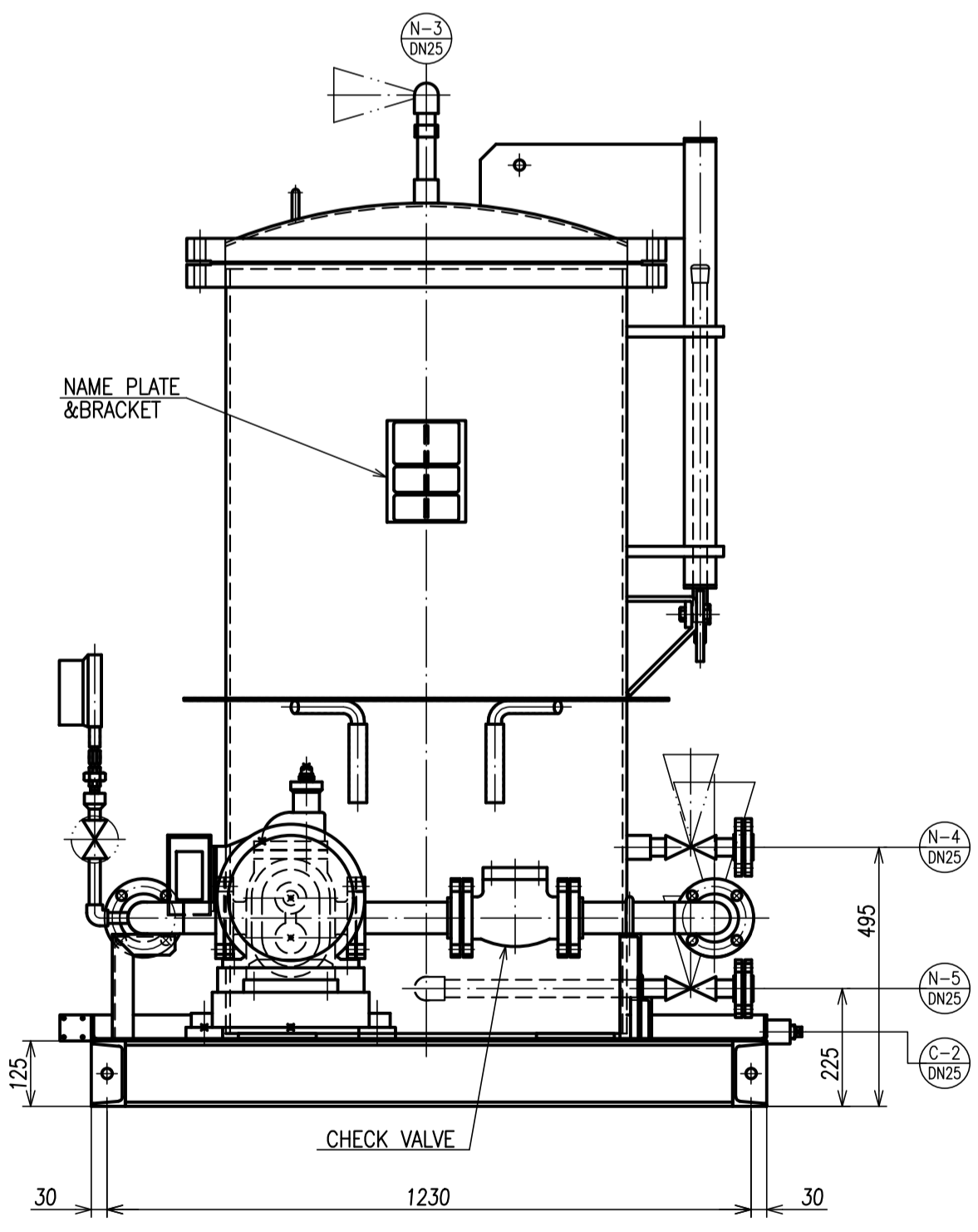
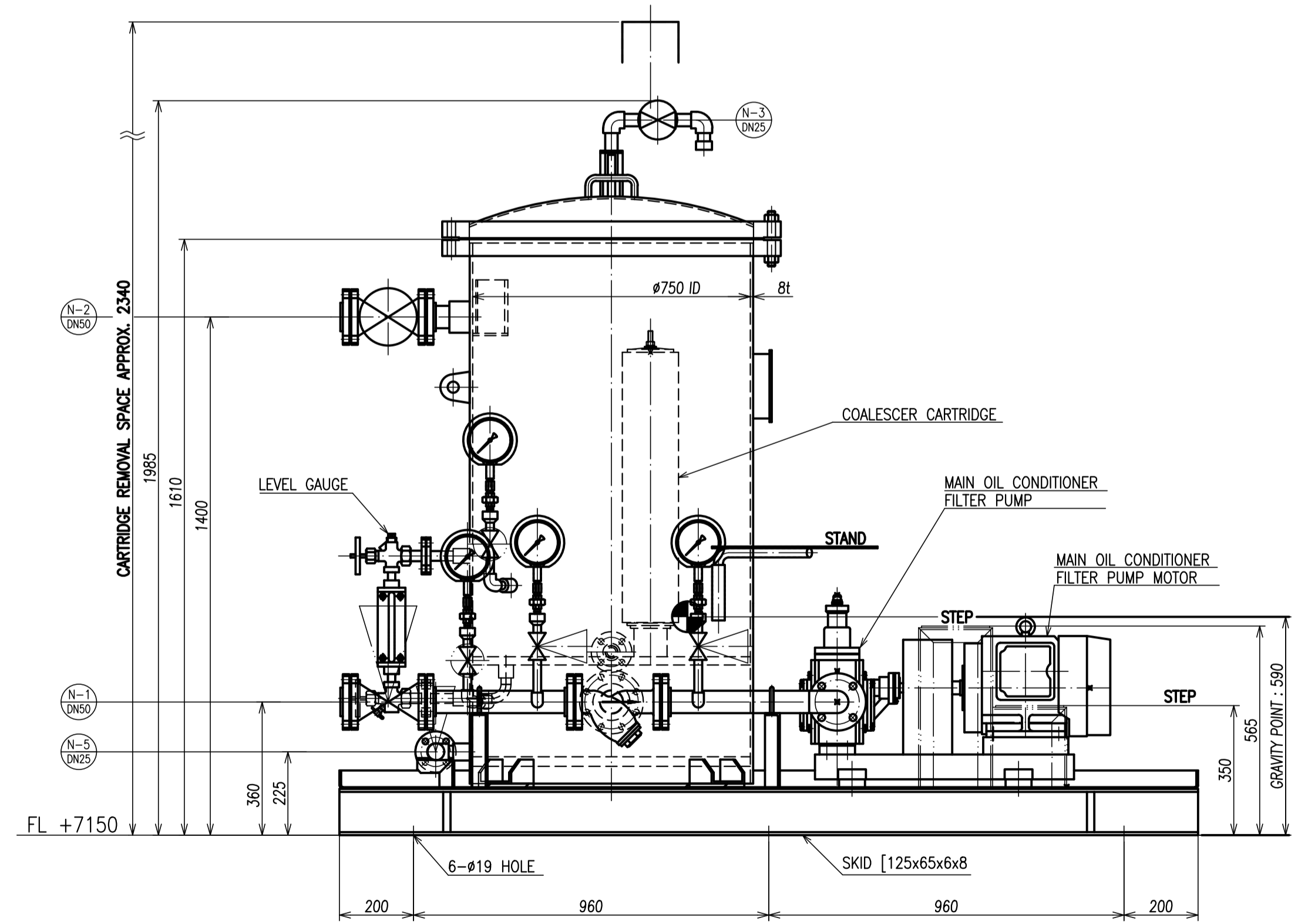
- APPROX. WEIGHT : 2000 kg (OPERATING)
: 1500 kg (EMPTY)
- REFERENCE DRAWING
Foundation Drawing For Main Oil Conditioner Unit
: TJB56-L1-OFF-C-MAV-C-DFN-3039 (2KT119530)
GENERAL ARRANGEMENT OF STEAM TURBINE BUILDING
: TJB56-L1-OFF-C-00-M-DGA-2801 (OGMH00403)
PIPING & INSTRUMENT DIAGRAM FOR STEAM TURBINE AND
BFPT LUBE OIL CONDITIONING SYSTEM.
: TJB56-L1-OFF-C-LAV-M-PID-2127 (2KW010259)
- PUMP SPECIFICATION
• NORMAL FLOW RATE : 10000L/h
• DISCHARGE PRESSURE : 3.4bar(g)
• RELIEF SET PRESSURE : 3.7bar(g)
- MARK SHOWS THE CENTER OF GRAVITY AT EMPTY CONDITION.
- THIS DRAWING SHOWS KKS NUMBER FOR UNIT 5 ONLY
FOR UNIT 6 REPLACE TOTAL PLANT CODE (50) WITH "60"
- THE ARRANGEMENT IS APPLICABLE FOR BOTH UNITS, UNITS 5 AND UNIT 6.
- DESIGN DATA
DESIGN PRESSURE : 3.7 bar(g)
DESIGN TEMPERATURE : 79 °C

NOZZLE LIST

SYMBOL	SERVICE NAME	RATING	SIZE	Q'TY	REMARKS
C-2	DRAIN (SKID)	ASME#3000	Rc 1	1	WITH PLUG
N-5	DRAIN (OIL)	ASME#150 RF	DN25 S/80	1	WITH COMPANION FLANGE
N-4	DRAIN (WATER)	ASME#150 RF	DN25 S/80	1	WITH COMPANION FLANGE
N-3	FILTER VENT	ASME#3000	R1	1	WITH CAP
N-2	OUTLET	ASME#150 RF	DN50 S/80	1	WITH COMPANION FLANGE
N-1	INLET	ASME#150 RF	DN50 S/80	1	WITH COMPANION FLANGE

EQUIPMENT NAME	KKS NUMBER	SPECIFICATION
MAIN OIL CONDITIONER COALESCER	50MAV90 ATO01	WATER REMOVE 10000→500ppm*
MAIN OIL CONDITIONER FILTER PUMP	50MAV90 AP001	166.7L/min, 3.4bar(g)
MAIN OIL CONDITIONER FILTER PUMP MOTOR	50MAV90 AP001-M01	3.7kW, 1000rpm(SS)

* AFTER 5 CYCLE OPERATION



SIDE VIEW (LONG SIDE)

SIDE VIEW (SHORT SIDE)

ISSUED FOR AS-BUILT

REV	DATE	DESCRIPTION	BY	CHKD	APPD
1	JAN.25.22	FOR AS-BUILT	TI	SM	SM
0	APR.03.18	ISSUED FOR CONSTRUCTION	TI	YH	YH

OWNER: PT.Bhumi Jati Power

PROJECT TITLE: TANJUNG JATI B EXPANSEKON (JAWA-4) COAL FIRED STEAM POWER PLANT 2 x 1000 MW

OWNER'S ENGINEER: Pöyry

EPC CONTRACTORS: Sumitomo Corporation, PT. Wasa Mitra Engineering, AvantPower Japan Ltd.

PROJECT DRAWING NO.: TJB56-L1-OFF-C-MAV-M-DRD-2653

REV: 1

APPD: YH, SCALE: 1:12, TITLE: Outline Drawing for Oil Conditioner

BY: TOSHIBA, T.T. UNITS: m, m/m, ECUPLM/SI/200

EPC LOT SUB-CONTRACTOR: TOSHIBA

EPC LOT SUB-CONTRACTOR DRAWING NO.: 1KT004225

SHEET NO.: 1 OF 1

The information in this material is confidential and contains our intellectual property including know-how. It shall not be disclosed to any third party, copied, reproduced, used for unauthorized purposes nor modified without prior written consent of us. And please get them back this document after you have done with it. Toshiba Energy Systems & Solutions Corporation Kelnin Product Operations

DRS-A015445	DRS-A014434	DRS-T014315	DRS-T013930	NDS-A515869	承認 APPROVED BY	調査 REVIEWED BY	名称 TITLE
S.Iitatabe JUN.-31.'22	Y.Nakamura APR.-03.'18	Y.Kono JUN.-16.'18	Y.Nakamura JUN.-22.'18	承認 APPROVED BY Y.Kono	調査 REVIEWED BY Y.Kono	調査 REVIEWED BY Y.Nakamura	Outline Drawing for Oil Conditioner
S.Iitatabe JUN.-31.'22	R.Iwasaki APR.-03.'18	S.Horii JUN.-16.'18	Y.Nakamura JUN.-22.'18	調査 REVIEWED BY T.Tsunekawa	調査 REVIEWED BY Y.Nakamura	調査 REVIEWED BY T.Tsunekawa	TANJUNG JATI "B" Re-Expansion Project UNIT 5&6 2x1000MW
E.II JUN.-28.'22	T.Tsunekawa APR.-03.'18	D.Motoya JUN.-16.'18	T.Tsunekawa JUN.-22.'18	担当 PREPARED BY T.Tsunekawa	担当 PREPARED BY Y.Nakamura	担当 PREPARED BY T.Tsunekawa	図面番号 DRAWING NO. 1KT004225
For AS-BUILT	D.II XIT05 ISSUED FOR CONSTRUCTION	C.II XIT05 Revised as per design progress.	B.II XIT05 Revised as per design progress.	REVISIONS	REVISIONS	REVISIONS	REV. MARK E

TOSHIBA 東芝エネルギーシステムズ株式会社
 TOSHIBA ENERGY SYSTEMS & SOLUTIONS CORPORATION
 尺量 SCALE 1:12
 単位 UNIT m
 標準 STANDARD JIS PLANSI/200
 承認 APPROVED BY Y.Kono APR.-04.'18
 調査 REVIEWED BY Y.Nakamura APR.-04.'18
 調査 REVIEWED BY T.Tsunekawa APR.-04.'18
 図面番号 DRAWING NO. 1KT004225
 訂正記号 REV. MARK E
 電子承認システム適用