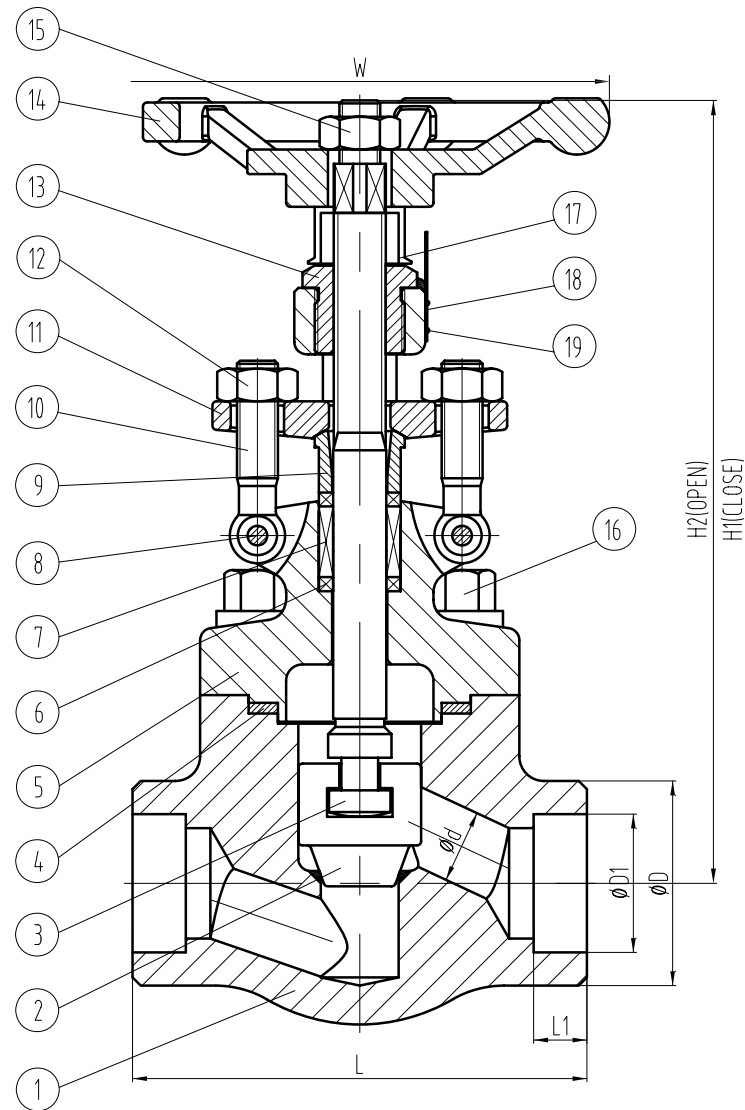


Refer next page about valve TAG



DESIGN STANDARD	ASME B16.34
FACE TO FACE	MANUFACTURER'S STANDARD
CONNECTION TYPE	ASME B16.11 SW
INSPECTION & TESTING	API598

SIZE		L	H1	H2	d	D	W	D1	L1
DN	in								
15	1/2"	79	166	176	10	32	100	21.8	9.5
20	3/4"	92	166	176	13	38	100	27.2	12.5
25	1"	111	200	216	17.5	46	125	33.9	12.5
32	1 1/4"	120	240	258	23	56	160	42.7	12.5
40	1 1/2"	152	252	272	28.5	62	160	48.8	12.5
50	2"	172	291	316	35	76	180	61.2	16

19	RIVET	STAINLESS STEEL	
18	INDICATOR SCALE	STAINLESS STEEL	
17	INDICATOR	A108-1045	
16	Bolt	A193-B7	
15	Handweel Nut	A194-2H	
14	HandWheel	A197	
13	Stem Nut	A276-410	
12	EyeBolt Nut	A194-2H	
11	GLAND FLANGE	A105N	
10	EyeBolt	A193-B7	
9	Gland	A276-420	
8	Pin	A276-410	
7	Packing	FLEXIBLE GRAPHITE	
6	Packing	FLEXIBLE GRAPHITE+S.S. WIRE	
5	Bonnet	A105M	
4	Bonnet Gasket	SPIRL WOUNDED GRAPHITE+304	
3	Stem	A182-F6a	
2	Disc	A182-F6a+STL	
1	Body	A105M+STL	
No	Name	Material	Remark

1	M.L.L	Z.C	2019.02.01		
0	M.L.L	Z.C	2018.12.23	NOMINAL PRESSURE	600lb
Rev.	DESIGNER	CHECKER	DATE	NOMINAL SIZE	1/2"~2"
GLOBE VALVE				DRAWING NO.	J65A2C
SUFA TECHNOLOGY INDUSTRY CO., LTD					

