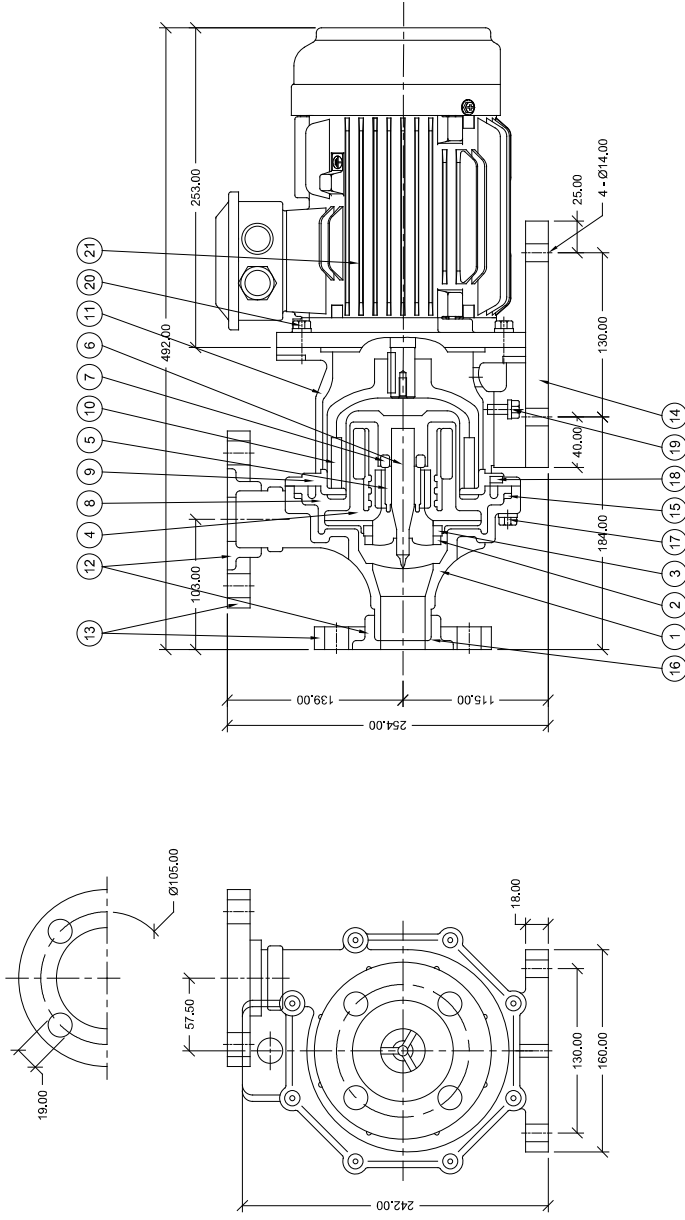


OUTLINE DRAWING FOR ACID METERING PUMP  
(00LDN90 / 95 AP010)



19	Socket Head Cap Screw (M6 x 25)	4	SUS 304	-	
18	Socket Head Cap Screw (M6 x 12)	6	SUS 304	-	
17	Hex Bolts (M8x35 / 60)	8	SUS 304	-	
16	O-Ring (AS568 - 129)	2	FPM	-	
15	O-Ring (G160)	1	FPM	-	
14	Base	1	GFR PP	-	
13	Flange	2	GFR PP (ANSI 150)	-	
12	Lap Joint	2	CFR ETFE	-	
11	Bracket	1	FC200	-	
10	Outer Magnet	1	FCD450-10 + Magnet	-	
9	Rear Casing Support	1	FC200	-	
8	Rear Casing	1	CFR ETFE	-	
7	Rear Thrust Ring	1	Ceramics	-	
6	Shaft	1	Ceramics	-	
5	Bushing (Bearing)	1	PTFE	-	
4	Impeller	1	CFR ETFE + Magnet	-	
3	Mouth Ring	1	CFR PTFE	-	
2	Linear Ring	1	Ceramics + CFR ETFE	-	
1	Front Casing	1	CFR ETFE	-	
No.	PART NAME	QTY	MATERIAL		NOTE

TITLE	Magnet Driven PUMP "Chemi - Free"
MODEL	YD - 401GSF - RD52
WEIGHT	Pump 20.5kg Motor 16.5kg

Bore Size	Suc 40A / Dis 40A
Total Head	10m
Capacity	56.7 L/min
Motors	0.75 kW SUPERB 3PH / 380V / 50Hz
Liquid	Name HCl 33% Conc. S.G.1.2