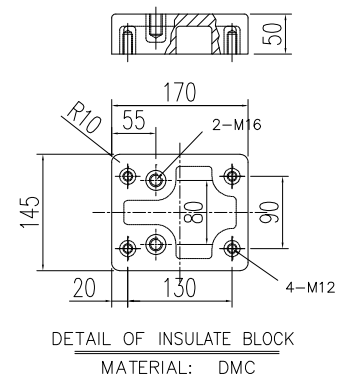


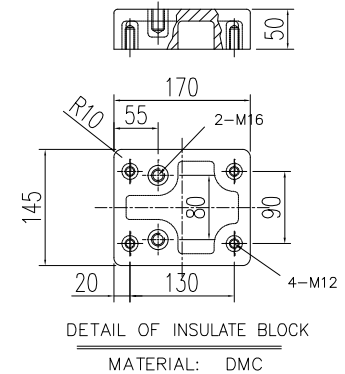
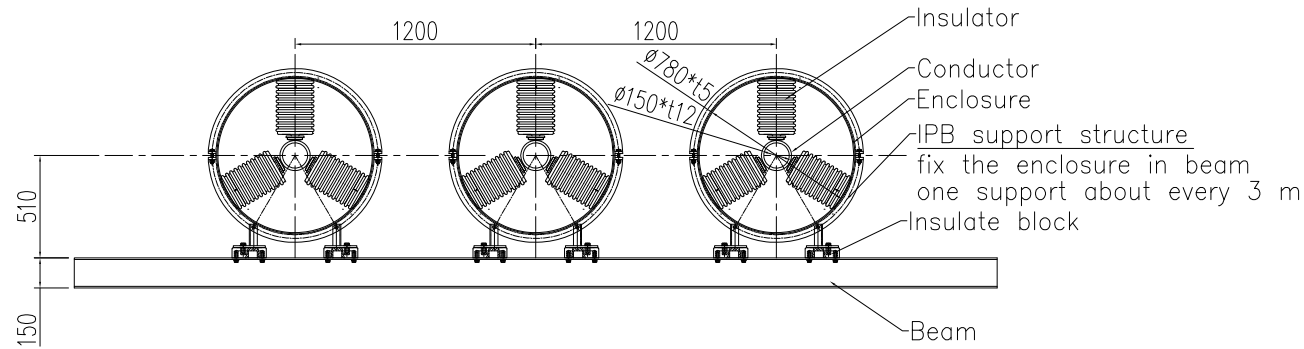
Rated Voltage: 26 kV  
 Rated Current : 30000A  
 Impulse Withstand Voltage : 170kV  
 Power Frequency Withstand Voltage : 70kV  
 Total Weight Per Meter: 1050kg/three-ph-m  
 Grounding methods: single grounding  
 Ambient temperature: 40°C

Maximum permit temperature of conductor: 105°C  
 Maximum permit temperature of enclosure: 70°C  
 Type of cooling: self-cooled



|   |                   |  |
|---|-------------------|--|
| <b>Daqo</b> 江苏大全封闭母线有限公司<br>JIANGSU DAQO ENCLOSED BUSBAR SYSTEMS CO.,LTD.                     |                   | 设计阶段: First Edition<br>DESIGN STAGE:       |
| 工程名称: TANJUNG JATI B EXPANSION (JAWA-4)<br>PROJECT: COAL FIRED STEAM POWER PLANT 2 x 1,000 MW |                   | 设计编码:<br>ERP CODE:                         |
| 设计:<br>DSCD: chen   | 校核:<br>CHKD: li   | 图纸名称 DESCRIPTION:<br>IPB Sectional Drawing |
| 审核:<br>RVWD: liu  | 批准:<br>APPRD: lin |  |
| 日期:<br>DATE: 2018.8.7   | 比例:<br>SCALE: 1:1 | 图号<br>DWG No.: DAQO-TJB-LX002              |
|   |                   | 页码:<br>SH: 1/2<br>版本:<br>REV: 2            |

For Tap-off Circuit (Branch point-EXT-UAT)



Rated Voltage: 26 kV  
 Rated Current : 4500A  
 Impulse Withstand Voltage : 170kV  
 Power Frequency Withstand Voltage : 70kV  
 Total Weight Per Meter: 210kg/three-ph-m  
 Grounding methods: single grounding  
 Ambient temperature: 40℃  
 Maximum permit temperature of conductor: 105℃  
 Maximum permit temperature of enclosure: 70℃  
 Type of cooling: self cooled

|   |                  |  |
|---|------------------|--|
| <b>Daqo</b> 江苏大全封闭母线有限公司<br>JIANGSU DAQO ENCLOSED BUSBAR SYSTEMS CO.,LTD.                     |                  | 设计阶段: First Edition<br>DESIGN STAGE:       |
| 工程名称: TANJUNG JATI B EXPANSION (JAWA-4)<br>PROJECT: COAL FIRED STEAM POWER PLANT 2 x 1,000 MW |                  | 设计编码:<br>ERP CODE:                         |
| 设计:<br>DSCD:  | 校核:<br>CHKD:     | 图纸名称 DESCRIPTION:<br>IPB Sectional Drawing |
| 审核:<br>RVWD:  | 批准:<br>APPRD:    |  |
| 日期:<br>DATE:  | 比例:<br>SCALE 1:1 | 图号<br>DWG No.: DAQO-TJB-LX002              |
|   |                  | 页码:<br>SH: 2/2<br>版本:<br>REV: 2            |