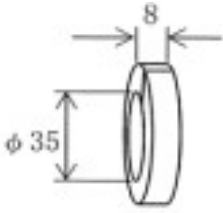
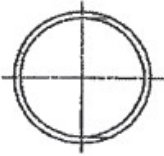


TOSHIBA

10 TJB5-IS- MECH- CVP-009	GLAND PACKING		Refer to LST-GMH- XIT05-0012	1set:5pcs
11 TJB5-IS- MECH- CVP-010	PACKING		Refer to LST-GMH- XIT05-0012	—