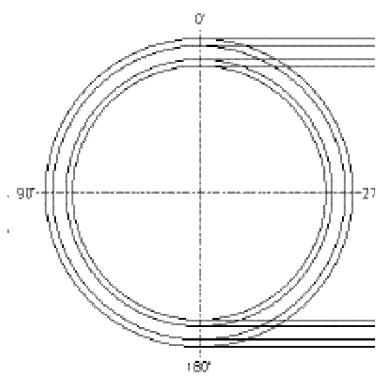


EQ/SYS.			USE	
LP Heater Drain tank			Gaskets for maintenance	
No.	Description	OUTLINE	QUANTITY per 2 units	REMARKS
TJB5-IS-MECH-HDT-001	Manhole gasket		Refer to TJB56-L1- OFF-C-00-G- LST-0021	ASME B16.21-2011 DN600 Class 150 RF t3mm Asbestos Free Gasket T/#1993