
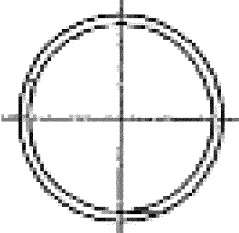

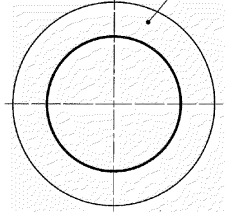



TOSHIBA

15	GLAND PACKING		Refer to TJB56-L1 -OFF-C -00-G-LST -0021	$8 \times \phi 35 \times 5$
16	PACKING		Refer to TJB56-L1 -OFF-C -00-G-LST -0021	
17	BALL BEARING		Refer to TJB56-L1 -OFF-C -00-G-LST -0021	6306ZZ/L448
18	DEFLECTOR		Refer to TJB56-L1 -OFF-C -00-G-LST -0021	NBR
19	SHAFT SLEEVE		Refer to TJB56-L1 -OFF-C -00-G-LST -0021	SUS304