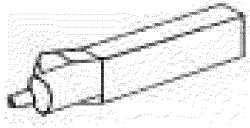
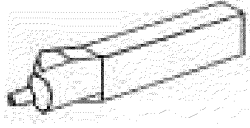
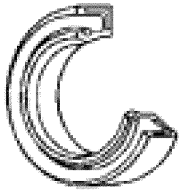
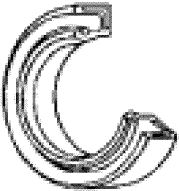


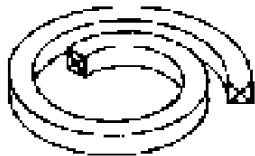
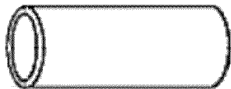



# TOSHIBA



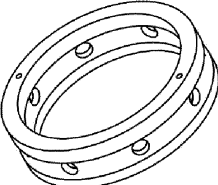
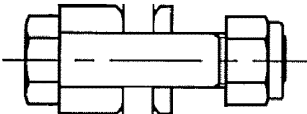
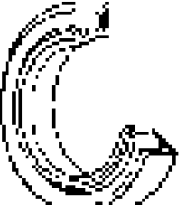
## Strategic Spare Parts List

EQ/SYS.		USE		
CONDENSER VACUUM PUMP A/B #5&6				
No.	Description	OUTLINE	QUANTITY	REMARKS
1	LIQUID GASKET		Refer to TJB56-L1 -OFF-C -00-G-LST -0021	No.1215
2	LIQUID GASKET		Refer to TJB56-L1 -OFF-C -00-G-LST -0021	No.1207B
3	OIL SEAL		Refer to TJB56-L1 -OFF-C -00-G-LST -0021	SB11014014
4	OIL SEAL		Refer to TJB56-L1 -OFF-C -00-G-LST -0021	SB15518515


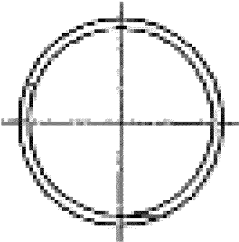

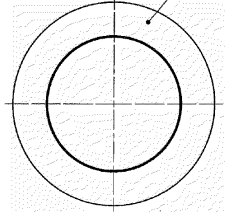

# TOSHIBA

5	O RING		Refer to TJB56-L1 -OFF-C -00-G-LST -0021	G180
6	O RING		Refer to TJB56-L1 -OFF-C -00-G-LST -0021	Gs160
7	GLAND PACKING		Refer to TJB56-L1 -OFF-C -00-G-LST -0021	□22 × L11000
8	SHAFT SLEEVE		Refer to TJB56-L1 -OFF-C -00-G-LST -0021	SUS304
9	ROLLER BEARING		Refer to TJB56-L1 -OFF-C -00-G-LST -0021	NU324

# TOSHIBA

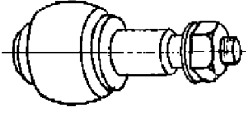
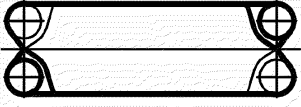
10	BALL BEARING		Refer to TJB56-L1 -OFF-C -00-G-LST -0021	No.52217
11	BALL CHECK VALVE		Refer to TJB56-L1 -OFF-C -00-G-LST -0021	φ 40
12	LANTERN RING		Refer to TJB56-L1 -OFF-C -00-G-LST -0021	SUS304
13	COUPLING BOLT with BUSH and NUT		Refer to TJB56-L1 -OFF-C -00-G-LST -0021	
14	OIL SEAL		Refer to TJB56-L1 -OFF-C -00-G-LST -0021	NBR

# TOSHIBA

15	GLAND PACKING		Refer to TJB56-L1 -OFF-C -00-G-LST -0021	$8 \times \phi 35 \times 5$
16	PACKING		Refer to TJB56-L1 -OFF-C -00-G-LST -0021	
17	BALL BEARING		Refer to TJB56-L1 -OFF-C -00-G-LST -0021	6306ZZ/L448
18	DEFLECTOR		Refer to TJB56-L1 -OFF-C -00-G-LST -0021	NBR
19	SHAFT SLEEVE		Refer to TJB56-L1 -OFF-C -00-G-LST -0021	SUS304

# TOSHIBA

---

20	COUPLING BOLT with BUSH and NUT		Refer to TJB56-L1 -OFF-C -00-G-LST -0021	
21	PLATE GASKET		Refer to TJB56-L1 -OFF-C -00-G-LST -0021	NBR