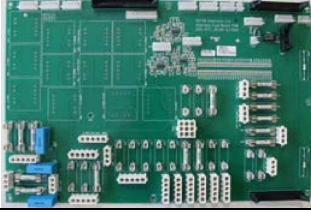
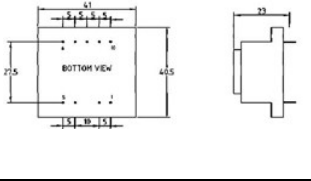
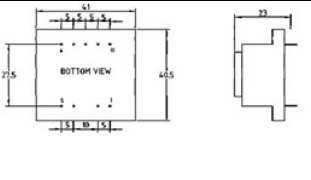
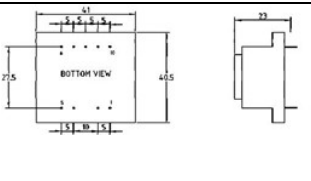
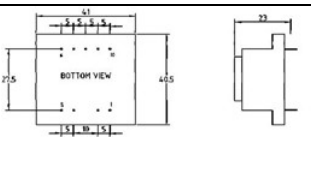
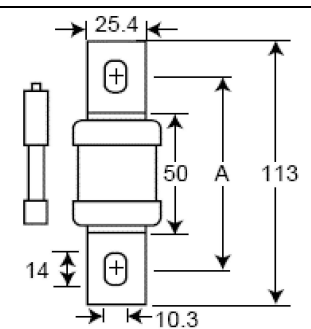


COMMON UNIT

EQ/SYS.			USE	
UPS			SPARE	
No.	Description	OUTLINE	QUANTITY	REMARKS
TJB0-SS-I&C -UPS-001	XXW I/F BOARD 220VDC		1 pcs	0P2405
TJB0-SS-I&C -UPS-002	XFMR SAF ISOL-15% 216-251VAC+10 % IEC/UL		3 pcs	430-0048B
TJB0-SS-I&C -UPS-003	XFMR SAF ISOL-15% 216-251VAC+10 % IEC/UL		3 pcs	430-0048B
TJB0-SS-I&C -UPS-004	XFMR SAF ISOL-15% 216-251VAC+10 % IEC/UL		3 pcs	430-0048B
TJB0-SS-I&C -UPS-005	XFMR SAF ISOL-15% 216-251VAC+10 % IEC/UL		3 pcs	430-0048B
TJB0-SS-I&C -UPS-006	SEMIC Fuse 350A 690VAC		3 pcs	515-3350