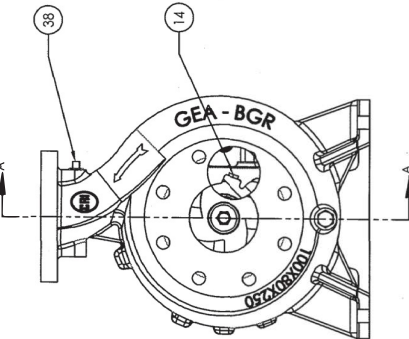


REVISION TABLE	
ZONE	PART REV.
-	A
-	B
EC/JCC NO.	APPROVED
28/05/2018	NR
ECO - SSO	04/07/2018
NR	NR

MASTER COPY
 Issue Date: 04.09.18.
 Signature: P.K.



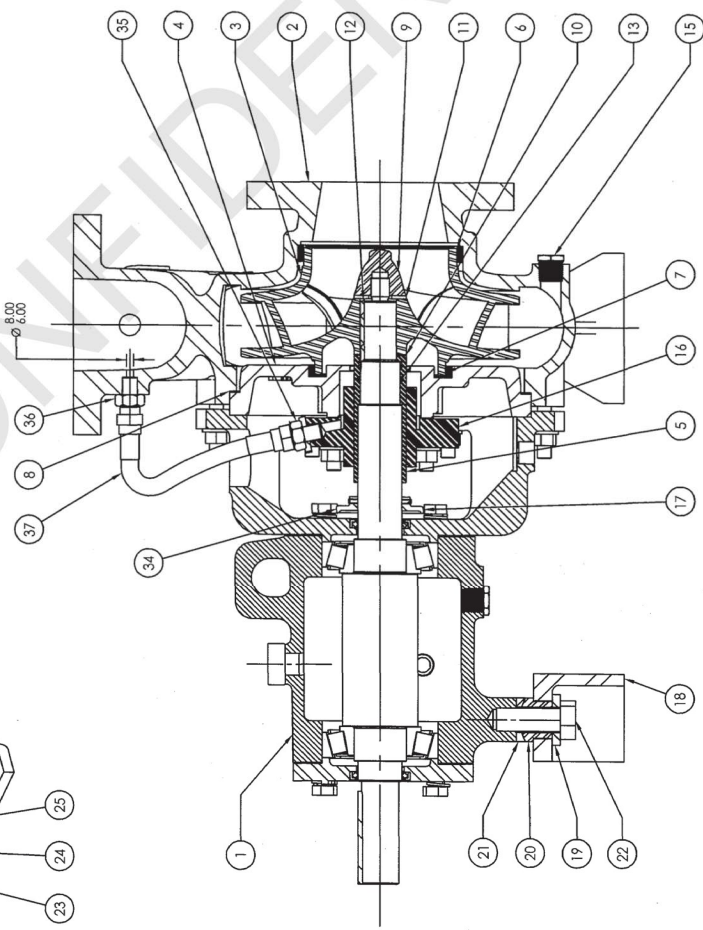
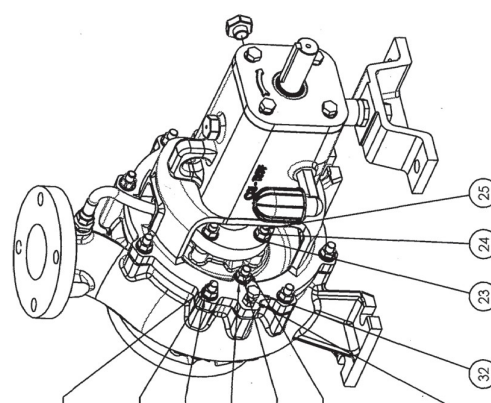
1	SPRINT PARTID	QTY: 4 NOS
2	SPRINT PARTID	
3	SPRINT PARTID	
4	SPRINT PARTID	
GEA REF PO NO: 1100016313 Dt: 23.05.18		
PROJECT NAME: TANJUNG JATI		

ITEM NO.	DESCRIPTION	MATERIAL	QTY.
36	SO. PLUG 1/2" BSP (CASING PRESSURE GAUGE)	UNS S31803 DUPLEX	1
37	3/8" X 260MM FLEXIBLE POLYHOSE PIPE WITH FEMALE DUPLEX ADAPTER	UNS S31803 DUPLEX	1
38	HEX NIPPLE 3/8" M X 1/4" M	UNS S31803 DUPLEX	1
35	HEX NIPPLE 3/8" M X 1/4" M	UNS S31803 DUPLEX	1
34	GRUB SCREW M4 - 8LG	ASTM A 276 TYPE 316	2
33	HEX NUT M10 X 1.5	ASTM A 276 TYPE 316	2
32	HEX BOLT M10 X 1.5	ASTM A 276 TYPE 316	2
31	STUD M12 X 1.75	UNS S31803 DUPLEX	2
30	HEX NUT M12 X 1.75	UNS S31803 DUPLEX	2
29	MACHINED WASHER M12	UNS S31803 DUPLEX	2
28	STUD M12 X 1.75	UNS S31803 DUPLEX	2
27	HEX NUT M12 X 1.75	UNS S31803 DUPLEX	2
26	MACHINED WASHER M12	UNS S31803 DUPLEX	2
25	STUD M12 X 1.75	UNS S31803 DUPLEX	2
24	HEX NUT M12 X 1.75	UNS S31803 DUPLEX	2
23	MACHINED WASHER M12	UNS S31803 DUPLEX	2
22	HEX BOLT M20X2.5X55 LG	ASTM A 276 TYPE 316	1
21	TOP WASHER	ASTM A 276 TYPE 316	1
20	CENTER BUSH	ASTM A 276 TYPE 316	1
19	BOTTOM WASHER	ASTM A 276 TYPE 316	1
18	PUMP BOTTOM BRACKET	ASTM A536 DUCTILE IRON	1
17	DEFLECTOR	PIPE	1
16	EAGLE BURMANN CARTEX MECHANICAL SEAL - SNV45	Carrex QI QI EMG1 (329)	1
15	HEX PLUG 1/2" BSP (CASING DRAIN)	UNS S31803 DUPLEX	1
14	SO. PLUG 1/4" BSP (STUFFING BOX DRAIN)	UNS S31803 DUPLEX	1
13	O RING ID 024 X C/5003	NIPRENE	1
12	PARALLEL KEY - B7X60 LG (R/F)	ASTM A 276 UNS 31803	1
11	IMPELLER GASKET	PIPE	1
10	SLEEVE GASKET	PIPE	1
9	IMPELLER NUT	ASTM A 890CG; CD4MCU N GR.1B	1
8	GASKET CASING	PIPE	1
7	BACK WEAR RING	ASTM A 890CG; CD4MCU N GR.1B	1
6	FRONT WEAR RING	ASTM A 890CG; CD4MCU N GR.1B	1
5	SLEEVE SHAFT	ASTM A 276 UNS 31803	1
4	STUFFING BOX	ASTM A 890CG; CD4MCU N GR.1B	1
3	IMPELLER	ASTM A 890CG; CD4MCU N GR.1B	1
2	BEARING FRAME ASSEMBLY W65 UNS S31803	REFER DRAWING INQW65BFA5X03SA	1

BARE SHAFT PUMP ASSEMBLY
UNS 31803
(BRP - 100 X 80 X 250)

DATE: 04/07/2018
 DRAWN BY: P.K.
 CHECKED BY: P.K.

SCALE: N.T.S. SHEET NO: A3 SHEET: 1 OF 1



Unauthorized reproduction when printed or downloaded. Verify that this is the correct version before use. Reproduction of part or all the contents of the document is prohibited without written permission from PT. Bhumi Jepara Service

GEA REF PO NO: 1100016313 Dt: 23.05.18	PROJECT NAME: TANJUNG JATI	QTY: 8 NOS
--	----------------------------	------------

（京浜）図面管理室 - 2022.02.16 電子承認システム適用