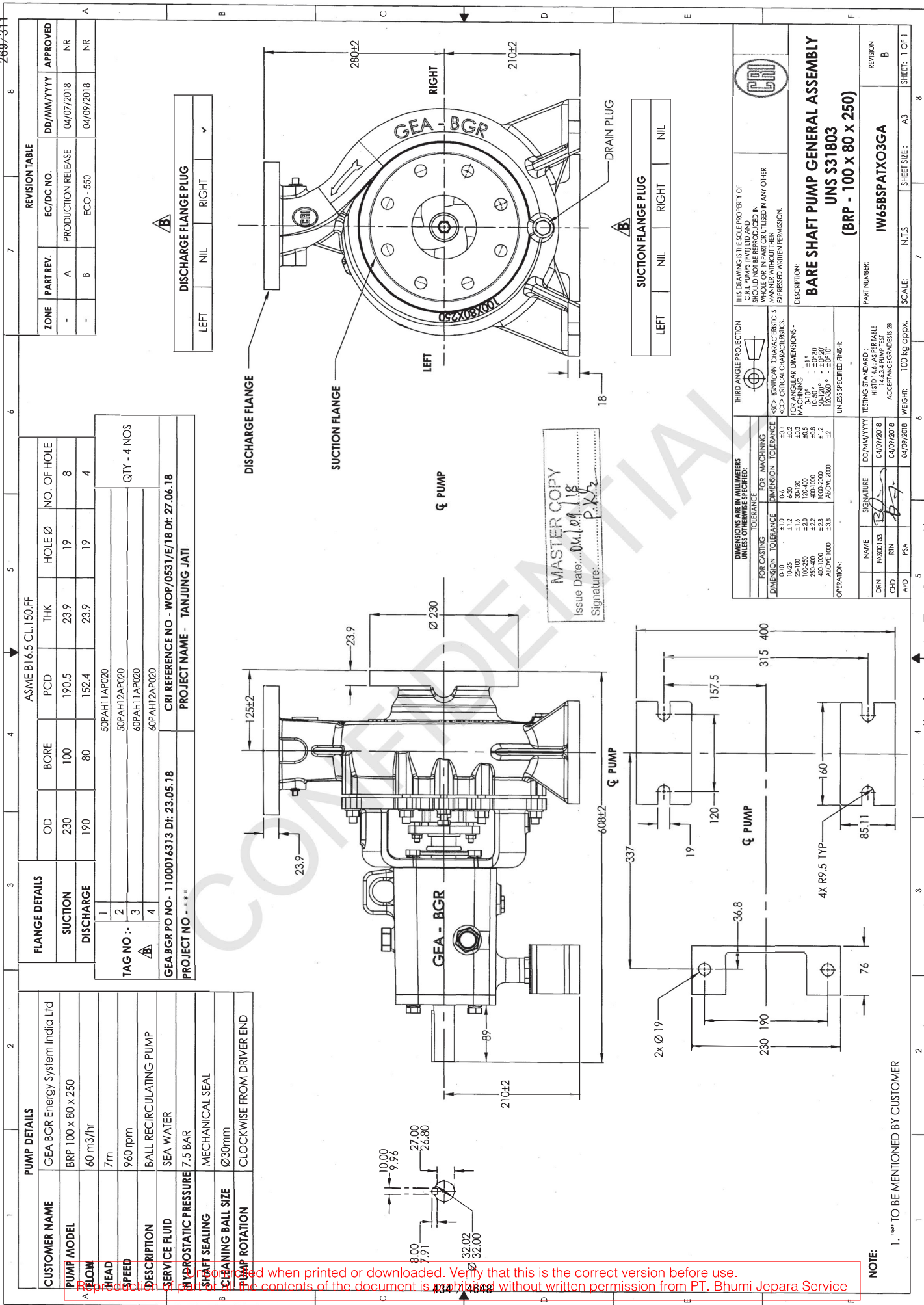


EKV601986-d
269-311



REVISION TABLE			
ZONE	PART REV.	EC/DC NO.	DD/MM/YYYY APPROVED
-	A	PRODUCTION RELEASE	04/07/2018 NR
-	B	ECO - 550	04/09/2018 NR

DISCHARGE FLANGE PLUG			
LEFT	NIL	RIGHT	✓

SUCTION FLANGE PLUG			
LEFT	NIL	RIGHT	NIL

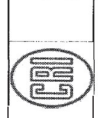
FLANGE DETAILS						
ASME B16.5 CL. 150.FF	OD	BORE	PCD	THK	HOLE Ø	NO. OF HOLE
SUCTION	230	100	190.5	23.9	19	8
DISCHARGE	190	80	152.4	23.9	19	4

TAG NO. :-	DESCRIPTION	QTY - 4 NOS
1	50PAH11AP020	
2	50PAH12AP020	
3	60PAH11AP020	
4	60PAH12AP020	

GEA BGR PO NO. - 1100016313 DI: 23.05.18	CRI REFERENCE NO. - WOP/0531/E/18 DI: 27.06.18
PROJECT NO. - 110111	PROJECT NAME - TANJUNG JATI

PUMP DETAILS	
CUSTOMER NAME	GEA BGR Energy System India Ltd
PUMP MODEL	BRP 100 x 80 x 250
FLOW	60 m ³ /hr
HEAD	7m
SPEED	960 rpm
DESCRIPTION	BALL RECIRCULATING PUMP
SERVICE FLUID	SEA WATER
HYDROSTATIC PRESSURE	7.5 BAR
SHAFT SEALING	MECHANICAL SEAL
CLEANING BALL SIZE	Ø30mm
PUMP ROTATION	CLOCKWISE FROM DRIVER END

MASTER COPY
Issue Date: 04/09/18
Signature: P.K.S.



THIS DRAWING IS THE SOLE PROPERTY OF C.R.L. PUMPS (PVT) LTD AND SHOULD NOT BE REPRODUCED IN ANY MANNER WITHOUT THEIR EXPRESSED WRITTEN PERMISSION.

DESCRIPTION:
BARE SHAFT PUMP GENERAL ASSEMBLY
UNS S31803
(BRP - 100 x 80 x 250)

PART NUMBER:
IW65BSPATXO3GA

REVISION
B

SCALE: N.I.S
SHEET SIZE: A3
SHEET: 1 OF 1

DIMENSIONS ARE IN MILLIMETERS UNLESS OTHERWISE SPECIFIED:	
FOR CASTING	FOR MACHINING
DIMENSION	TOLERANCE
0-10	±0.1
10-25	±0.2
25-50	±0.3
50-100	±0.4
100-200	±0.5
200-400	±0.6
400-1000	±0.8
ABOVE 1000	±1.2
OPERATION:	±2

NAME	SIGNATURE	DD/MM/YYYY
DIN	[Signature]	04/09/2018
CHD	[Signature]	04/09/2018
APD	[Signature]	04/09/2018

TESTING STANDARD :
HISTD 146: AS PER TABLE 14.6.3.4 PUMP TEST
ACC/FAN/CE/GRAD/IS/28

NOTE:
1. ⁽¹⁾ TO BE MENTIONED BY CUSTOMER

EKV601986-d
270-311

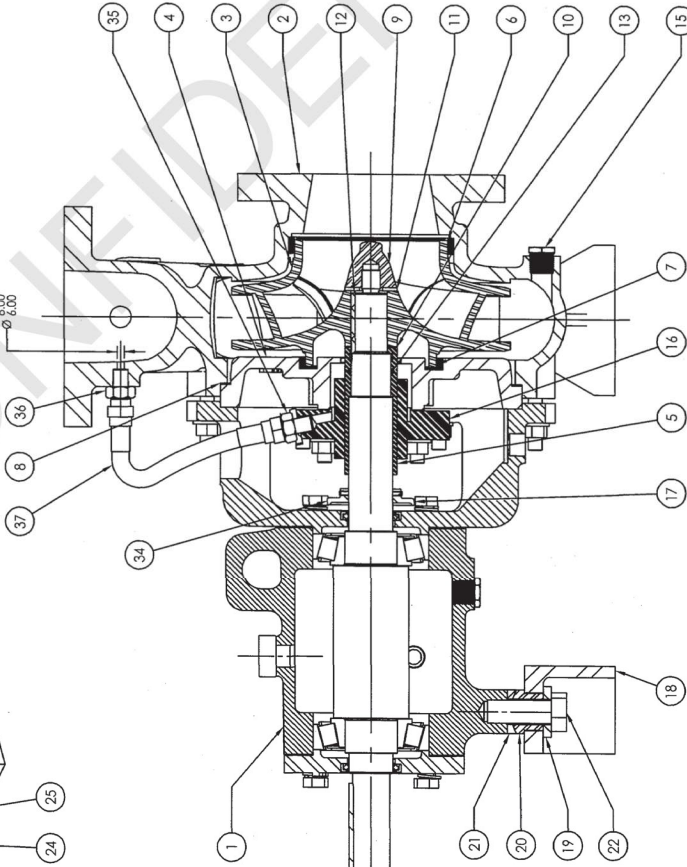
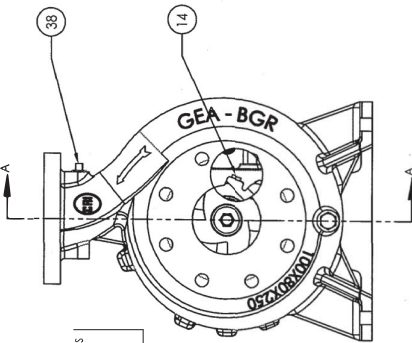
REVISION TABLE		DD/MM/YYYY	APPROVED
ZONE	PART REV	EC/DC NO.	NR
-	A	PRODUCTION RELEASE	28/05/2018
-	B	ECO - 550	04/07/2018

MASTER COPY
Issue Date: 04.09.18
Signature: P.K.

SP/PAH1/AR/20
SP/PAH1/AR/20
SP/PAH1/AR/20
SP/PAH1/AR/20
QTY - 4 NOS

GEA BGR PO NO - 1100014313 DI: 23.05.18
PROJECT NAME - TANJUNG JATI

CRJ REFERENCE NO - WOP/0531/E/18 DI: 27.06.18
PROJECT NAME - TANJUNG JATI



ITEM NO.	DESCRIPTION	MATERIAL	QTY.
38	SO PLUG 1/2" BSP (CASING PRESSURE GAUGE)	UNS S31803 DUPLX	1
37	3/8" X 260MM FLEXIBLE POLYHOSE PIPE WITH FEMALE DUPLX ADAPTER	UNS S31803 DUPLX	1
36	HEX NIPPLE 3/8" M X 1/4" M	UNS S31803 DUPLX	1
35	HEX NIPPLE 3/8" M X 1/4" M	UNS S31803 DUPLX	1
34	GRUB SCREW M4 - 8LG	ASTM A 276 TYPE 316	2
33	HEX NUT M10 X 1.5	ASTM A 276 TYPE 316	2
32	HEX BOLT M10 X 1.5	ASTM A 276 TYPE 316	2
31	STUD M12 X 1.75	UNS S31803 DUPLX	2
30	HEX NUT M12 X 1.75	UNS S31803 DUPLX	2
29	MACHINED WASHER M12	UNS S31803 DUPLX	2
28	STUD M12 X 1.75	UNS S31803 DUPLX	8
27	HEX NUT M12 X 1.75	UNS S31803 DUPLX	8
26	MACHINED WASHER M12	UNS S31803 DUPLX	8
25	STUD M12 X 1.75	UNS S31803 DUPLX	4
24	HEX NUT M12 X 1.75	UNS S31803 DUPLX	4
23	MACHINED WASHER M12	UNS S31803 DUPLX	4
22	HEX BOLT M20X2.5X45 LG	ASTM A 276 TYPE 316	1
21	TOP WASHER	ASTM A 276 TYPE 316	1
20	CENTER BUSH	ASTM A 276 TYPE 316	1
19	BOTTOM WASHER	ASTM A 276 TYPE 316	1
18	PUMP BOTTOM BRACKET	ASTM A536 DUCTILE IRON	1
17	DEFLECTOR	PITE	1
16	EAGLE BURMANN CARTEX MECHANICAL SEAL - S/M/4S	Carrex OI QI EMG1 (929)	1
15	HEX PLUG 1/2" BSP (CASING DRAIN)	UNS S31803 DUPLX	1
14	SO PLUG 1/4" BSP (STUFFING BOX DRAIN)	UNS S31803 DUPLX	1
13	O RING ID 62.4 X 3.5X3	NEOPRENE	1
12	PARALLEL KEY - 8X7X60 LG (R/F)	ASTM A 276 UNS 31803	1
11	IMPELLER GASKET	PITE	1
10	SLEEVE GASKET	PITE	1
9	IMPELLER NUT	ASTM A 890CG; CD4MCU N G; 1B	1
8	GASKET CASING	PITE	1
7	BACK WEAR RING	ASTM A 890CG; CD4MCU N G; 1B	1
6	FRONT WEAR RING	ASTM A 890CG; CD4MCU N G; 1B	1
5	SLEEVE SHAFT	ASTM A 276 UNS 31803	1
4	STUFFING BOX	ASTM A 890CG; CD4MCU N G; 1B	1
3	IMPELLER	ASTM A 890CG; CD4MCU N G; 1B	1
2	CASING	ASTM A 890CG; CD4MCU N G; 1B	1
1	BEARING FRAME ASSEMBLY W/AS UNS S31803	REFER DRAWING NO: IW458FASXO35A	1

BARE SHAFT PUMP ASSEMBLY
UNS 31803
(BRP - 100 X 80 X 250)

OPERATOR: [Signature]
DATE: 04/07/2018
DRAWN: [Signature]
CHECKED: [Signature]
APPROVED: [Signature]

REVISION: B
SHEET: 1 OF 1

Uncontrolled when printed or downloaded. Verify that this is the correct version before use.
Reproduction of part or all the contents of the document is prohibited without written permission from PT. Bhumi Jepara Service

圖面管理室-2022/02/15 電子承認システム適用