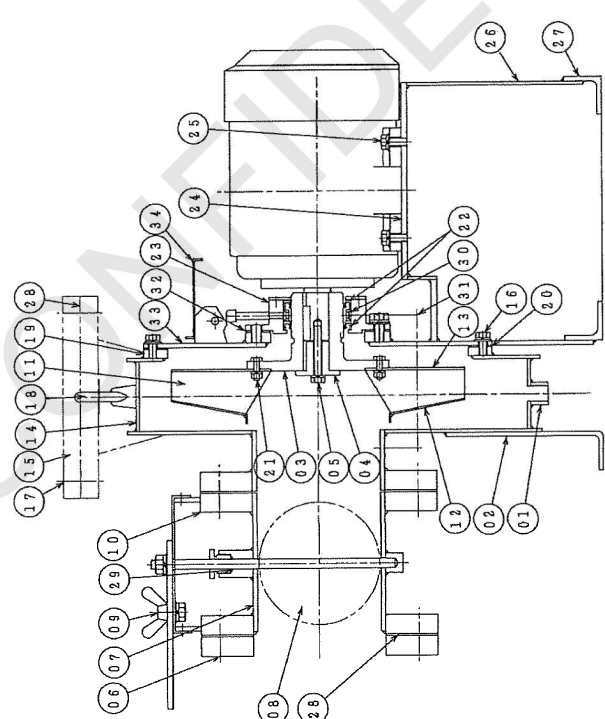


Non asbestos packing is used for use packing.

NO.	PARTS NAME	MATERIAL	REMARKS	QTY
34	WEATHER COVER	SS400	t1.6	01
33	CASING COVER	SS400	t4.5	01
32	PACKING	T/#1995	t1.5	01
31	RETURN PIPE	SUS304	ø8	01
30	LANTERN RING	SS400		01
29	DAMPER RING	NBR	PI0A	01
28	FLANGE PACKING	SS400	T/#1995 t1.5	04
27	FOUNDATION	SS400	L40x40x5	01
26	SIDE PLATE	SS400	t3.2	03
25	MOTOR SET BOLTS	SS400	M8 W. SW with galvanizing Trivalent chromum electrolytic plating	04
24	MOTOR TABLE	SS400	t6	01
23	STUFFING BOX	SS400		01
22	OIL SEAL	FKM	SBS5x7x9	02
21	BOLT NUTS	SCM435	M8 SW	10
20	PACKING	P/#3300	6mm	01
19	CASING TAP SEAT	SS400	t9x25	01
18	HUNGING RING	SS400		01
17	DISCHARGE FLANGE BOLTS	SS400	M16 W. SW	08
16	COVER SET BOLTS	SCM435	M8 W. SW	12
15	DISCHARGE FLANGE	SS400	JIS10k/cm ² 100A	02
14	CASING	SS400	t3.2	01
13	IMPELLER MAIN PLATE	SS400	t2.3	01
12	IMPELLER SIDE PLATE	SS400	t1.6	10
11	IMPELLER BLADE	SS400	JIS10k/cm ² 125A	02
10	SUCTION FLANGE	SS400	M10	01
09	BUTTERFLY NUT	SS400	t2.3	01
08	DAMPER BLADE	SS400		01
07	SUCTION DAMPER	SS400	M20 W. SW	01
06	SUCTION FLANGE BOLTS	SS400	M8 SW LEFT	08
05	IMPELLER SET BOLT	SS400		01
04	SET COLLAR	SUS304	ø14ø	01
03	HUB	SS400	t4.5	01
02	SUPPORT LEG	SS400	PT1/2	01
01	DRAIN	SS400		01



MARK	DATE	PREPARED BY	CONTENT	APPROVED BY
Δ				
Δ				

ORDER	APPROVE	DESIGN	MANUFACTURE
1 SET	T. IWATA	F. WATSUMURA	Suden Okamoto Blower Co., Ltd.
SCALE(mm)	ANGLE	DRAWING DATE	DRG. NO. / MANUFACT. NO. 180244
1/4	3 RD	JUL.11.2018	K3-180244A

FAIR VOLUME	W	MAKE	TATUNG
8 m ³ /min	0	TEFC	
STATIC PRESSURE (at 100%)	0.016 bar	T	OUTPUT: 0.75 W 50 Hz
REVOLUTIONS	3000 min ⁻¹	0	POSSIBLE PHASE 2 P 3 φ
TEMP.	-8~80 °C	0	R RPM/VOLT 3000air/380V
HUMIDITY	- %		

MESSRS: Tanjung Jati/Republik Indonesia
TYPE: TTEO-12 TURBO FAN
ORDER. NO. UKMD27800.28000
BFFT OIL TANK VAPOUR EXTRACTOR (A)(B)