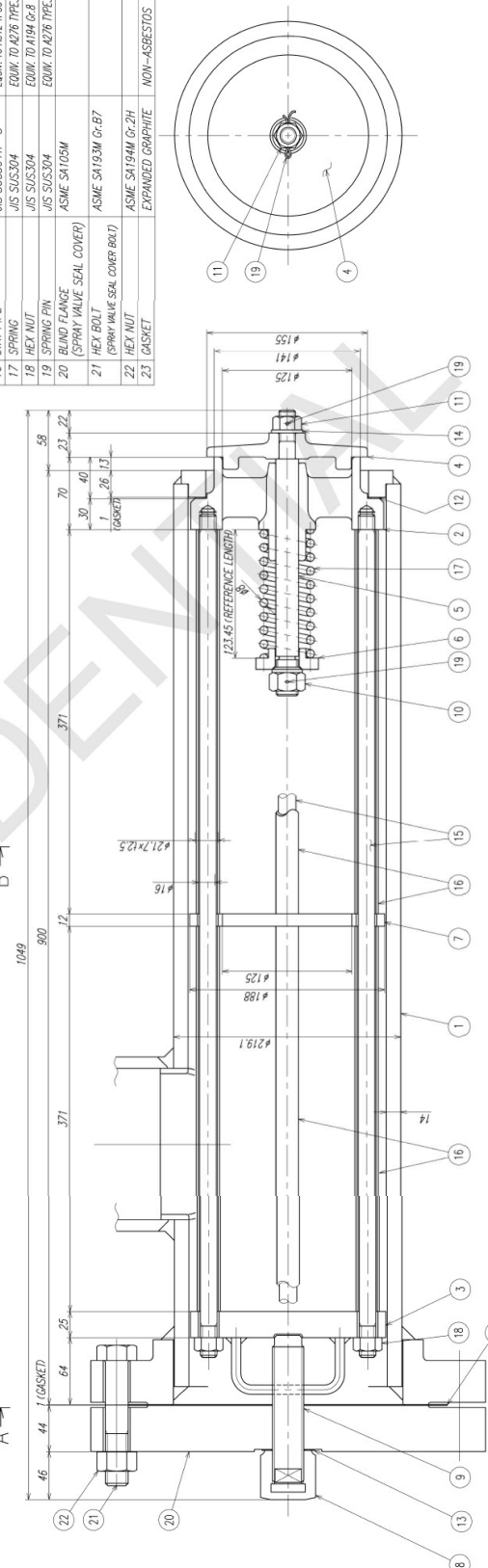
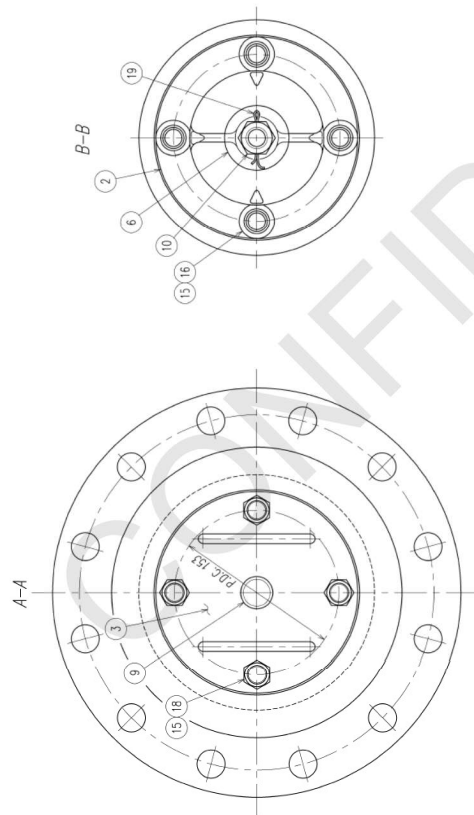


DRAWING-A

製品番号: EKV009172
 製品名: IDEAL SPRAY VLV ASM
 規格: ISO 9001:2015
 承認: 2022/02/10

NOTES
 IN CASE THAT SPRAY VALVE ITSELF IS DECOMPOSED (OVERHAUL),
 ENSURE AT LEAST THE FOLLOWING POINTS FOR RE-ASSEMBLY OF VALVE
 1. SPRING(S) SHALL BE ADJUSTED AS TO BE 25 kg OF LOAD.
 2. RUB AND FIT EACH OTHER CONTACT SURFACE OF ② BODY AND ③ VALVE DISC.
 3. ROD ⑤ SHALL BE MOVE SMOOTHLY IN THE BODY ② WITHOUT IMPROPER GAP.
 ASSEMBLY WEIGHT : APPROX. 30kg (PER ONE SPRAY VALVE (PART ONLY INSTALLING INSIDE VALVE CASE))

NO.	PART NAME	MATERIAL	REMARKS
1	VALVE CASING	ASME SA103M G-B	
2	BODY	JIS SC513	EQUIV. TO AISI C78
3	SUPPORT FLATE	JIS SS400	EQUIV. TO A283 G-0
4	DISK	JIS SC513	EQUIV. TO AISI C78
5	STEM (ROD)	JIS SUS304	EQUIV. TO A276 TPE304
6	SPRING SEAT	JIS SUS403	EQUIV. TO A276 TPE403
7	SUPPORT FLATE	JIS SUS304	EQUIV. TO A276 TPE304
8	CAP NUT (BODY NUT)	JIS S23C	EQUIV. TO A576 G-1025
9	HOLDING BOLT (SPRAY VALVE FRING BOLT)	JIS SUS403	EQUIV. TO A276 TPE403
10	HEX NUT	JIS SUS403	EQUIV. TO A276 TPE403
11	HEX NUT	JIS SUS304	EQUIV. TO A194 G-8
12	GASKET (JOINT SEAT)	NON-ASBESTOS	
13	FLAT WASHER (COPPER PACKING)	JIS CT100	EQUIV. TO B132 CT1000
14	FLAT WASHER	JIS SUS403	EQUIV. TO A176 TPE403
15	STAY BOLT	JIS SUS403	EQUIV. TO A276 TPE403
16	STAY PIPE	JIS SUS304TP-S	EQUIV. TO A132 IP304
17	SPRING	JIS SUS304	EQUIV. TO A276 TPE304
18	HEX NUT	JIS SUS304	EQUIV. TO A194 G-8
19	SPRING PIN	JIS SUS304	EQUIV. TO A276 TPE304
20	BEARING FLANGE SEAL COVER (SPRAY VALVE SEAL COVER BOLT)	ASME SA103M	
21	HEX BOLT (SPRAY VALVE SEAL COVER BOLT)	ASME SA193M G-B7	
22	HEX NUT	ASME SA194M G-2H	
23	GASKET	EXPANDED GRAPHITE	NON-ASBESTOS



製品番号: EKV009172
 製品名: IDEAL SPRAY VLV ASM
 規格: ISO 9001:2015
 承認: 2022/02/10

DEGRATOR
 SPRAY VALVE ASSEMBLY
 TOSHIBA
 TOKYO ELECTRONIC SYSTEMS SOLUTION CORPORATION
 東京都中央区新富1-1-1
 〒100-0001

Uncontrolled when printed or downloaded. Verify that this is the correct version before use.
 Reproduction of part or all the contents of the document is prohibited without written permission from PT. Bhumi Jepra Service