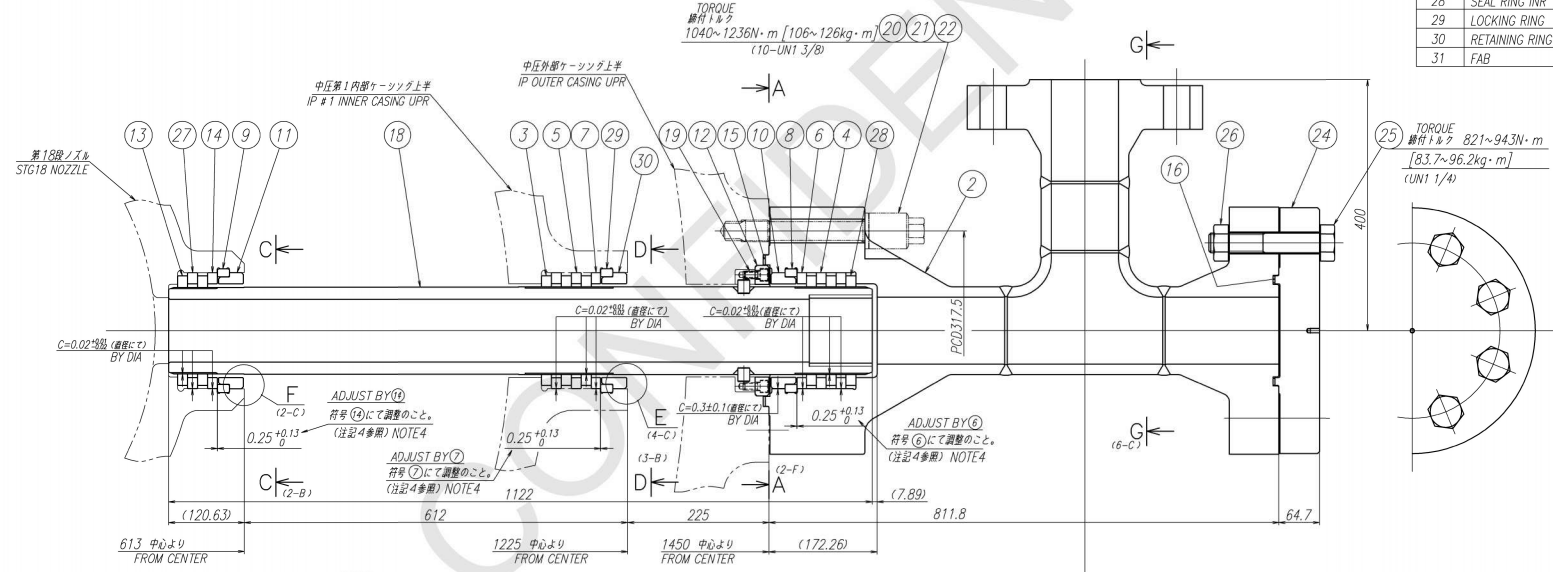
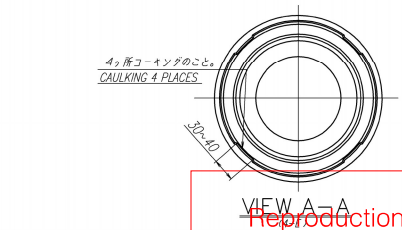


| ASM No. | PART NAME | Q'TY | MATERIAL |
|---------|----------------|------|--------------|
| 1 | ASM | | |
| 2 | FLANGE | 1 | 9Cr-1Mo-Nb-V |
| 3 | SEAL RING INR | 3 | 9Cr-1Mo-Nb-V |
| 4 | SEAL RING OUT | 2 | 9Cr-1Mo-Nb-V |
| 5 | SEAL RING OUT | 2 | 9Cr-1Mo-Nb-V |
| 6 | SEAL FIT RING | 1 | 9Cr-1Mo-Nb-V |
| 7 | SEAL FIT RING | 1 | 9Cr-1Mo-Nb-V |
| 8 | LOCKING RING | 1 | 9Cr-1Mo-Nb-V |
| 9 | LOCKING RING | 1 | 9Cr-1Mo-Nb-V |
| 10 | RETAINING RING | 1 | 9Cr-1Mo-Nb-V |
| 11 | RETAINING RING | 1 | 2.25Cr-1Mo |
| 12 | RING | 1 | 1.25Cr-1Mo-V |
| 13 | SEAL RING INR | 2 | 9Cr-1Mo-Nb-V |
| 14 | SEAL FIT RING | 1 | 9Cr-1Mo-Nb-V |
| 15 | GASKET | 1 | GRAPHITE |
| 16 | GASKET | 1 | GRAPHITE |
| 18 | SLEEVE | 1 | 9Cr-1Mo-Nb-V |
| 19 | HEX SOC BOLT | 4 | 12Cr-Mo-W-V |
| 20 | TAP STUD | 10 | 12Cr-Mo-W-V |
| 21 | CAP NUT | 10 | 1Cr-0.5Mo-V |
| 22 | FLAT WASHER | 10 | 1Cr-0.5Mo-V |
| 24 | FLANGE COVER | 1 | 9Cr-1Mo-Nb-V |
| 25 | HEX BOLT | 8 | 12Cr-Mo-W-V |
| 26 | HEX NUT | 8 | 1Cr-0.5Mo-V |
| 27 | SEAL RING OUT | 1 | 9Cr-1Mo-Nb-V |
| 28 | SEAL RING INR | 3 | 9Cr-1Mo-Nb-V |
| 29 | LOCKING RING | 1 | 9Cr-1Mo-Nb-V |
| 30 | RETAINING RING | 1 | 2.25Cr-1Mo |
| 31 | FAB | 1 | |



- NOTES
- 1.COAT "MOLYKOTE P-37" TO PREVENT BURNING.
 - 2.MARK OUTSIDE OF INNER RINGS & INSIDE OF OUTER RINGS TO ASSURE PROPER REASSEMBLY.
 - 3.INNER RING IS TO BE INSTALLED AT BOTTOM ACCORDING TO THIS DRAWING.
 - 4.SEAL FIT RING IS TO BE MACHINED TO OBTAIN DIM SHOWN.
 - 5.GASKET SHALL NOT BE USED AT SHOP ASSEMBLY.

- 注記
1. 燃焼防止リングが損傷しないよう熱付止め防止剤(モリコ-UP37)を塗布すること。
 2. 内リングは外側、外リングは内側に再組立に必要な符号を必ず順次マークすること。
 3. 最下段に必ず内リングを配座すること。
 4. 密封リングは内リングと外リングの両方の両方に必要となるようフルフィットリングを調整すること。
 5. ガasketは工場組立時に使用しないこと。



| | | | | |
|---|--|--|---|---|
| 000K2018L1676c A.Kobayashi 承認 APPROVED BY 14.7.13 14.7.13 14.7.13 | 000K2018L1676b A.Kobayashi 承認 APPROVED BY 14.7.13 14.7.13 14.7.13 | 000K2018L1676a A.Kobayashi 承認 APPROVED BY 14.7.13 14.7.13 14.7.13 | 000K2018L1676 A.Kobayashi 承認 APPROVED BY 14.7.13 14.7.13 14.7.13 | 000K2018L1676 A.Kobayashi 承認 APPROVED BY 14.7.13 14.7.13 14.7.13 |
| 図番: IKS142343, 図名: EXP JOINT ASM, 比例: 1:1, 単位: mm, 発行: 2009, 2 図号: IKS142343, 図名: EXP JOINT ASM, 比例: 1:1, 単位: mm, 発行: 2009, 2 MODEL: APB, 図名: ASM, EXP-JT, WARM, X.I.T.O.S. | | | | |

Uncontrolled when printed or downloaded. Verify that this is the correct revision before use.
 Reproduction of part or all the contents of the document is prohibited without written permission from PT. Bhumi Joka