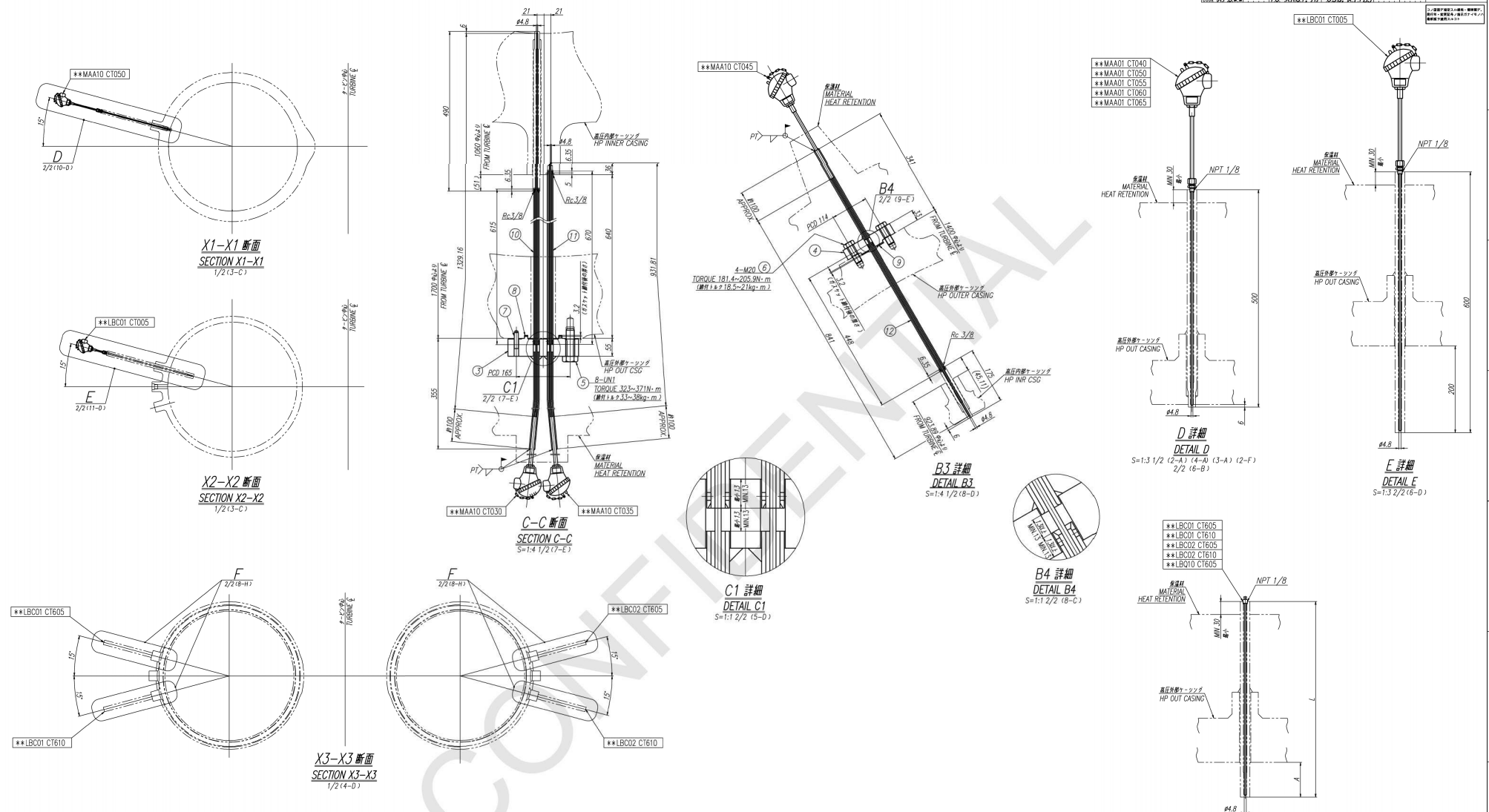


110091 01 09
 0KSI140159



CUSTOMER TAG NUMBER	LOCATION & SERVICE	INSERTION AMOUNT (A)	SPAN (L)
**LBC01 CT605	HP TURBINE STEAM TEMPERATURE AT EXHAUST (1) (FOR PERFORMANCE TEST)	200	600
**LBC01 CT610	HP TURBINE STEAM TEMPERATURE AT EXHAUST (2) (FOR PERFORMANCE TEST)	200	600
**LBC02 CT605	HP TURBINE STEAM TEMPERATURE AT EXHAUST (3) (FOR PERFORMANCE TEST)	200	600
**LBC02 CT610	HP TURBINE STEAM TEMPERATURE AT EXHAUST (4) (FOR PERFORMANCE TEST)	200	600
**LBC01 CT605	HP TURBINE STEAM TEMPERATURE AT NO.8 EXTRACTION (FOR PERFORMANCE TEST)	80	500

** UNIT NUMBER
 50 FOR UNIT 5, 60 FOR UNIT 6

Uncontrolled when printed or downloaded. Verify that this is the correct version before use.
 Reproduction of part or all the contents of the document is prohibited without written permission from PT. Bhumi Jepara Raya

0000002024-01
 0KSI140159
 TC-ARGT HP-CSG
 0KSI140159