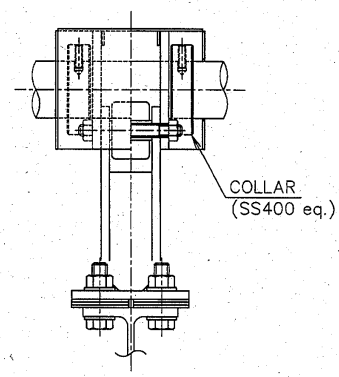
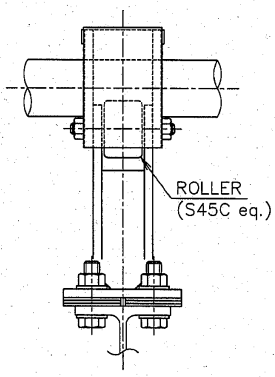
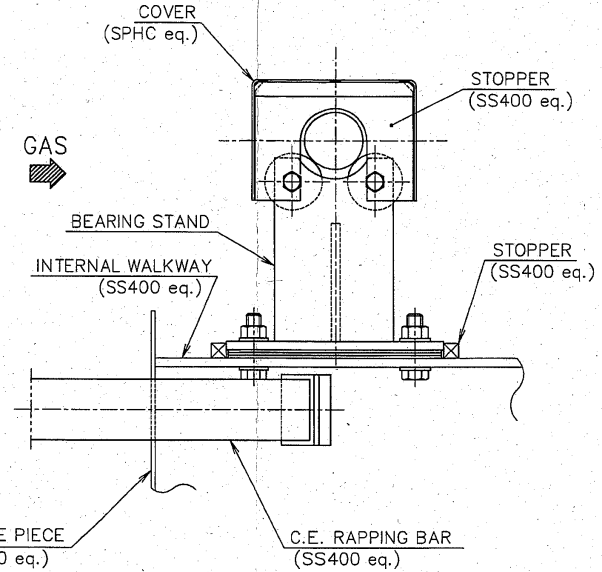
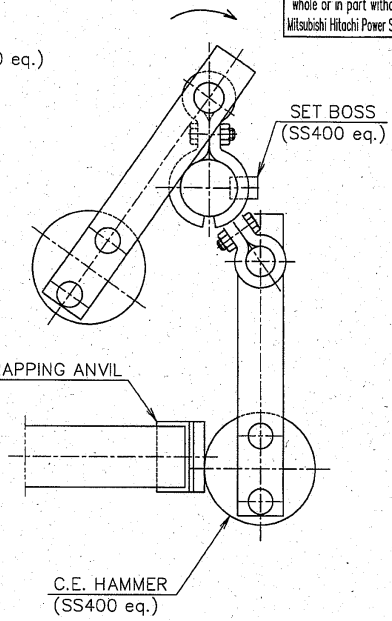
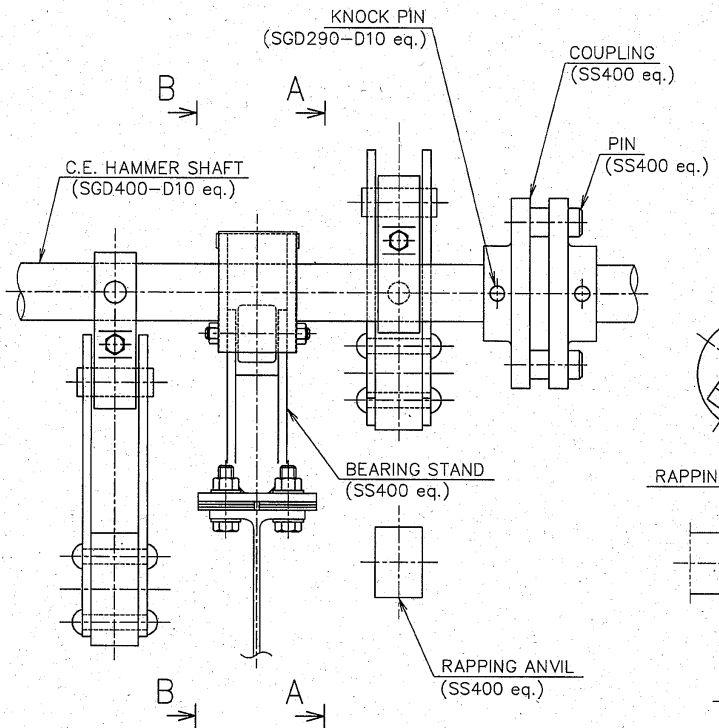


MHPS-ES PROPRIETARY CLASS B
 This document contains information Proprietary to Mitsubishi Hitachi Power Systems Environmental Solutions, Ltd. (MHPS-ES) It is submitted in confidence and is to be used solely for the purpose for which it is furnished. This document and such information are not to be transmitted, disclose or used otherwise in whole or in part without authorization of MHPS-ES. Mitsubishi Hitachi Power Systems Environmental Solutions, Ltd.

3rd ANGLE PROJECTION ISO METRIC SCREW THREADS
 PLAN RECORD



BEARING WITHOUT COLLAR

BEARING WITH COLLAR
 ARRANGED AT ONE PLACE PER HAMMER SHAFT

SPARE	MARK	DESCRIPTION	MATERIAL	TEST	WORKING	SPARE	PER PIECE	TOTAL	REMARKS
					PIECE	QUANTITY PER SET			
		Mechanical Designing Department Dust Collectors Mechanical Designing Section B							
		APPROVED							
		CHECKED							
		DRAWN							
		SCALE 1/5							
		C.E. HAMMER AND SHAFT ASSEMBLY							
					DRAWING NO.				
					C3-48468-03				