



## HIGH VOLTAGE FUSES GERMAN DIN STANDARD

FOR AIR & GAS INSULATED SWITCHGEARS  
OUTDOOR SWITCHGEARS

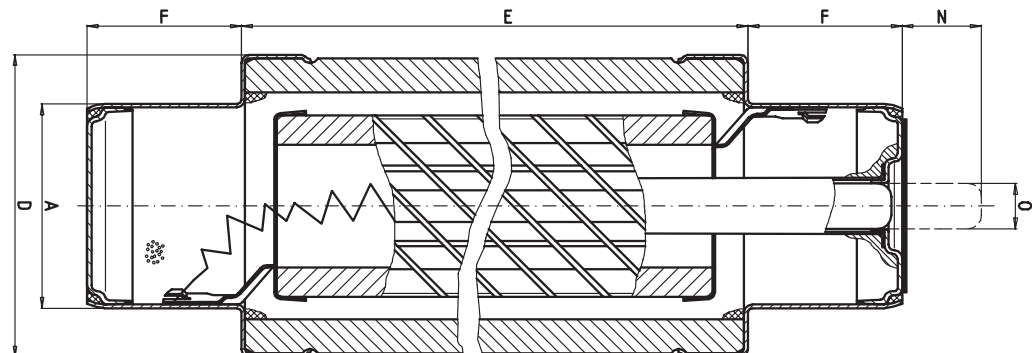
DIN Size  
**E= 292 mm**

Rated voltage  
**AC 3/7.2 kV**

Class  
**Back up**

Standard  
**DIN 43625 · IEC 60282-1**

Rated current	Part No.	D= Diameter		Rated breaking current kA	Weight (kg/1)	Pack
		inch	mm			
6.3 A	30 098 13	2.10	53	63	1.6	1
10 A	30 098 13	2.10	53	63	1.6	1
16 A	30 098 13	2.10	53	63	1.6	1
20 A	30 098 13	2.10	53	63	1.6	1
25 A	30 098 13	2.10	53	63	1.6	1
31.5 A	30 098 13	2.10	53	63	1.6	1
40 A	30 098 13	2.10	53	63	1.6	1
50 A	30 098 13	2.10	53	63	1.6	1
63 A	30 099 13	2.64	67	63	2.0	1
80 A	30 099 13	2.64	67	63	2.0	1
100 A	30 099 13	2.64	67	63	2.0	1
125 A	30 099 13	2.64	67	63	2.0	1
160 A	30 100 13	3.35	85	50	3.8	1
200 A	30 100 14	3.35	85	50	3.8	1
250 A	30 100 14	3.35	85	50	3.8	1
315 A	30 100 14	3.35	85	50	3.8	1
355 A	30 100 14	3.35	85	50	3.8	1



<b>A</b>	<b>1.77"</b> (45 mm)
<b>F</b>	<b>1.30"</b> (33 mm)
<b>O</b>	<b>0.40"</b> (10 mm)
<b>N</b>	<b>1.38"</b> (35 mm)

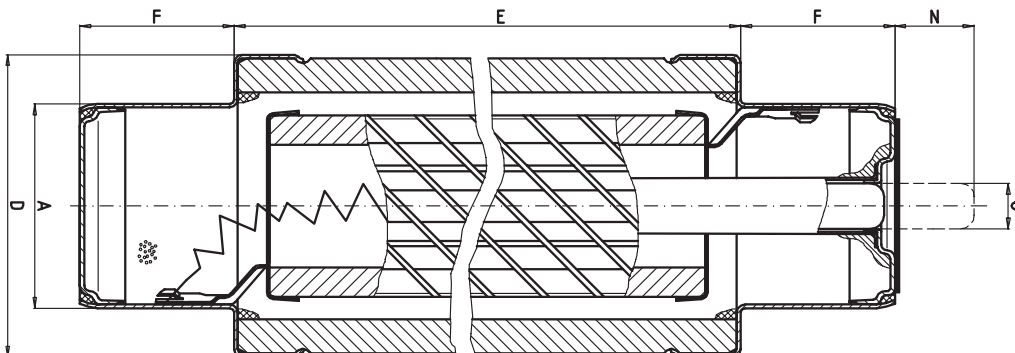


**HIGH VOLTAGE FUSES**  
GERMAN DIN STANDARD

FOR AIR & GAS INSULATED SWITCHGEARS  
OUTDOOR SWITCHGEARS

<b>DIN Size</b> <b>E= 442 mm</b>	<b>Rated voltage</b> <b>AC 3/7.2 kV</b>	<b>Class</b> <b>Back up</b>	<b>Standard</b> <b>DIN 43625 · IEC 60282-1</b>
-------------------------------------	--	--------------------------------	---

Rated current	Part No.	D= Diameter		Rated breaking current kA	Weight (kg/1)	Pack
		inch	mm			
100 A	30 109 13	2.64	67	63	2.9	1
125 A	30 109 13	2.64	67	63	2.9	1
160 A	30 110 13	3.35	85	63	5.4	1
200 A	30 110 14	3.35	85	50	5.4	1
250 A	30 110 14	3.35	85	50	5.4	1
315 A	30 110 14	3.35	85	50	5.4	1
355 A	30 110 14	3.35	85	50	5.4	1
400 A	30 110 14	3.35	85	50	5.4	1
500 A	30 110 14	3.35	85	50	5.4	1



<b>A</b>	<b>1.77" (45 mm)</b>
<b>F</b>	<b>1.30" (33 mm)</b>
<b>O</b>	<b>0.40" (10 mm)</b>
<b>N</b>	<b>1.38" (35 mm)</b>



## HIGH VOLTAGE FUSES GERMAN DIN STANDARD

FOR AIR & GAS INSULATED SWITCHGEARS  
OUTDOOR SWITCHGEARS

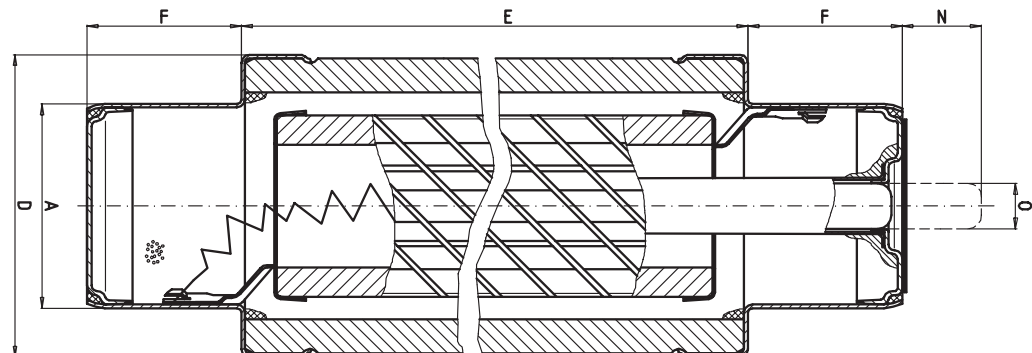
DIN Size  
**E= 192 mm**

Rated voltage  
**AC 6/12 kV**

Class  
**Back up**

Standard  
**DIN 43625 · IEC 60282-1**

Rated current	Part No.	D= Diameter		Rated breaking current kA	Weight (kg/1)	Pack
		inch	mm			
6.3 A	30 119 13	2.10	53	63	1.2	1
10 A	30 119 13	2.10	53	63	1.2	1
16 A	30 119 13	2.10	53	63	1.2	1
20 A	30 267 13	2.64	67	63	1.5	1
25 A	30 267 13	2.64	67	63	1.5	1
31.5 A	30 267 13	2.64	67	63	1.5	1
40 A	30 267 13	2.64	67	63	1.5	1
50 A	30 267 13	2.64	67	63	1.5	1
63 A	30 267 13	2.64	67	63	1.5	1



- A** 1.77" (45 mm)
- F** 1.30" (33 mm)
- O** 0.40" (10 mm)
- N** 1.38" (35 mm)