

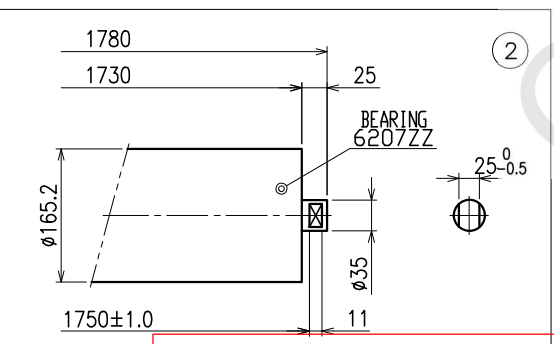
Weight : 46 Kg/set

MARK	PARTICULARS	MATERIAL	NO. REQUIRED			MASS (Kg)		REMARKS
			WORKING	SPARE	TOTAL	PER ONE	TOTAL	
1	BRACKET	SS400						
2	RETURN ROLLER	-						

B	'18 02-JUL	REV: REVISE NAMEPLATE	6	SS	SS	M.K	Nakaseko
A	'18 8-JUN	REV: ADD NAMEPLATE	6	SS	SS	M.K	Nakaseko
0	'18 30-JAN		6	SS	SS	M.K	Nakaseko

NO.	DATE	DESCRIPTION	Q'ty	DRAWN	DESIGNED	CHECKED	APPROVED
SCALE 1/10							
For Tanjung Jati B							
2500t/h CSU Boom BC							
B 1600							
RETURN IDLER							
MARK4							

IHI	JOB NO. BK1BA88	CLASSIFICATION 0420-0213
	DRAWING NO. CJ8-10858	REV. B



Uncontrolled when printed or downloaded. Verify that this is the correct version before use. Reproduction of part or all the contents of the document is prohibited without written permission from PT. IHI Transport Machinery Co., Ltd.