

APT



TL 702


Acousto-optical single tower light

Product feature

- Protection class IP20.
- Acousto-optical combination.
- The illumination form includes normally on, flashing, fade up.
- The lampshade is made of polycarbonate resin which is heat and vibration resistant.



Product description

Type	Order code	Specification	Rated voltage/current	Color
	TL-702L	normally on	12V/≤75mA 24V/≤75mA 36V/≤75mA 48V/≤75mA 75V/≤32mA 110V/≤32mA 220V/≤32mA	<ul style="list-style-type: none"> ● Red-r ● Green-g ● Yellow-y ○ White-w ● Blue-b
	TL-702F	flashing		
	TL-702S	fade up		
	TL-702LI(C)	Normally on, intermittent (continuous) sound		
	TL-702FI(C)	Flashing, intermittent (continuous) sound		
	TL-702SI(C)	Fade up, intermittent (continuous) sound		

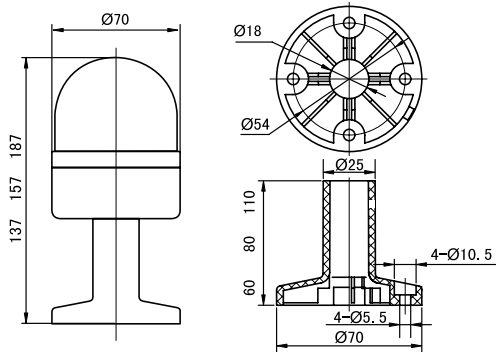
Note: 12V-110V are available for DC and AC, while 220V is only available for AC.
The current is only for reference during selection and the actual value shall be subject to the material object.
This type is acousto-optical combination, the light and sound cannot be controlled separately.

Order code designations

No.	TL-702 / 				
	1	2	3	4	5
1	Illumination form	L: normally on F: flashing S: fade up			
2	Sounding form	No marking: silent I: intermittent C: continuous			
3	Color	● Red-r ● Green-g ● Yellow-y ○ White-w ● Blue-b			
4	Voltage code	22: AC/DC 12V 18: AC/DC 75V	23: AC/DC 24V 26: AC/DC 110V	24: AC/DC 36V 31: AC 220V	25: AC/DC 48V
5	Product height	No marking: 137mm H1: 157mm H2: 187mm			

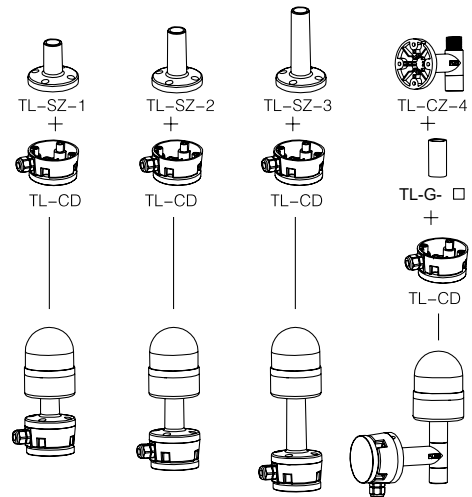
TL-702

Dimensional instructions


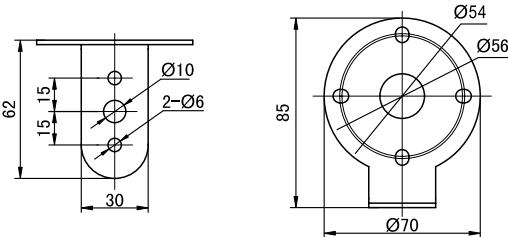

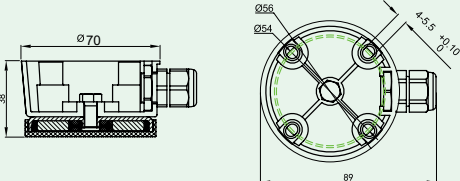

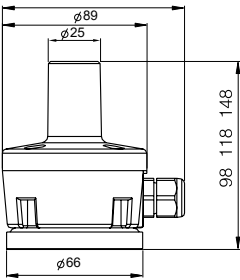

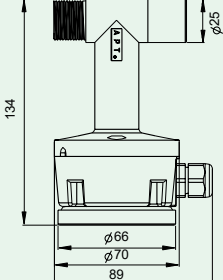


There are three heights, which can be selected when ordering as necessary

Schematic diagram for accessory combination



◎ Accessories

Name	Type	Order code	Dimension	Remark
Side-mounted base		TL-CZ-1		For side installation
Magnetic-mounted base		TL-CD-1		
Magnetic-mounted base		TL-CD-11 TL-CD-12 TL-CD-13		Combination: TL-CD-1+TL-SZ-1 TL-CD-1+TL-SZ-2 TL-CD-1+TL-SZ-3
Magnetic-mounted base		TL-CD-24		TL-CD-1+TL-CZ-4 Note: used with TL-G- □