

Parts List

Note

Part numbers are shown for recommended spares only. For part numbers not shown, contact your [Emerson sales office](#) or Local Business Partner.

1069 Actuator (figure 4)

Key	Description	Part Number
1	Cylinder, aluminum (2 req'd)	
2	Cylinder Flange, aluminum (2 req'd)	
3	Cap Screw, zn pl steel (32 req'd)	
4	Piston, aluminum & PTFE (2 req'd)	
5*	O-Ring, nitrile (2 req'd)	1H862606992
6	Piston Rod, cr pl S41600 stainless steel (2 req'd)	
7	Rod End Bearing, alloy steel & PTFE (2 req'd)	
8	Cap Screw, zn pl steel (2 req'd)	
9	Travel Stop Screw, zn pl steel, 60-degree rotation only	
10*	O-Ring, nitrile (2 req'd)	1H862606992
11*	O-Ring, nitrile (2 req'd)	1D542906992
12*	O-Ring, nitrile (2 req'd)	1P233206992
13	Sliding Seal, aluminum (2 req'd)	
14	Seal Support Cylinder, aluminum (2 req'd)	
15	Housing, cast iron	
16	Cap Screw, zn pl steel (20 req'd)	
17	Mounting Yoke, cast iron	
18	Cap Screw, zn pl steel (8 req'd)	
19	Lever, ductile iron	
20	Cap Screw, zn pl steel (2 req'd)	
21	Hub, aluminum or S41600 stainless steel ⁽¹⁾ (not req'd w/manual operator)	
21	Adaptor, S17400 stainless steel, heat-treated (Use w/manual operator only)	
22	Retaining Ring, zn pl carbon steel (2 req'd)	
23	Bearing, fiberglass/PTFE	
24	Cover, aluminum/iridite	
25	Cap Screw, zn pl steel (8 req'd)	
26	Travel Indicator Scale, stainless steel (Not req'd w/manual operator)	
27	Self Tapping Screw, pl carbon steel (2 req'd) (not req'd w/manual operator)	
28	Travel Indicator, stainless steel (not req'd w/manual operator)	
29	Self Tapping Screw, pl carbon steel (2 req'd) (not req'd w/manual operator)	
30	Positioner Plate, steel (none req'd w/positioner)	
30	Positioner Adaptor, aluminum (use w/3610)P positioner only)	

Key	Description	Part Number
31	Cap Screw, zn pl steel (4 req'd)	
32	Nameplate, stainless steel	
33	Drive Screw, stainless steel (4 req'd)	
34	Travel Stop Nut, steel, 60-degree rotation only	
35	Travel Stop Screw, zn pl steel 60-degree rotation (1 req'd) 90-degree rotation (2 req'd)	
36	Thrust Washer, PTFE (2 req'd)	
37	Hex Nut, zn pl steel, 60-degree rotation only	
38	Washer, pl carbon steel (8 req'd)	
39	Hex Nut, zn pl steel 60-degree rotation (1 req'd) 90-degree rotation (2 req'd)	
40	Bearing, fiberglass/PTFE	
41	Set Screw, carbon steel	
42	Anti-Rotator Assembly, steel (2 req'd)	
43	Cap Screw, zn pl carbon steel (2 req'd)	
44	Plastic lead Seal Sealant	
45	Lithium grease	
46	Cap Screw, zn pl steel, 60-degree rotation only	
47	Cap Screw, zn pl steel, 90-degree rotation only	

Note

Key numbers 48 through 67 are to be used with valve positioner only, unless otherwise specified. And key numbers 48 through 51 and 58 through 66 are to be used with volume boosters only.

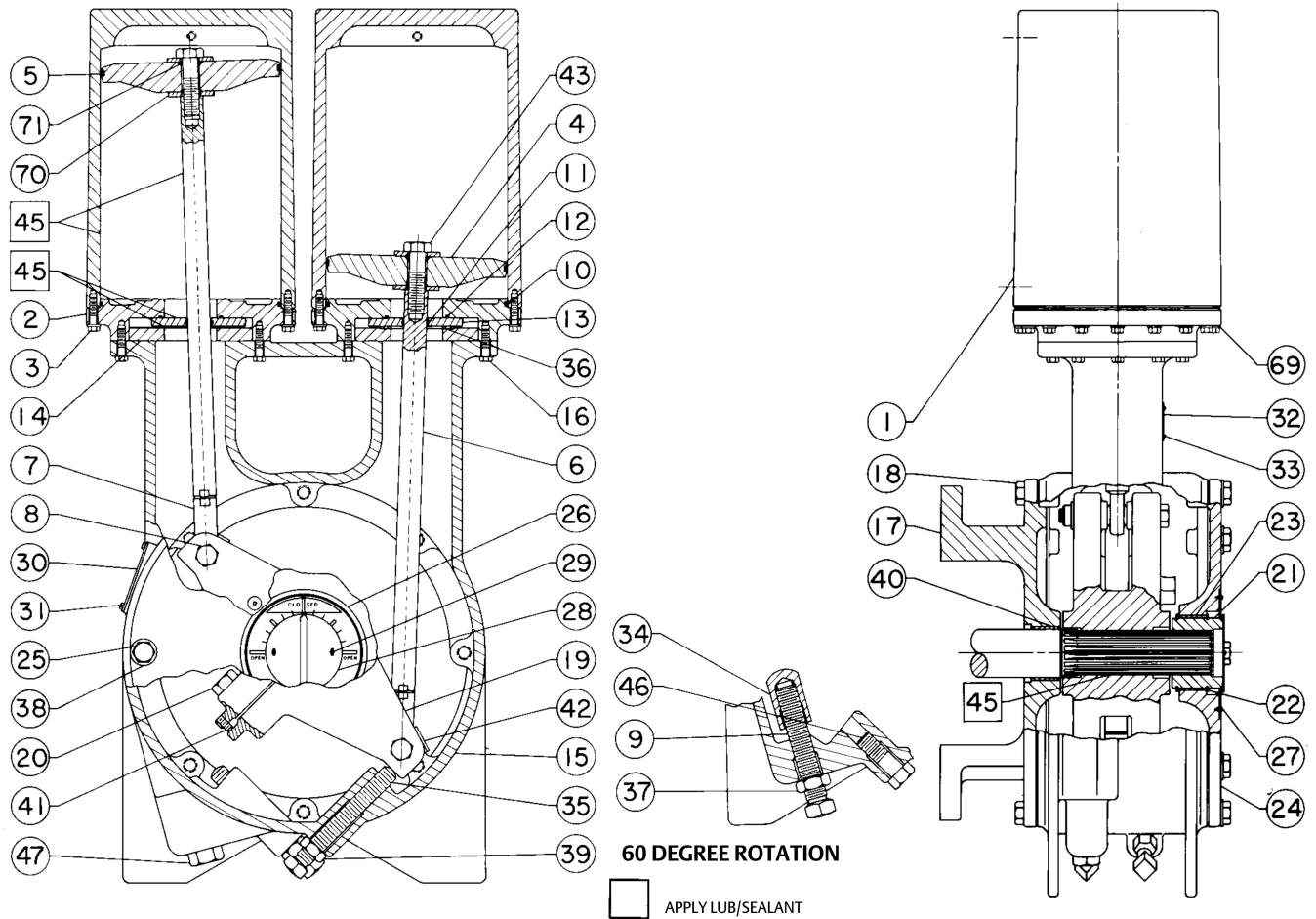
48	Elbow (2 req'd)
49	Nipple (2 req'd)
50	Elbow (none req'd w/manual operator)
51	Cross (Use w/manual operator only)
52	Tubing, ⁽⁵⁾ 3/8-inch (9.5 mm) outer diameter (2 req'd - specify accessories used w/actuator)
53	Bypass Valve (use w/manual operator only)
54	Bypass Tubing, (use w/manual operator only) (2 req'd - specify accessories used w/actuator)
55	Tee ⁽²⁾ (2 req'd)
56	Connector ⁽⁵⁾ (2 req'd)
57	Tee ⁽⁵⁾ (use w/manual operator only) (2 req'd)
58	Elbow (use w/manual operator only)
59	Tee (use w/manual operator only)
60	Tee (3 req'd w/o manual operator; 2 req'd w/manual operator)
61	Elbow (use w/manual operator only)
63	Hose Assembly, Operation (2 req'd)
64	Hose Assembly, Supply
65	Hose Assembly, Bypass (use w/manual operator only)
66	Needle Valve (use w/manual operator only)
69	Washer, zn pl carbon steel (32 req'd)
70	Washer, S17400 stainless steel (4 req'd)
71	O-Ring, nitrile (2 req'd)

*Recommended spare parts

1. Either aluminum or 416 stainless steel hub material will be supplied depending on manufacturing location.

2. This part can also be used without valve positioner.

Figure 4. Fisher 1069 Actuator Assembly



58A8035-B Sht 1 & 2