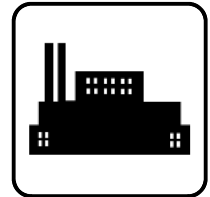


Service Parts

Industrial Generator Sets



Models:

450REOZD-4
500-1000ROZD-4

See Group 701: Literature, inside this manual for part numbers of engine and accessory parts catalogs

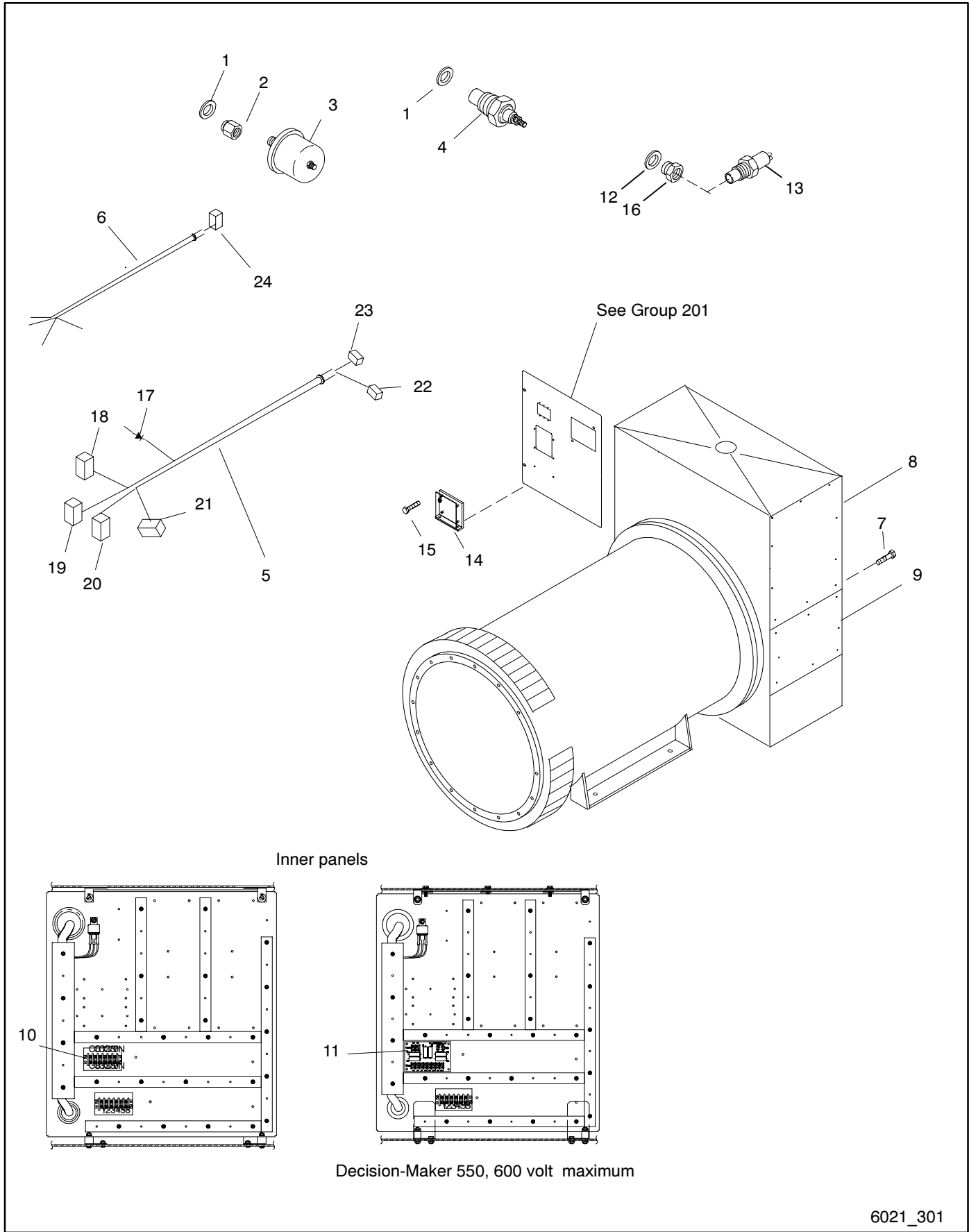
See TP-6009 Parts Catalog Industrial Controllers for controller parts

ISO 9001
KOHLER
POWER SYSTEMS
NATIONALLY REGISTERED

KOHLER[®]
POWER SYSTEMS

TP-6021 7/03c

Control and Harness



6021_301

Control and Harness

Item	Part Number	Description	Quantity														
			Module														
			GM16964-MA1	GM16965-MA1	GM16965-MA2	GM16966-MA1	GM16966-MA2	GM16966-MA3	GM16969-MA1	GM16970-MA1	GM16970-MA2	GM16971-MA1	GM16971-MA2	GM16971-MA3			
1	365499	O-ring	2	2	2	2	2	2									
2	361916	Adapter, bushing	1	1	1	1	1	1									
3	365624	Sender, oil pressure	1	1	1	1	1	1									
4	GM10166	Sender, temperature	1	1	1	1	1	1									
5	365907	Harness, engine	1														
5	361775	Harness, engine		1													
5	365310	Harness, engine			1												
5	365426	Harness, engine				1											
5	361942	Harness, engine					1	1									
5	GM16932	Harness, engine (includes items 17-23)							1								
5	GM16948	Harness, engine (includes items 17-23)								1							
5	GM16951	Harness, engine (includes items 17-23)									1						
5	GM16949	Harness, engine (includes items 17-23)										1					
5	GM16950	Harness, engine (includes items 17-23)											1		1	1	
6	365908	Harness, power (includes item 24)	1							1							
6	361774	Harness, power (includes item 24)		1							1						
6	365309	Harness, power (includes item 24)			1							1					
6	365425	Harness, power (includes item 24)				1							1				
6	361941	Harness, power (includes item 24)					1	1								1	1
7	X-6217-10	Screw, hex flange machine	22	22	22	22	24	24								22	24
8	361184	Panel, junction box top	1	1	1	1	1	1	1	1	1	1	1	1	1	1	1
9	361826	Panel, junction box bottom	1	1	1	1	1	1		1	1	1	1	1	1	1	1
9	328901	Panel, junction box bottom							1								1
10	295314	Block, terminal	1	1	1	1	1	1									
10	255080	Marker, strip	1	1	1	1	1	1									
10	X-49-6	Screw, cross recess pan head	2	2	2	2	2	2									
11	GM13980	PCB assembly, CT burden resistor								1	1	1	1	1	1	1	1
11	X-70-12	Nut, hex machine screw, 8-32								4	4	4	4	4	4	4	4
11	X-712-9	Spacer, .25 OD, .5 in.								4	4	4	4	4	4	4	4
12	365615	O-ring, ISO 6149								1	1	1	1	1	1	1	1
13	GM10061	Switch, temperature								1	1	1	1	1	1	1	1
14	GM11718	PCB assembly, Marathon excitation interface								1	1	1	1	1	1	1	1
15	M965A-06012-20	Screw, pan head machine								4	4	4	4	4	4	4	4
16	GM24458	Adapter, bushing								1	1	1	1	1	1	1	1
17	233959	Diode, 6 A								4	4	4	4	4	4	4	4
18	337131	Connector, plug, 6-position								1	1	1	1	1	1	1	1
19	GM11496	Connector, plug, 3-position								1	1	1	1	1	1	1	1
20	295145	Connector, 24-position								1	1	1	1	1	1	1	1
21	343131	Connector, weathertight, 6-position								1	1	1	1	1	1	1	1
22	GM11497	Connector, weathertight, 6-position								1	1	1	1	1	1	1	1
23	343129	Connector, plug, 6-position								1	2	2	2	2	2	2	2
24	343130	Connector, weathertight, 5-position								1	2	2	2	2	2	2	2

Engine Group to Module Number Cross-Reference

Use the engine group variation from the Specification Number Index at the front of this book to determine module number.

Engine Group Variation No.	Module Number	kW	Controllers
102, 103, 104	GM16964-MA1	450 50/60 Hz, 500 60 Hz	Engine Gauge Box and 16-Light
113, 114, 116	GM16965-MA1	500 50 Hz, 600 50/60 Hz	Engine Gauge Box and 16-Light
115	GM16965-MA2	750 60 Hz	Engine Gauge Box and 16-Light
105, 106, 108, 110	GM16966-MA1	750 50 Hz, 800, 900 60 Hz	Engine Gauge Box and 16-Light
107, 109	GM16966-MA2	900 50 Hz, 1000 60 Hz	Engine Gauge Box and 16-Light
	GM16966-MA3	1000 50 Hz	Engine Gauge Box and 16-Light
	GM16969-MA1	450 50/60 Hz, 500 60 Hz	Decision-Maker 550
	GM16970-MA1	500 50 Hz, 600 50/60 Hz	Decision-Maker 550
	GM16970-MA2	750 60 Hz	Decision-Maker 550
	GM16971-MA1	750 50 Hz, 800, 900 60 Hz	Decision-Maker 550
	GM16971-MA2	900 50 Hz, 1000 60 Hz	Decision-Maker 550
	GM16971-MA3	1000 50 Hz	Decision-Maker 550