

図面番号 DRAWING NO.
3JD012318
類似・参考図 3ME011691

7EV0124AF 4001/4001A/4002/4002A/4003/4003A
4101/4101A/4102/4102A/4103/4103A
2018.11.12

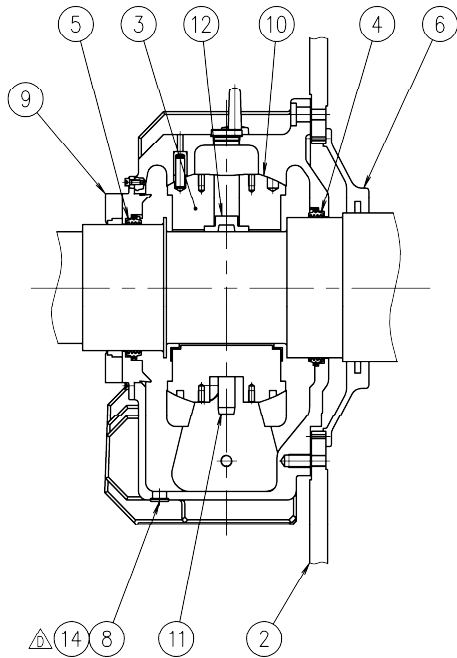
図面番号 DRAWING NO.
F1 3JD012318

変更種別 REV. CTG.
* D B BRG CONSTRUCTION

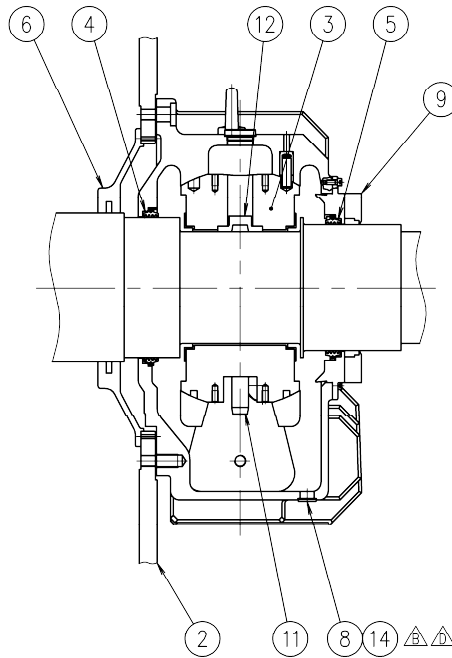
MODEL CODE
I MA 32G20 BRG-0L, EF22, IP55

品質管理 REMARKS
1 MP
担当 M.F.
1
普通許容差ハ下記ニヨル

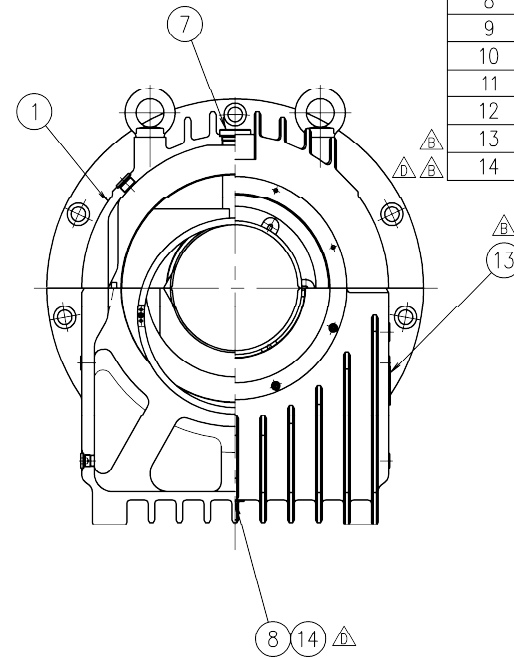
P.No.	NAME OF PARTS
1	BEARING HOUSING
2	BEARING BRACKET
3	BEARING METAL
4	INSIDE OIL SHIELD
5	OUTSIDE OIL SHIELD
6	INSIDE AIR SHIELD
7	OIL INLET
8	OIL OUTLET
9	BAFFLE
10	INSULATION
11	OIL RING
12	OIL RING GUIDE
13	OIL LEVEL GAUGE
14	DRAIN PLUG



NON-DRIVE END



DRIVE END



T. Zenge Dec.12.'17	T. Zenge Jan.25.'18	承認 APPROVED BY
K. Sasada Dec.12.'17	K. Sasada Jan.25.'18	調査 REVIEWED BY
T. Hara Dec.12.'17	T. Hara Jan.25.'18	担当 PREPARED BY
K. Aikawa Dec.12.'17	K. Aikawa Jan.25.'18	REVISIONS
C ADD. & CHG.	D CHG. DESCR.	記事 CONTENTS

承認 APPROVED BY T. Zenge Jul.18.'17	調査 REVIEWED BY K. Sasada Jul.18.'17	名称 TITLE CONSTRUCTION OF SLEEVE BEARING
調査 REVIEWED BY T. Hara Jul.18.'17	担当 PREPARED BY S. Matsutake Jul.18.'17	図面番号 DRAWING NO. 3JD012318
TMEIC TOSHIBA MITSUBISHI-ELECTRIC INDUSTRIAL SYSTEMS CORPORATION		保管 REGISTERED 2018-01-25

品質管理 REMARKS 1 MP	担当 M.F. 1	普通許容差ハ下記ニヨル
REV. MARK D		REV. MARK 1/1

1 O/# 7EV0124 AF 4***

2

3

4

