



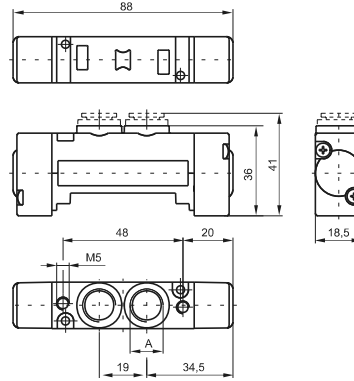
Spool valves and solenoid valves Series 2400 - Size 18mm FLAT

Pneumatic - Pneumatic

Coding: 243 **A**.52.00.18

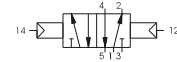
Operational characteristics	
Fluid	Filtered air. No lubrication needed, if applied it shall be continuous
Max working pressure (bar)	10
Maximum piloting pressure (bar)	1.5
Temperature °C	-5 ÷ +50
Flow rate at 6 bar with Δp=1 (NI/min)	800
Orifice size (mm)	7
Pilot ports size	M5

WORKING PORTS SIZE	
1	= G1/4"
5	= G1/8"
6	= Quick fitting tube Ø6
8	= Quick fitting tube Ø8



Weight 105 g

For dimension "A" see ordering code

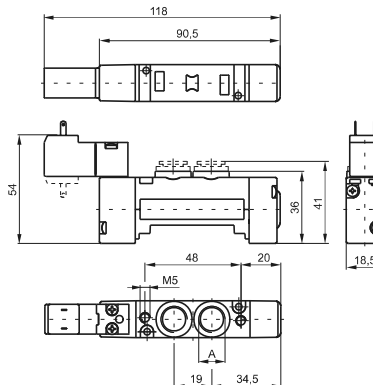


Solenoid-Spring / Differential

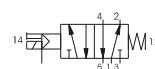
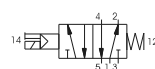
Coding: 243 **A**.52.00.**V**.**T**

Operational characteristics	
Fluid	Filtered air. No lubrication needed, if applied it shall be continuous
Max working pressure (bar)	10
Maximum piloting pressure (bar)	2
Temperature °C	-5 ÷ +50
Flow rate at 6 bar with Δp=1 (NI/min)	800
Orifice size (mm)	7
Pilot ports size	M5

WORKING PORTS SIZE	
1	= G1/4"
5	= G1/8"
6	= Quick fitting tube Ø6
8	= Quick fitting tube Ø8
VERSION	
39	= Solenoid - Spring
29	= Solenoid external-Spring
36	= Solenoid-Differential
V 37	= Solenoid-Differential external
26	= Solenoid external-Differential
27	= Solenoid external-Differential external
VOLTAGE	
01	= 12V DC
02	= 24V DC
05	= 24V AC
06	= 110V AC
07	= 230 V AC
08	= 24V DC 1W
T 09	= 24V DC downward
11	= 12V DC downward
12	= 24V DC downward
15	= 24V AC downward
16	= 110V AC downward
17	= 230 V AC downward
18	= 24V DC 1W downward
19	= 24V DC Earth faston downward



For dimension "A" see ordering code



Weight 140 g

1
AIR DISTRIBUTION