

# GENERAL PURPOSE VALVES



## Series 20 >> Model 23

### 3-Way Normally Closed – Exhaust to Atmosphere

A complete line of valves with a great selection of options and exceptional proven performance. The standard in the field. Air, water, and other fluids compatible with standard Buna seals. Hot water, steam, gasoline, and many oils require special seal materials.

- The flagship valve initially created for fluid power industry.
- Heavy duty and made of stainless steel.
- A real workhorse with proven performance.
- It has the greatest amount of options available of all the valves.
- Wide range of orifice sizes from 1/32" to 1/4".

## OPERATING CONDITIONS

**Media:** Air, water, and other fluids compatible with standard Buna seals. Hot water, steam, gasoline, and many oils require special seal materials. (Series 20 pressure ratings may change due to the viscosity of the liquid.)\*

**Valve Temperature Range:** Standard Valves - 0°F (-18°C) to 104°F (40°C) ambient; 0°F (-18°C) to 150°F (65°C) media. Optional Valves - can tolerate much higher or much lower ambient and media temperatures.

**Maximum Operating Pressure Differentials:** See table on proceeding page.

**Burst Pressure:** 5000 PSI

**Leakage:** Bubble tight for standard valves.

**Vacuum:** To 5 Microns\*

## ELECTRICAL CHARACTERISTICS

**Coil Voltage:** 6 to 825V AC 60 HZ. and 5 to 720V AC 50 HZ. – 1.8 to 265V DC

**Nominal Power:** AC – 8.7 Watts DC – 9.5 Watts

**Coil Construction:** Non-molded Class A (Std.), Molded and Potted Class F or Class H (Opt.)

**Typical Response Time on Air:** 4 - 16 Milliseconds

**Operating Speed:** Up to 600 CPM

**Duty Cycle:** Continuous

## MECHANICAL CHARACTERISTICS

**Body:** Stainless Steel (Std.) or Brass (Opt.)

**Internal Components:** Stainless Steel

**Elastomers:** Nitrile (Buna) (Std.). Many other elastomers available.\*

**Orifice Diameter:** See table on proceeding page.

**Porting:** Standard 1/8" and 1/4" NPT (other ports available).\*

**Housing:** Grommet and 1/2" NPT conduit - many options available.\*

**Listings:** Most valves are UL and CSA listed.\*

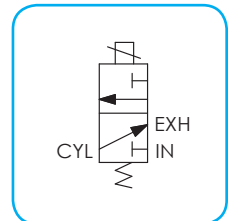
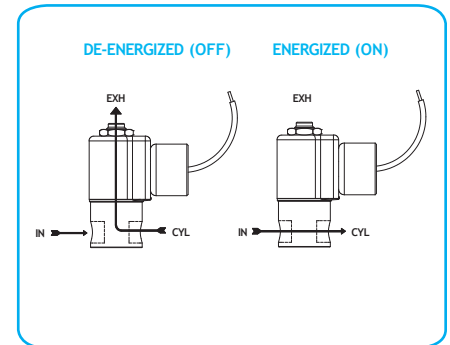
**Life Expectancy:** Millions of cycles, depending on application, lubrication, etc.

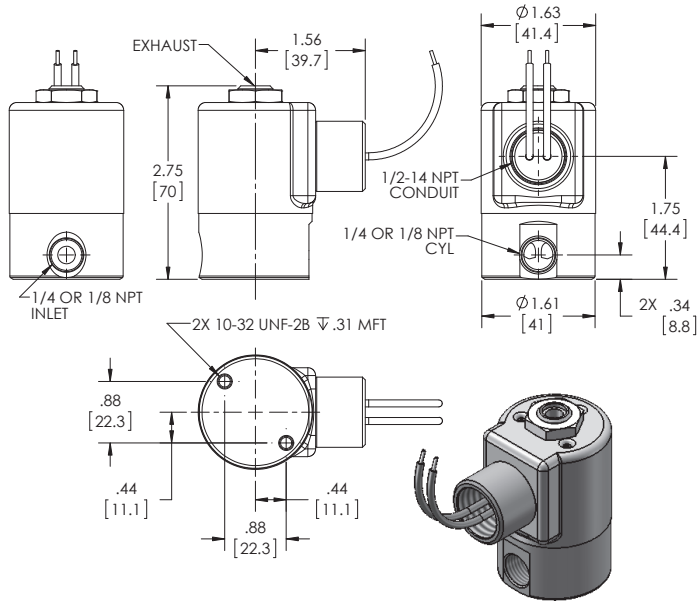
**Valve Weight:** Grommet Valve: 1.06 lb Conduit Valve: 1.13 lb

**Repair Packs:** See table on proceeding page.

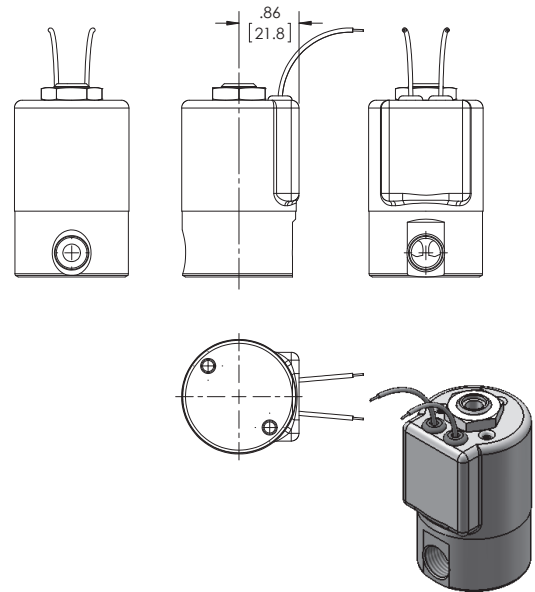
**Options:** Alternate Port Locations, Metering, Manual Override, Alternate Elastomers, Spade Terminal Coil, European Style DIN, Explosion Proof and Magnetic Latching Coil

\* Consult representative or factory for options and specifications.





**SERIES 20 MODEL 23  
3WNC EXHAUST TO ATMOSPHERE  
CONDUIT COIL CONNECTION**



**SERIES 20 MODEL 23  
3WNC EXHAUST TO ATMOSPHERE  
GROMMET HOUSING WITH LEADS**

## VALVE SPECIFICATIONS

+ MAX. OPER. PRESS. DIFF.		ORIFICE SIZE		CV FACTOR		VALVE NUMBER			
AC	DC	N.C.	N.O.	N.C.	N.O.	GROMMET HOUSING		CONDUIT HOUSING	
						1/8 NPT PORTS	1/4 NPT PORTS	1/8 NPT PORTS	1/4 NPT PORTS
400	400	1/32	1/32	.024	.024	23GG7DGV	23GG9DGV	23GG7DCV	23GG9DCV
150 (200)	150 (200)	3/64	1/16	.052	.095	23HJ7DGV	23HJ9DGV	23HJ7DCV	23HJ9DCV
100 (135)	100 (135)	1/16	1/16	.095	.095	23JJ7DGV	23JJ9DGV	23JJ7DCV	23JJ9DCV
100 (135)	100 (135)	1/16	3/32	.095	.156	23JK7DGV	23JK9DGV	23JK7DCV	23JK9DCV
75 (100)	75 (100)	3/32	3/32	.156	.156	23KK7DGV	23KK9DGV	23KK7DCV	23KK9DCV
50 (70)	50 (70)	1/8	3/32	.284	.156	23NK7DGV	23NK9DGV	23NK7DCV	23NK9DCV
35 (40)	35 (40)	1/8	1/8	.284	.201	23NN7DGV^	23NN9DGV^	23NN7DCV^	23NN9DCV^
20	20	3/16	3/32	.500	.156	23PK7DGV	23PK9DGV	23PK7DCV	23PK9DCV
20	20	3/16	1/8	.500	.201	23PN7DGV^	23PN9DGV^	23PN7DCV^	23PN9DCV^
15	—	1/4	3/32	.700	.156	23RK7DGV	23RK9DGV	23RK7DCV	23RK9DCV
15	—	1/4	1/8	.700	.201	23RN7DGV^	23RN9DGV^	23RN7DCV^	23RN9DCV^

^ VALVES WITH 1/8 N.O. ORIFICE ARE UL LISTED ONLY

WHEN ORDERING VALVES OR REPAIR PACKS ADD VOLTAGE AND FREQUENCY TO COMPLETE VALVE NUMBER. EXAMPLES: VALVE (23JK9DGV-120/60) REPAIR PACK (K23JKD-AC)

+ Ratings in brackets are optional extended ratings; consult factory.