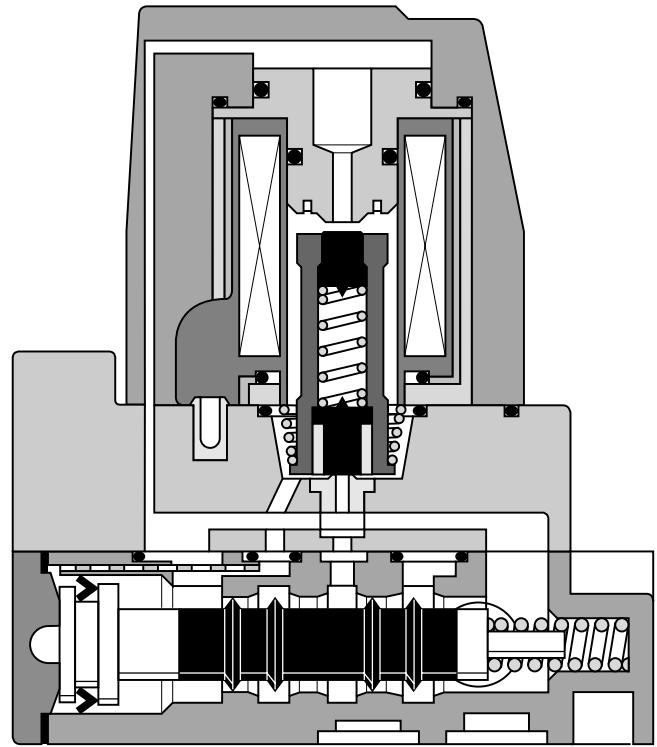
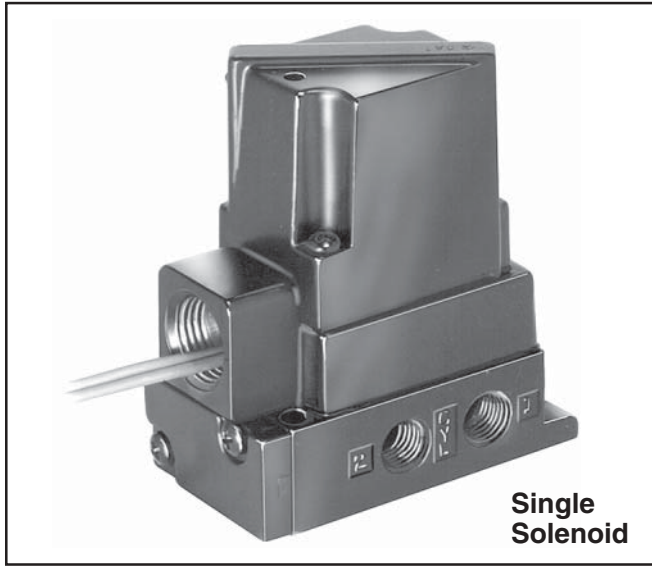


- Low power consumption, continuous duty coil. Molded nylon coil protects windings from moisture and corrosion.
- Single piece spool with molded Buna N seals. Provides millions of trouble free cycles.
- Easy to maintain – spool can be removed from valve without disturbing any plumbing or wiring.
- Large internal air passages provide high air flow capacities.
- Compact inline, for easy mounting.
- Porting, 1/4 inch.
- Single solenoid, spring return.
- $C_v = .9$.
- 35 to 150 PSIG (242 to 1035 kPa) operating pressure standard.
- Operating temperature range:
0°F to 140°F (-18°C to 71°C) ambient.

**Single Solenoid Pilot GG-200B**



Application

These valves are used to operate double acting cylinders. They may also be used as 2-Way or 3-Way valves by plugging ports. Valves are actuated by a maintained electrical contact.

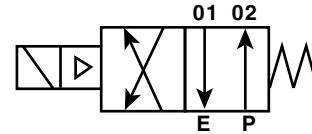
Mounting

These valves are designed for inline mounting.

Operation

De-energized – P to 02 - 01 to E.

Energized/Pressurized – P to 01 - 02 to E.



Model Selection Information

Port Size	Valve	Model Number
1/4" NPTF	Solenoid	GG20025B01

Historical Model Number Index

Basic Series	Indicator Light	Valve Function	Porting	Port Size	Engineering Level	Voltage	Modification																																								
GG	—	20	0	25	B	01	—																																								
Indicator Light Blank w/o Indicator Light L With Indicator Light (Voltage Suffix 01 & 02 Only)		Porting 0 Side 1/4" NPT 2 Bottom "O" ring		Port Size 25 1/4 inch	Engineering Level B Current	Modification Blank No Modification M01 Non-Locking Manual Override with 72 inch Leads M02 Non-Locking Manual Override M03 Locking Manual Override with 72 inch Leads M04 Knob Type Non-Locking Manual Override M05 Knob Type Locking Manual Override M06 Knob Type Locking Manual Override with 72 inch Leads M13 Locking Manual Override M16 72 inch Leads																																									
Valve Function 20 Single Solenoid Operated with Conduit Connection			Voltage / Frequency <table border="1"> <thead> <tr> <th>Suffix</th> <th>60Hz.</th> <th>50Hz.</th> <th>DC</th> </tr> </thead> <tbody> <tr> <td>01</td> <td>120V</td> <td>110V</td> <td>—</td> </tr> <tr> <td>02</td> <td>240V</td> <td>220V</td> <td>—</td> </tr> <tr> <td>15</td> <td>—</td> <td>—</td> <td>48V</td> </tr> <tr> <td>20</td> <td>24V</td> <td>22V</td> <td>—</td> </tr> <tr> <td>21</td> <td>—</td> <td>—</td> <td>12V</td> </tr> <tr> <td>22</td> <td>—</td> <td>—</td> <td>24V</td> </tr> <tr> <td>23</td> <td>—</td> <td>—</td> <td>125V</td> </tr> <tr> <td>58</td> <td>—</td> <td>—</td> <td>250V</td> </tr> <tr> <td>59</td> <td>—</td> <td>120V</td> <td>—</td> </tr> </tbody> </table> Voltage Range +10/-15% Nominal					Suffix	60Hz.	50Hz.	DC	01	120V	110V	—	02	240V	220V	—	15	—	—	48V	20	24V	22V	—	21	—	—	12V	22	—	—	24V	23	—	—	125V	58	—	—	250V	59	—	120V	—
Suffix	60Hz.	50Hz.	DC																																												
01	120V	110V	—																																												
02	240V	220V	—																																												
15	—	—	48V																																												
20	24V	22V	—																																												
21	—	—	12V																																												
22	—	—	24V																																												
23	—	—	125V																																												
58	—	—	250V																																												
59	—	120V	—																																												

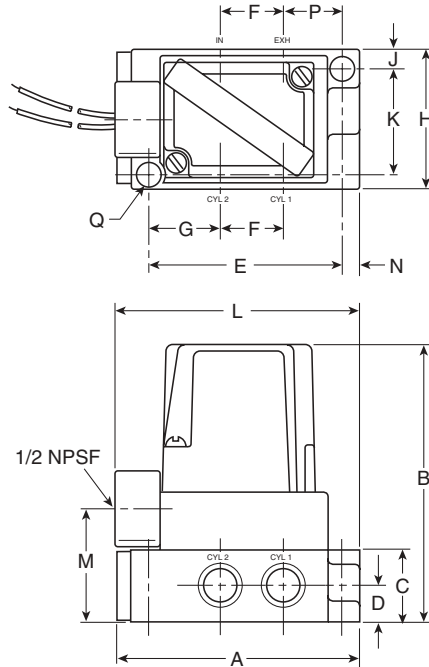
Note: Shaded options have been discontinued. Refer to back of Catalog for Cross Reference Information.

Inline – Side Ports 1/4" NPT

GG-200 Single Solenoid Pilot Maintained Contact 2-Position, 4-Way, 4-Ported.

Dimensions:

	inches	mm
A	3.44	87
B	3.88	99
C	.99	25
D	.50	13
E	2.75	70
F	.88	22
G	1.00	25
H	1.95	50
J	.28	7
K	1.44	37
L	3.50	89
M	1.60	41
N	.19	5
P	.70	17
Q	.28	7
Dia.	.28	7



Service Kits Available

Valve Body Service Kit:

(consists of items #
 21, 22, 24, 25, 26, & 28)

PS5386

Solenoid Service Kit:

(consists of items #
 5, 6, 7, 8, 9, 10, 13, & 14)

PS5387

Note: Two kits are required to service a double solenoid valve.

Manual Override Kits:

Flush Style - Non-Locking
 Knob Style - Locking

PL78668
 PL78671

Parts Identification List

Item #	Description
1	Solenoid Assembly
2	Solenoid Cover with captive mounting screws
3	Solenoid Coil
4	Flux Sleeve
5	Compression Gasket
6	Top Seat
7	Small O-ring for top seat
8	Large O-ring for top seat
9	Solenoid Plunger Assembly
10	O-ring for coil
11	Flux Plate
12	O-ring for flux plate
13	Molded Gasket for solenoid cover to conduit adapter
14	Spring for plunger
15	Conduit Adapter Assembly
16	Conduit Body
17	Electrical Leads
18	Mounting Screws - conduit body to valve body (not shown)
19	Valve Body Assembly
20	Valve Body
21	Return Spring
22	Spring Guide Pin
23	Molded Gasket for valve body to conduit body
24	Stem Assembly
25	Lip Seal
26	Molded Gasket for end cap to valve body
27	End Cover
28	Mounting Screws - end cap to valve body (not shown)
29	Solenoid Coil With Indicator Lamp
30	Solenoid Cover With Lens Assembly
31	Cover Mounting Screws (not shown)

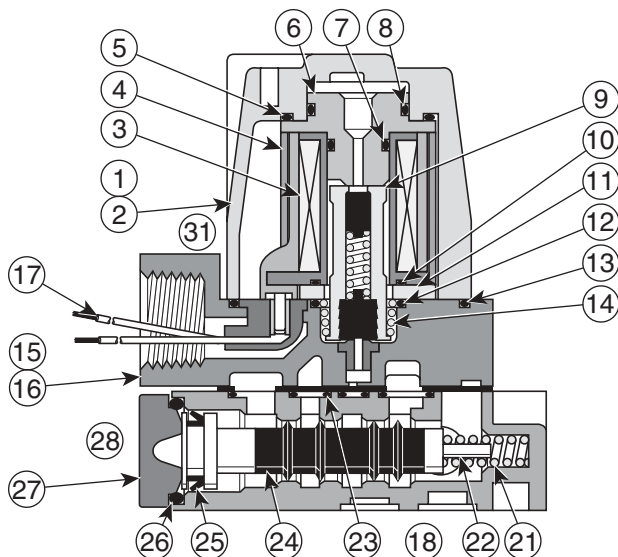


Figure 1: GG Valve Assembly

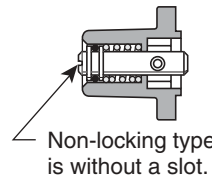


Figure 2:

Flush Style Manual Override

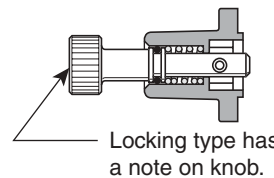


Figure 3:

Knob Style Manual Override

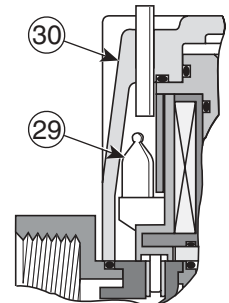


Figure 4: Indicator Lamp

Obsolete GG Valve	Suggested Replacement	Notes	Alternate GG Valve	Notes
GG20025B01M01	F3E12BGB23A		GG20025B01M02	3
GG20025B01M03	F3E12BHB23A		GG20025B01M13	3
GG20025B01M04	F3E12BJA23A		GG20025B01M02	4
GG20025B01M06	F3E12BGB23A		GG20025B01M05	3
GG20025B01M16	F3E12BGB23A		GG20025B01	3
GG20025B02M01	F3E12BGB87A		GG20025B02M02	3
GG20025B02M03	F3E12BHB87A		GG20025B02M05	3, 5
GG20025B15	NO CROSS VOLTAGE 48VDC	2	N/A	2
GG20025B20	F3E12BGA12A		N/A	2
GG20025B22M01	F3E12BGB19A		GG20025B22M02	3
GG20025B22M04	F3E12BJA19A		GG20025B22M02	4
GG20025B22M16	F3E12BGB19A		GG20025B22	3
GG20025B23	NO CROSS VOLTAGE 125VDC	2	N/A	2
GG20225B01	F3E52BGA23A	1	N/A	2
GG20225B01M01	F3E52BGB23A	1	N/A	2
GG20225B01M02	F3E52BGA23A	1	N/A	2
GG20225B01M03	F3E52BHB23A	1	N/A	2
GG20225B01M05	F3E52BKA23A	1	N/A	2
GG20225B01M06	F3E52BKB23A	1	N/A	2
GG20225B01M16	F3E52BGB23A	1	N/A	2
GG20225B02M05	F3E52BKA87A	1	N/A	2
GG20225B02M05	F3E52BKA87A	1	N/A	2
GG20225B21	F3E52BGA15A	1	N/A	2
GG20225B22	F3E52BGA19A	1	N/A	2
GG20225B22M01	F3E52BGB19A	1	N/A	2
GG20225B22M04	F3E52BJA19A	1	N/A	2
GG20225B22M04	F3E52BJA19A	1	N/A	2
GGL20025B01	F3E12BGA23A		GG20025B01	6
GGL20025B01M01	F3E12BGB12A		GG20025B01M02	3, 6
GGL20025B01M02	F3E12BGA23A		GG20025B01M02	6
GGL20025B01M05	F3E12BJA23A		GG20025B01M05	6
GGL20025B01M13	F3E12BKA23A		GG20025B01M05	6
GGL20025B02	F3E12BGA87A		GG20025B02	6
GGL20225B01M02	F3E52BGA23A	1	N/A	2
GGL20225B01M06	F3E52BKB23A	1	N/A	2

Notes

1. The GG202 Valve is a Bottom Ported Valve for Manifold Mounting. Review of Application is Required. The F3 Valve Selected is a Valve Attached to a Manifold Base.
2. Use Repair Kits to Service the Valve.
3. The GG Valve selected has 18" Leads instead of 72" Leads.
4. Flush type override instead of Knob type.
5. Knob type override instead of Flush type.
6. The same without lights