


NTN BEARING CORPORATION OF AMERICA

Head Office

1600 E. Bishop Court, P.O. Box 7604

Mount Prospect, IL 60056-7604, U.S.A.

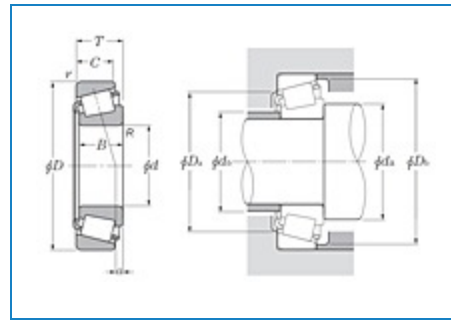
Phone: 847-298-7500

Fax: 847-699-9744

Toll Free: 800-323-2358

Email: mkt@ntnamerica.com
Website: www.ntnamericas.com

Item # 30314, Tapered Roller Set - Metric Series


[Order Now](#) | [Technical Specifications](#) | [Dimensional Specifications](#)

Order Now

Ordering Options

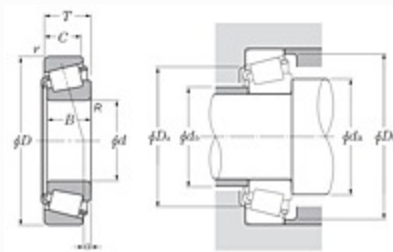
[Order Online through NTN DOL](#)
[Contact NTN Customer Relations](#)
[Search for a Licensed Distributor](#)

Technical Specifications

Type	Tapered Roller Bearing
Bore Type	Round
Material	Through Hardened Steel
Limiting Speed - Oil	3500 RPM
Limiting Speed - Grease	2600 RPM
Style	Cone & Cup

Precision Rating	Class 0
Configuration	One
Lubrication	w/o Oil Hole
e (Axial Load Factor)	0.35
Y2 (Axial Load Factor)	1.74
Y0 (Axial Load Factor)	0.96
Static Load Rating	61000 lbf 272000 N 272.00 kN
Dynamic Load Rating	51500 lbf 230000 N 230.00 kN
Enclosure	Open
Weight	6.746 lb 3.060 kg
Operating Temperature Range	-40 to 250 °F -40 to 120 °C

Dimensional Specifications



Tapered Roller Set - Metric Series - Dimensions

d	2.7559 in 70.000 mm
D	5.9055 in 150.000 mm
C	1.1811 in 30.000 mm

B	1.3780 in 35.000 mm
a (Effective Load Center)	-0.3150 in -8.000 mm
T	1.4961 in 38.000 mm
r	0.0800 in 2.000 mm
R	0.10 in 2.5 mm
da	3.31 in 84.0 mm
db	3.50 in 89.0 mm
Da	5.43 in 138.0 mm
Da min	5.12 in 130.0 mm
Db	5.51 in 140.0 mm