

MFG.SERIAL NO.		REV
D 411247-0662		2

INSTRUMENT SHEET

Page: 1/1

REV No.	TAG NO.	VALVE NAME	VALVE CODE NO.		DN (A)	QTY	END CONNECTION		OP. AC.	F L U I D		TEMPERATURE (°C)	OUTLINE & SECTION SHEET NO.	ACCESSORIES						NAME PLATE SHEET NO
			BODY MATERIAL *1	DIAPHRAGM & SEAT MATERIAL *2			DISK & BALL MATERIAL *3	POSITION *4		ACTUATOR CODE NO.	OPERATING PRESS.			INLET PRESS. (bar(G))	OUTLET PRESS. (bar(G))	ΔP (bar(G))	ACCESSORIES OF ARRANGEMENT SHEET NO.	1	2	
1	50MAG15AA905	CONDENSER WATER BOX A OUTLET SIDE VENT VALVE	POSH1430(04)N-CR	FCD-S/HRL	050	1	ANSI CL150 FF	A	SEA WATER/AIR	50	SEA WATER/AIR	50	1	4	MW (IP67)	5	E (IP56)	6	V	9
0013				CR		12	4 bar(G)	R		4.6		4.6	2	7	G	8	QS			
1	50MAG15AA904	CONDENSER WATER BOX A INLET SIDE VENT VALVE	POSH1430(04)N-CR	FCD-S/HRL	100	1	ANSI CL150 FF	A	SEA WATER/AIR	40	SEA WATER/AIR	40	1	4	MW (IP67)	5	E (IP56)	6	V	10
0023				CR		25	4 bar(G)	R		4.6		4.6	3	7	G	8	QS			
1	50MAG16AA905	CONDENSER WATER BOX B OUTLET SIDE VENT VALVE	POSH1430(04)N-CR	FCD-S/HRL	050	1	ANSI CL150 FF	A	SEA WATER/AIR	50	SEA WATER/AIR	50	1	4	MW (IP67)	5	E (IP56)	6	V	9
0033				CR		12	4 bar(G)	R		4.6		4.6	2	7	G	8	QS			
1	50MAG16AA904	CONDENSER WATER BOX B INLET SIDE VENT VALVE	POSH1430(04)N-CR	FCD-S/HRL	100	1	ANSI CL150 FF	A	SEA WATER/AIR	40	SEA WATER/AIR	40	1	4	MW (IP67)	5	E (IP56)	6	V	10
0043				CR		25	4 bar(G)	R		4.6		4.6	3	7	G	8	QS			

PAINTING SPECIFICATION (INDV. STANDARD)	PAINT TYPE	PAINT NAME	FINISH COLOR	
	UNDER COAT	EPOXY MODIFIED RESIN	UNI GROUND E SMILE	-
	TOP COAT	PHTHALIC ACID RESIN	UNI PAC NEO STANDARD	SILVER

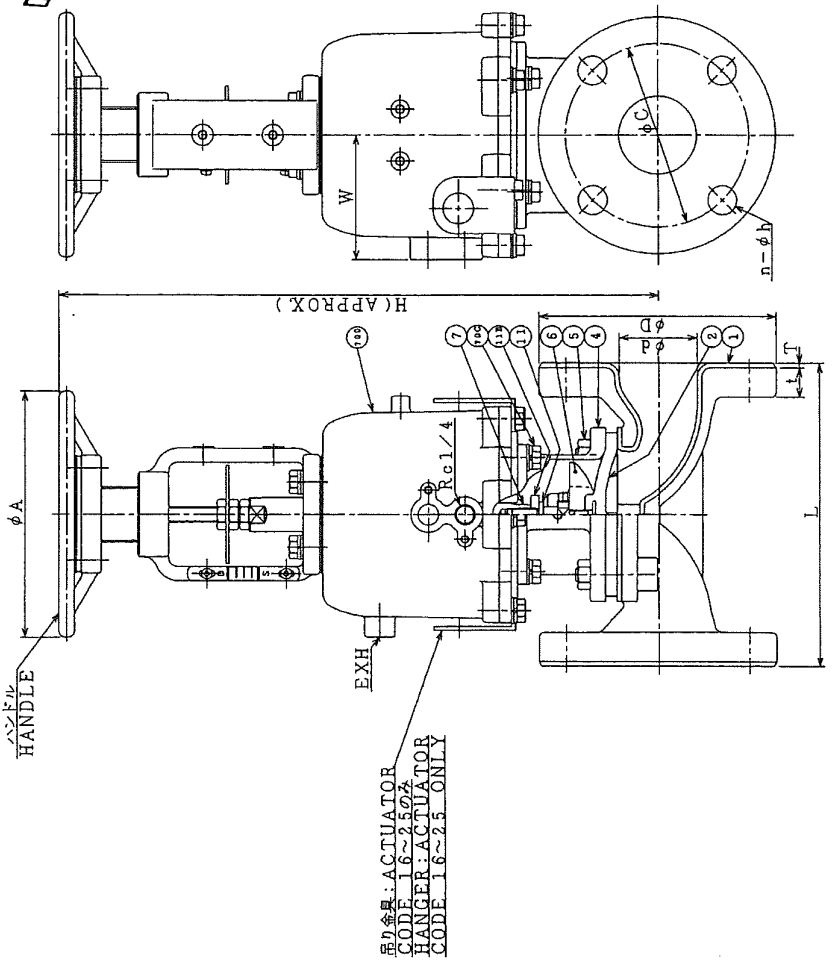
OPEN-SHUT: WITHIN 15 SECONDS

SO.No. D41247-0662
001~004

DN	d	L	H	W	A	ACTUATOR APPROX PRESSURE		Q ¹ TY
						CODE	MPa	
						POS14N-	LINE	
15	15	107	326	56	160	07	5.1	
20	19	123	328	56	160	07	5.3	
25	25	132	350	64	160	09	5.8	
25	25	132	334	56	160	07	6.6	
25	25	132	356	64	160	09	7.1	
40	38	165	363	82	160	12	8.9	
40	38	165	376	64	160	09	9.2	
40	40	165	502	101	250	16	11.0	0.4
50	51	197	391	82	160	12	13.3	
50	50	197	517	101	250	16	20.9	
65	64	222	538	101	250	16	24.7	
80	76	260	612	122	250	20	35.5	
80	80	260	686	147	400	25	54.5	
100	100	313	840	122	250	20	43.7	
100	100	313	714	147	400	25	62.7	

DN	JIS 10K FF				ANSI CL150 FF				t	T
	D	C	n	h	D	C	n	h		
15	95	70	4	15	89	60.3	4	16	13	3
20	100	75	4	15	98	69.9	4	16	13	3
25	125	90	4	19	108	79.4	4	16	13	3
40	140	105	4	19	127	98.4	4	16	16	3
50	155	120	4	19	152	120.6	4	20	19	3
65	175	140	4	19	178	139.7	4	20	19	3
80	195	150	8	19	191	152.4	4	20	19	3
100	210	175	8	19	229	190.5	8	20	22	4

備考: 77サイズ厚み出英標準規格 (JIS) による。
NOTE: THICKNESS OF FLANGE CONFORM TO BS10 TABLE D



吊り金具: ACTUATOR
CODE 16~25のみ
HANGER: ACTUATOR
CODE 16~25 ONLY

* ダイアフラム材料	
NR:	DIAPHRAGM MATERIAL
NR:	NATURAL RUBBER
CR:	クロロブレンダム
CR:	CHLOROPRENE RUBBER
AB:	ニトリルブタジエンゴム
AB:	NITRILE BUTADIENE RUBBER
BG:	77サイズ
BG:	BUTYL RUBBER
EP:	エチレンプロピレンゴム
EP:	ETHYLENE-PROPYLENE RUBBER

NO.	ACTION	PART NAME	MATERIAL	QTY	REMARKS
700	駆動部	ACTUATOR	SUS304	1	
70C	六角ボルト	BOLT	SUS304	4~8	
11B	硬金	WASHER	SUS304	1	
11	コンプレッサ吊	CONNECTOR	SUS304	1	
7	スピンドル	SPINDLE	SUS304	1	
6	コンプレッサ	COMPRESSOR	ADC12	1	
5	ボルト、ナット	BOLT&NUT	SUS304	4~8	
4	ボンネット	BONNET	SCPH2	1	
2	ダイヤフラム	DIAPHRAGM	*	1	
1	本体	BODY	FCD-S +HRL	1	77サイズ専用 ROBER LINEH

SHEET #

TITLE 空気操作式ダイヤフラム弁
PNEUMATIC OPERATED DIAPHRAGM VALVE
CODE NO. POSH1430(04)N-15/100-A150FF
DRAWN A.NAGANO
DATE 18.10.5
NO. FB0625-760B 0

NDV NIPPON DAIYA VALVE CO., LTD.
TOKYO JAPAN

REV 0 DATE 18.10.5 DRAWN A.NAGANO