

[TopPage](#)>>[Search Result](#)>>NU310EG

Cylindrical Roller Bearings

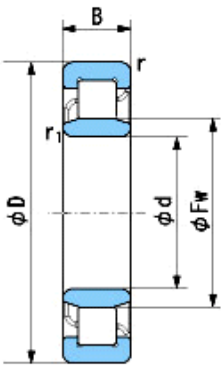
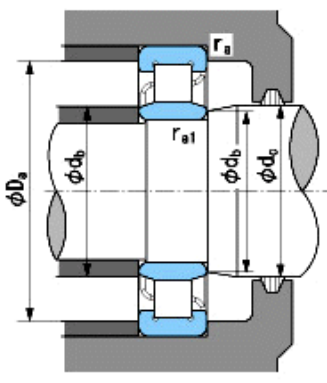
Bearing No. : **NACHI NU310EG**

■ Bearing Type **NU** ▼

■ Clearance **CN(Normal)** ▼

(0.030~0.060)

■ Tolerance Class **Normal Class** ▼

<p>Dimensions</p> <p>d = 50 0 -0.012</p> <p>D = 110 0 -0.015</p> <p>B = 27 0 -0.120</p> <p>r = 2~3 (Radial Direction)</p> <p>r = 2~4.5 (Axial Direction)</p> <p>r1 = 2~3 (Radial Direction)</p> <p>r1 = 2~4.5 (Axial Direction)</p> <p>Fw = 65</p>			<p>Dimensions</p> <p>db(min) = 60</p> <p>db(max) = 63</p> <p>dc(max) = 67</p> <p>Da(max) = 100</p> <p>ra(max) = 2</p> <p>ra1(max) = 2</p> <p>Mass = 1.17 kg</p>																	
<p>Basic Dynamic Load Rating Cr : 110,000 N</p> <p>Basic Static Load Rating Cor : 113,000 N</p> <p>Limiting Speed ;</p> <p>Grease Lubrication : 5,400 min⁻¹</p> <p>Oil Lubrication : 6,500 min⁻¹</p>	<p>O.D.Surface Runout with Side :</p> <p>Axial Runout with Bore : -</p> <p>Axial Runout with Raceway : -</p> <p>Width Variation : 0.020</p> <p>Radial Runout : 0.015</p>	<table border="1"> <thead> <tr> <th></th> <th>INNER RING</th> <th>OUTER RING</th> </tr> </thead> <tbody> <tr> <td>O.D.Surface Runout with Side :</td> <td></td> <td>-</td> </tr> <tr> <td>Axial Runout with Bore :</td> <td>-</td> <td>-</td> </tr> <tr> <td>Axial Runout with Raceway :</td> <td>-</td> <td>-</td> </tr> <tr> <td>Width Variation :</td> <td>0.020</td> <td>0.020</td> </tr> <tr> <td>Radial Runout :</td> <td>0.015</td> <td>0.035</td> </tr> </tbody> </table>		INNER RING	OUTER RING	O.D.Surface Runout with Side :		-	Axial Runout with Bore :	-	-	Axial Runout with Raceway :	-	-	Width Variation :	0.020	0.020	Radial Runout :	0.015	0.035
	INNER RING	OUTER RING																		
O.D.Surface Runout with Side :		-																		
Axial Runout with Bore :	-	-																		
Axial Runout with Raceway :	-	-																		
Width Variation :	0.020	0.020																		
Radial Runout :	0.015	0.035																		

[Back](#)

[Calc](#)

[DXF](#)

[Print](#)