

S5000 -

MATERIAL
 2 = STAINLESS STEEL / IB-H2 / B, C, D
 3 = STAINLESS STEEL / A

RELAY STATE
 0 = No Relays
 1 = Non-latch Alarm / Non-latch Warm De-Energized
 2 = Latch Alarm / Non-latch Warm Energized
 3 = Latch Alarm / Latch Warm Energized
 4 = Latch Alarm / Latch Warm De-Energized
 5 = Non-latch Alarm / Non-latch Warm De-Energized
 6 = Non-latch Alarm / Non-latch Warm Energized
 7 = Non-latch Alarm / Latch Warm De-Energized
 8 = Non-latch Alarm / Latch Warm Energized

OUTPUTS
 1 = Bluelight / Modbus / HART 3.5 mA
 2 = Bluelight / Modbus / HART 3.5 mA / RELAYS
 3 = Bluelight / Modbus / HART 3.5 mA / RELAYS
 4 = No Bluelight / Modbus / HART 3.5 mA / RELAYS
 5 = No Bluelight / Modbus / HART 3.5 mA / RELAYS
 6 = No Bluelight / Modbus / HART 3.5 mA / RELAYS
 7 = No Bluelight / Modbus / HART 3.5 mA / RELAYS

AGENCY APPROVAL
 1 = ATEX / IECEx
 2 = FM
 3 = FMETRO
 4 = Marine (MED)
 5 = Marine (LO)

CUSTOM FEATURES
 00 = None (Std)
 01 = HART Off / Factory Setting
 02 = SS Top Hat Off (Factory Laser)
 03 = Setting, customer can enable
 04 = UJ Assy - 1 with Bluelight Disabled
 05 = Bluelight Assy - 1 with Bluelight Disabled

SENSOR #2 (See User Manual for Gas Sensor/Code List)
 000 = Digital Sensor (only if sensor #1 is RoX or DoS)
 100 = Digital Sensor (only if sensor #1 is RoX or DoS)

PAINT OPTIONS
 1 = Gray
 2 = Blue
 3 = Yellow
 4 = White

REV.	DESCRIPTION	DATE	APPROV.	DATE
00	PRODUCTION RELEASE	17/09/17	SR	18/08/18
01	REVISED TO ADD COMMENTS	27/02/18	TV	18/08/18
02	REVISED TO ADD COMMENTS	12/04/18	SR	18/08/18
03	REVISED TO ADD COMMENTS	12/04/18	SR	18/08/18
04	REVISED TO ADD COMMENTS	12/04/18	SR	18/08/18
05	REVISED TO ADD COMMENTS	12/04/18	SR	18/08/18

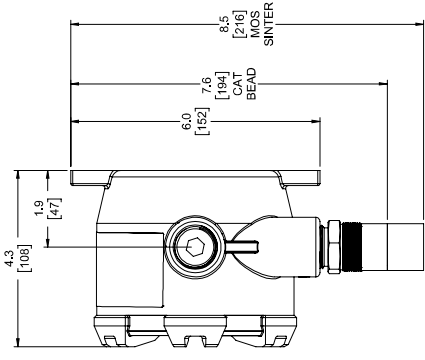
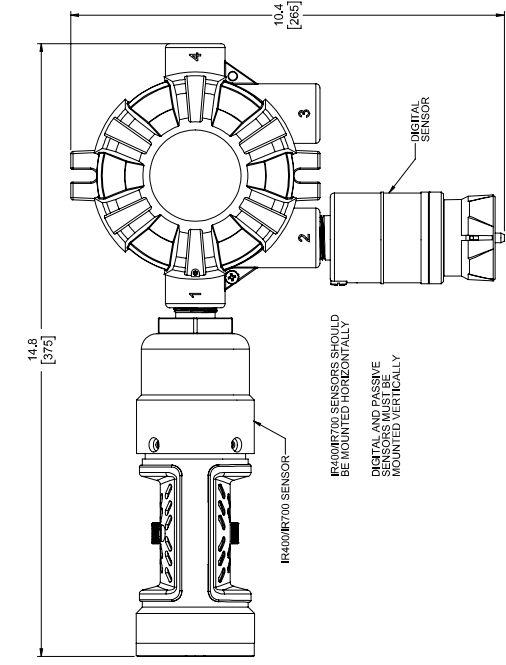
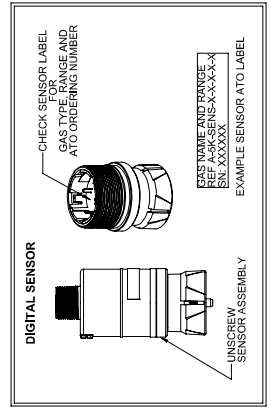


TABLE 1 (ENGLISH)

Max Power (W)	16AWG (ft)	14AWG (ft)	12AWG (ft)
6.0	2030	3220	5130
10.8	1130	1790	2860
6.0	2030	3220	5130
3.6	3380	5370	8550
8.9	860	1370	2190
11.8	650	1040	1660
9.6	800	1270	2020
Digital Toxic			3210

TABLE 1 (METRIC)

Max Power (W)	1mm ² (mm)	1.5mm ² (mm)	2.5mm ² (mm)	4mm ² (mm)
6.0	470	710	1180	1890
10.8	260	390	660	1050
6.0	470	710	1180	1890
3.6	790	1160	1970	3150
8.9	320	480	800	1280
11.8	240	360	600	960
9.6	290	440	740	1180
Digital Toxic				

* CONSIDER 1 AMP IN-RUSH CURRENT WITH A 1 ms DURATION FOR EACH \$5000 ON THE POWER SUPPLY. USERS MUST READ AND UNDERSTAND INSTRUCTION MANUAL MANS5000.

UNLESS OTHERWISE SPECIFIED, THE INFORMATION AND TECHNICAL DATA SPECIFIED BY THIS DOCUMENT MAY BE USED AND DISSEMINATED ONLY FOR THE PURPOSES AND IN THE EXTENT PERMITTED BY THE APPLICABLE EXPORT CONTROL REGULATIONS. ALL OTHER RIGHTS ARE RESERVED. THIS DOCUMENT IS THE PROPERTY OF GENERAL MONITORS, INC. AND IS NOT TO BE REPRODUCED OR TRANSMITTED IN ANY FORM OR BY ANY MEANS, ELECTRONIC OR MECHANICAL, INCLUDING PHOTOCOPYING, RECORDING, OR BY ANY INFORMATION STORAGE AND RETRIEVAL SYSTEM.

GENERAL MONITORS, INC. 1049417
 BLACKMARRAN, IRELAND
 CHICK, N.C.KCCONE 1049417
 G.BAI 1049417

General Monitors by Rock
 LAKE FOREST, CA, USA
 GALWAY, IRELAND

TITLE: **D INSTALLATION OUTLINE, S5000**

CUSTOMER: _____
 P.O. NO.: _____
 G.M. NO.: _____
 LOCATION: _____
 TAG NO.: _____
 TOTAL NO. OF UNITS: _____

DRAWING NO.: **324102** SHEET NO.: **4**
 REV: **Production**

SCALE: 1:1 SHEET 1 OF 10