



MINGRONG  
ELECTRICAL PROTECTION

# Professional + Manufacturing

## Fuse Product catalogue

H.V. Fuse Links, L.V. Fuse Links, Fuse Bases, Fuse Carriers  
Fusegears, Fuse Alarms, Automobiles Fuse



Product Catalogue

English Version

**MINGRONG**  
ELECTRICAL PROTECTION

**ZHEJIANG MINGRONG ELECTRICAL PROTECTION CO., LTD**

Add: Wei 11th Road, Economic Development Zone, Yueqing, Zhejiang, PR China

Tel: +86-577-62668813

Fax: +86-577-62668822

P.C.: 325600

Http: //www.mingrong.com

E-mail: [foreignsales@mingrongep.com](mailto:foreignsales@mingrongep.com) [info@mingrongep.com](mailto:info@mingrongep.com)

All rights reserved. No plagiarize and copy is allowed.



**MINGRONG**  
ELECTRICAL PROTECTION

**ZHEJIANG MINGRONG ELECTRICAL PROTECTION CO., LTD**



ZHEJIANG MINGRONG ELECTRICAL PROTECTION CO., LTD



ZHEJIANG MINGRONG ELECTRICAL PROTECTION CO., LTD, the foreign-invested enterprise, is one of the most famous and professional manufacturers of high-voltage and low-voltage fuse and fusegear. Company covers an area of 93,400 m<sup>2</sup>, with building area of 66,000 m<sup>2</sup> and employs 480 people.

Company has strong technical capabilities, professional know-how, and advanced manufacturing equipments. With the standard quality control, the advanced check-out facility, the first-class surveillance and measure method, we continuously pursuit highest standard of product quality and make 'MIRO' a well-known and trustworthy brand in extensive customers. We have got ISO9001 and ISO14000 approval, CE and UL certificates as well as CCC on many products. The products are widely applied in lots of industries: electric power, petrochemical, machinery, metallurgy, building, telecom, traction and so on. With 28 series and 1000 more varieties, our products are popular throughout China and overseas.

We have gained excellent reputation from customers both in the domestic and the overseas markets for the well established quality system and reliable services. Meeting customers' demands and offering the best product and service will always be our goal continuously. And it will be also our great pleasure at your requests at any time.

## Brief Introduction

Leading speciality Superexcellent quality



## Bolt Connected Fuse Links



### ► Applications

Protection against overload and short-circuit in electric lines (type gG), also available for protection of semiconductor parts and equipment against short-circuit (type aR) and protection of motors (type aM).

Rated voltage up to 1200V; Rated current up to 630A; Working frequency 50Hz AC; Rated breaking capacity up to 80KA. Compliant with GB13539 and IEC269.

### ► Basic Data

The models, dimensions, ratings are shown in Figures 5.1~5.11 and Tables 5.

### ► Design Features

Variable cross-section fuse element made from pure copper or silver sealed in cartridge made from high-duty ceramic or epoxy glass. Fuse tube filled with chemically treated high-purity quartz sand as arc-extinguishing medium. Dot-welding of fuse element ends to the terminals ensures reliable electric connection and forms insert knife type contacts. Striker may be attached to the fuse link to provide immediate activation of microswitch to give various signals or cut the circuit automatically.

Table 5

Cat. No.	Models		Cross-reference		Rated voltage (V)	Rated current (A)	Dimensions/size (mm)								Weight (g)	
	MIRO		gG(Normal)	aR(Fast)			Fig.	A	B	C	φD	E	F	H		φd
0501	RGOK	RGSOK	NIT	-	415	1-32	5.1	34	45	55	13.5	11	0.8	14.5	5	14.4
0502	RG1K	RGS1K	-	-	500	40-63	5.1	54	73	85	22	13	1.2	25	6.5	60
0503	RG2	RGS2	TIS RT12-63	-	500	40-100	5.1	56	75	88	25.5	13	1.2	27	6.5	73.8

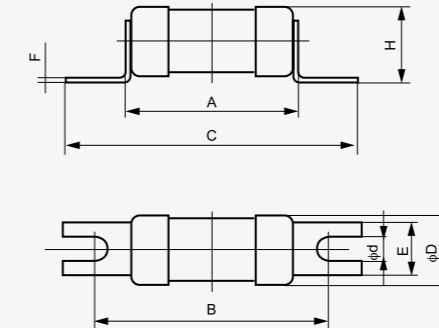


Figure 5.1

Table 5 (cont.)

Cat. No.	Models		Cross-reference		Rated voltage (V)	Rated current (A)	Dimensions/size (mm)								Weight (g)	
	MIRO		gG(Normal)	aR(Fast)			Fig.	A	B	C	φD	E	F	H		φd
0504	RG1	RGS1	TIA	-	500	4-35	5.2	54	73	85	22	9.5	1.5	25	5.5×7.5	55
0505	RG4	RGS4	-	GSG	660/800	10-63	5.2	49.5	61	77	16.5	12.5	2.0	18	6.5×9	32
0506	RG6	RGS6	-	GSA	500	80	5.2	68	94	113	31	19	2.0	33	9×11.5	146
0507	RG7	-	TCP	-	500	100	5.2	68	94	113	34	19	2.0	35	9×11.5	228
0508	RG7A	RGS7A	-	PC10D	500	110-150	5.5	57	90	119	38	24	3.0	40	10.5	178
0509	RG11	RGS11	-	CR2L GSB	250	16-75	5.2	27.5	42	56	16.5	12.5	2.0	17.5	6.5×9	25
0510	RG12	RGS12	-	CR2L GSB	250	75-175	5.2	31.5	58	80	26	19	3.0	27	9×11.5	79.5
0511	RG14	RGS14	-	GSB	500	5-20	5.2	31	37	46	8.5	7	0.8	9.5	4.5×6	6
0512	RG14B	RGS14B	-	GSB	500	5-20	5.2	54	64	73	8.5	7	0.8	9.5	4.5×6	8.5
0513	RG15	RGS15	-	CR2L GSB	250	200	5.2	34	60	88	30	25	3.0	36	11×13	120
0514	RG17	RGS17	-	GSB	500	40-100	5.2	54	78	96	22.2	20.5	2	24	9×12	62.3
0515	RG18	RGS18	-	CR6L	600	75-150	5.2	40	70	95	30	25	3.2	33	11×13	147
0516	RG19	RGS19	-	CR6L	600	200-250	5.2	43	82	107	37	30	4.0	42	11×13	219
0517	RG0H	-	AAO	-	500	2-32	5.2	34	72	84	13.5	9.4	1.2	15	5.5×7.8	18
0518	RG4AD	RGS4AD	-	250GH	250	32-160	5.2	29	56	77	23.8	20	3	25.5	9×14	39
0519	RG4A	RGS4A	-	660GH	660	125-200	5.2	50	77	98	23.8	20	3	25.5	9×14	53
0520	RG4B	RGS4B	-	660GH	660	225-315	5.2	50.5	82	108	31	25	3	34	10.5×16	75

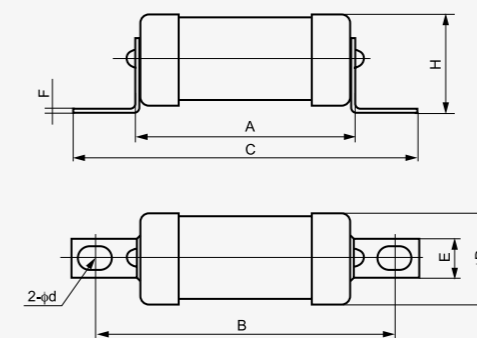


Figure 5.2

