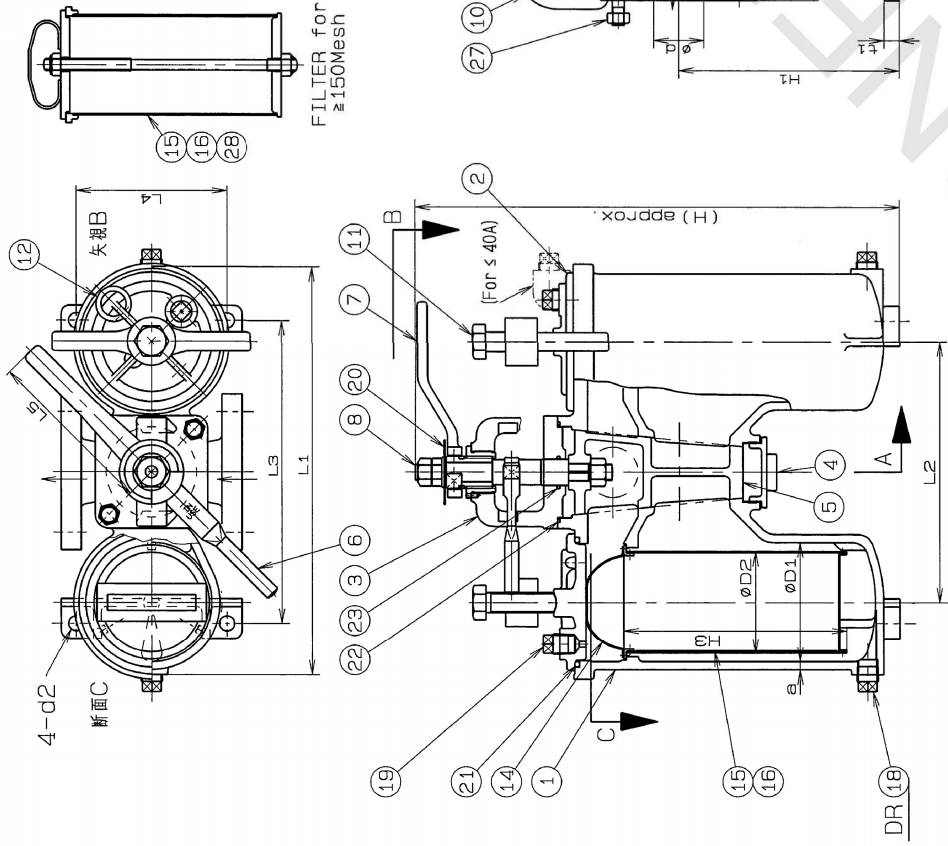


**MBFP LUBE OIL FILTER
50LAV50 AT010**



DIMENSION LIST (寸法表)

NOMI. DIA. (公称)	d	L	L1	FLANGE		BODY & COCK					LEGES					DR	O-RING			FILTER		CALC. MASS (#1) (kg)					
				D	t	L2	H1	H2	D1	a	L3	L4	t1	d2	(18)		(21)	(22)	(23)	D2	H3		AR				
32A	40	180	390	135	100	4	M16	20	480	254	215	271	105	8	170	296	146	15	15	PT1/2	P102	695	P26	88	202	23	42
40A	40	180	390	140	105	4	M16	20	480	254	215	271	105	8	170	296	146	15	15	PT1/2	P102	695	P26	88	202	23	42
50A	50	180	415	155	120	4	M16	20	490	260	219	285	120	8	170	302	150	15	15	PT1/2	P120	695	P26	103	225	14	46
65A	65	215	514	175	140	4	M16	22	600	324	273	358	150	9	200	375	185	18	19	PT3/4	G150	G120	P32	129	289	14	82
80A	80	245	600	185	150	8	M16	22	690	380	312	414	175	10	250	440	215	20	19	PT3/4	G175	G145	P38	150	339	13	125
100A	100	285	718	210	175	8	M16	24	825	456	371	497	210	12	300	524	255	22	23	PT3/4	G210	G175	P45	175	409	12	202
125A	125	330	852	250	210	8	M20	24	975	544	431	588	250	14	350	620	305	24	23	PT3/4	G250	G220	P55	202	482	12	310

*1. AR= (total area of holes) / (cross-sectional area of inlet pipe)

ITEM	N A M E	MATERIAL	QUANT.	REMARK
28	PROTECTION WIRE (保護金網)	C2700W	2 set	for ±150mesh
27	STUD BOLT&NUTS (軸締めボルト)	SS400	1 set	
26	VOID			
25	VOID			
24	VOID			
23	O-RING (O-リング)	NBR	1	
22	O-RING (O-リング)	NBR	1	
21	O-RING (O-リング)	NBR	2	
20	INDICATOR (切替表示)	SUS304	1	
19	AIR VENT PLUG (空気抜きボルト)	SS400	2	PT1/2
18	DRAIN PLUG (排水ボルト)	SS400	2	PT3/4
17	VOID			
16	WIRE GAUZE (こし網)	SUS304	2	
15	FILTER CYLINDER (こし筒)	SS400	2	
14	HANDLE OF CYLINDER (こし筒手)	SS400	2	
13	VOID			
12	RING (ふた取手)	SS400	4	For ≥50A
11	YOKE BOLT (おしめボルト)	SS400	2	
10	COVER YOKE (ふた取手)	FCD450	2	
9	VOID			
8	COCK SHAFT (コックシャフト)	SS400	1	
7	COCK LIFT HANDLE (コックリフトハンドル)	FCD450	1	
6	COCK HANDLE (コックハンドル)	S35C	1	
5	COCK PLUG (コック栓)	FCD400	1	
4	LOWER COCK COVER (下コックカバー)	FC200	1	SS400 for ≥100A
3	UPPER COCK COVER (上コックカバー)	FC200	1	
2	COVER (ふた)	FC200	2	
1	BODY (本体)	FC200	1	

DWG. NAME		JIS 10K-100A FF	
DWG. NAME		DUPLEX OIL STRAINER	
DWG. NAME		(H TYPE)	
DWG. NAME		(H型油こし器)	
HYD. TEST PRESS	APPROVED BY	CHECK'D BY	SCALE
0.9 MPa	7/7	7/7	SCALE
DATE	18. 3. 22	DWG. NO.	MAD18325-01
図番	92. 10	品番	MS20-2210ATNM

Unauthorized reproduction or distribution of this document is prohibited without written permission from P.T. Shumi Japara Service
YAMATO KIZAI KOGYO CO., LTD.