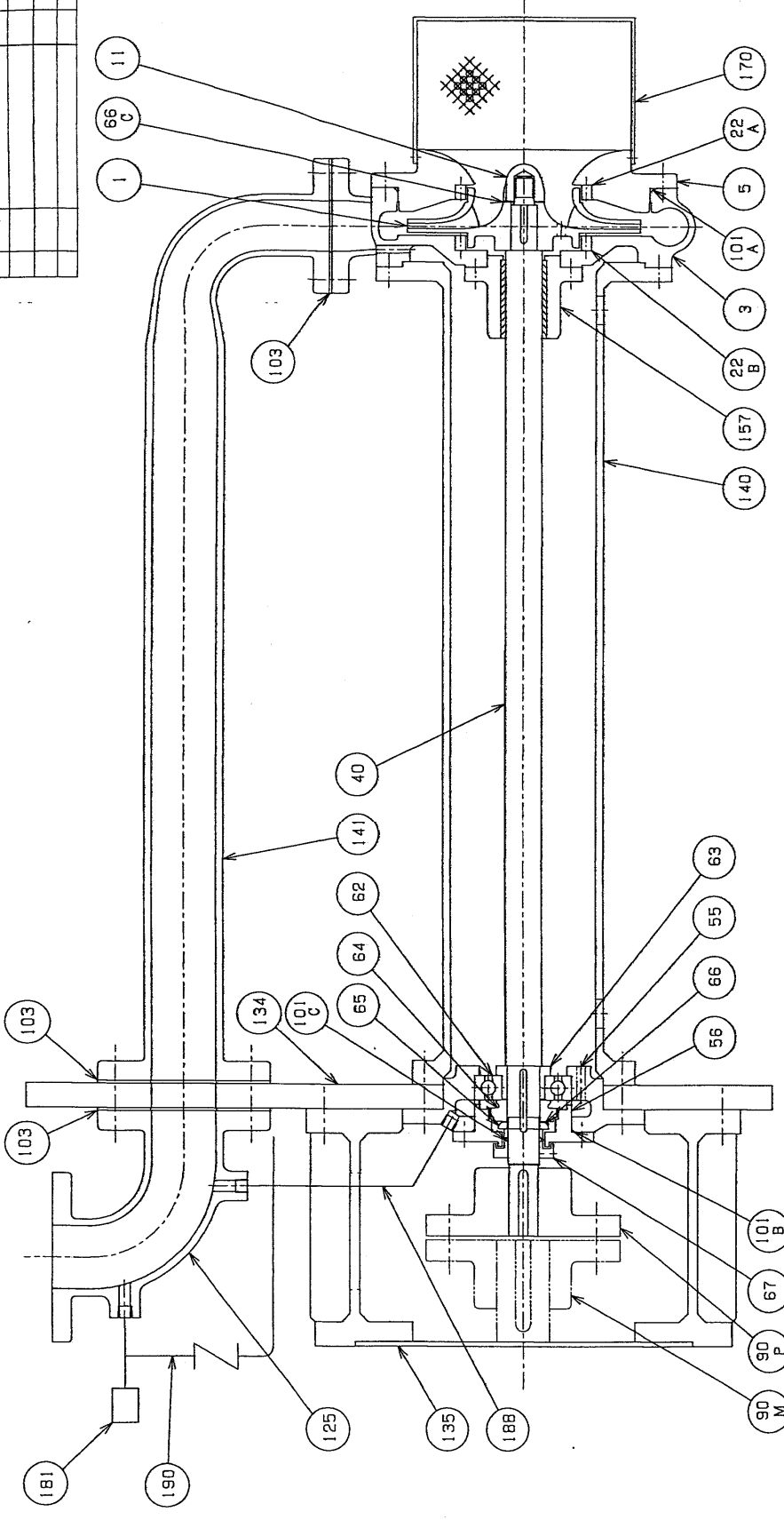


REV.	DATE	DESCRIPTION	DRAWN	CHECKED	APP.



品番	部品名	数量	材質	備考	品番	部品名	数量	材質	備考
63	BEARING BUSHING	1	S25C		103	SHEET PACKING	3	NON-ASBESTOS	V#6500
62	BALL BEARING	1	#6412		101C	O-RING	1	NBR #842	190
56	BEARING CASE COVER	1	FC200		101B	O-RING	1	NBR #8150	188
55	BEARING CASE	1	FC200		101A	O-RING	1	NBR #280X3.2	181 (GAUGE CONNECTION)
40	SHAFT	1	SUS304		90M	COUPLING HUB	1	S35C	170
22B	CASING WEARING	1	SUS304		90P	COUPLING HUB	1	S35C	157
22A	CASING WEARING	1	SUS304		67	DEFLECTOR	1	SUS304	141
11	IMPELLER NUT	1	SUS304		66C	IMPELLER WASHER	1	SUS304	140
5	SUCTION COVER	1	FC200		66	BEARING WASHER	1	SPPC	JIS AW09
3	CASING	1	FC250		65	BEARING NUT	1	SS400	JIS AW09
1	IMPELLER	1	SGS13		64	BEARING COLLAR	1	S25C	125
190	AIRVENT PIPE	1							
188	LUBRICATION PIPE	1							
181	SOCKET (GAUGE CONNECTION)	1	S25C						
170	STRAINER	1	SUS304						
157	BOTTOMCASING BEARING	1	FC200+ CARBON						
141	DISCHARGE PIPE	1	SS400+ STPG370						
140	COLUMN	1	SS400						
135	MOTOR FRAME	1	SS400						
134	FLOOR BASE	1	SS400						
125	DISCHARGE BEND	1	SS400+ STPG370						
11	IMPELLER	1							

SECTIONAL DRAWING			
SERVICE	AUXILIARY OIL PUMP		
WORK No.	200712-1	ITEM No.	P-202
APPROVED	天野	MODEL	VSC
CHECKED	岩尾	SCALE	NONE
DRAWN	鈴木	DATE	JULY.11.2007
DWG NO.	K3007378		
KANSUI PUMP CO., LTD.			