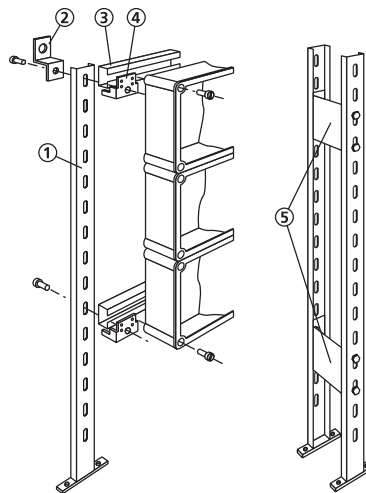




For assembly of frameworks for Halyester outer frame uprights and combinations components are available for the following designs:

- Frameworks for floor and/or wall mounting.
- Frameworks for floor mounting (free-standing arrangement).
- Frameworks for wall mounting.



The framework can be assembled from:

- (1) Frame uprights
- (2) Frame brackets
- (3) C-sections
- (4) Clamping brackets
- (5) Frame distance brackets



1047436

Single frame uprights

■ Framework for floor and / or wall mounting

The number of frame uprights used depends on the length of the assembly. To ensure sufficient rigidity of the framework, the distance between the frame uprights must not exceed 1350 mm (when using a sun/rain cover, the distance between the frame uprights must not exceed 900 mm).

To allow for possible future extensions of the assembly, the **outer frame uprights** should be located in such a way, that their centres coincide with the outside of the enclosures.

Intermediate frame uprights can be mounted at the junction of two enclosures as well as symmetrically behind an enclosure, to allow for the mounting of caps for top connection and/or to achieve symmetry of the assembly.

Description	Height	QPC	Eaton list number
Singe frame upright	1530 mm	1	1047436
Singe frame upright	1800 mm	1	1047437
Singe frame upright	1800 mm	1	1047888*
Singe frame upright	2070 mm	1	1047441
Singe frame upright	2070 mm	1	1047889*
Singe frame upright	2340 mm	1	1047442

*) To protect against corrosion, the material is hot-dipped galvanized (80 µ) for outdoor applications.