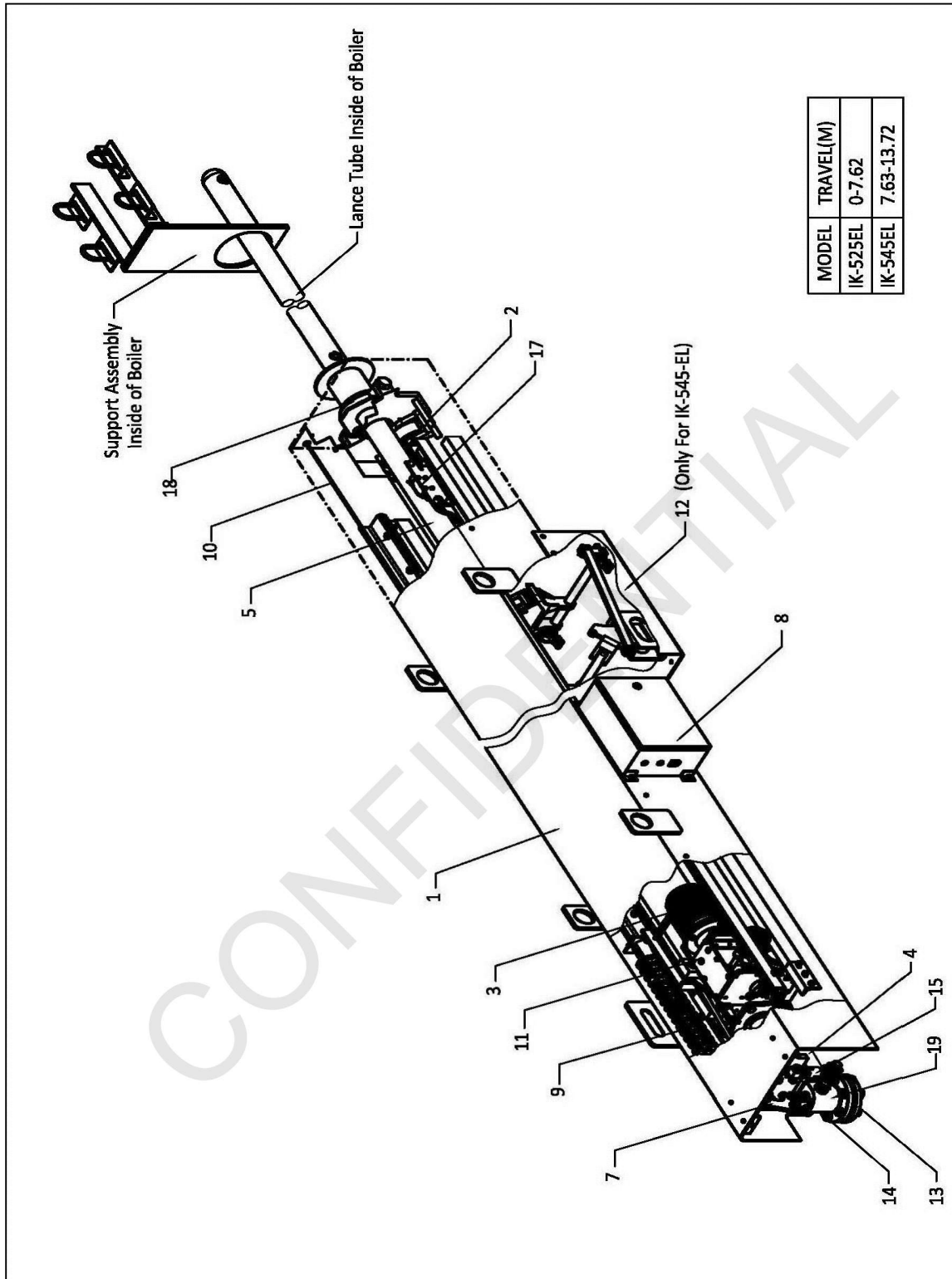


10.1 IK525/545-EL SOOTBLOWER ASSEMBLY



IK525/545-EL Sootblower Assembly - PI 3990

IK525/545-EL Sootblower Assembly			PI 3990	
ITEM	PART NO	DESCRIPTION	QTY	REMARK
1	718060-14061	Beam Assy,Rh/Lh, Carbon Steel	1	
2	670400-00038	Front Support Roller Assy	1	For Φ 89 Lance Tube
3	718060-14903	Motor 1.1kw	1	
4	718060-14068	Feed Tube	1	
5	718060-14A69	Lance And Nozzle Assy	1	Extended lance: 304SS
	718060-14B69	Lance And Nozzle Assy		Extended lance: T11
6	670405-01689	Lance Joint And Packing Assy	1	For Φ 60 Feed Tube, Φ 89 Lance Tube
7	670204-00107	Turn-On Assy, S-600, LH	1	
	670203-00107	Turn-On Assy, S-600, RH		
8	718060-14952	Electric Terminal Box Assy	1	
9	670400-00178	Expanda Cable Assy (Left)	1	
	670400-00177	Expanda Cable Assy (Right)		
10	718060-14067	Suspension Rod Assy	1	
11	670100-00507	Carriage Assy (Left)	1	
	670100-00508	Carriage Assy (Right)		
12	670401-01705	Lance And Feed Tube Auxiliary Support Assy (Left)	1	No needed for this order
	670401-01697	Lance And Feed Tube Auxiliary Support Assy (Right)		No needed for this order.
13	680704-00237	Companion Flange	1	For 600 Serie
14	670400-01045	Companion Flange, Hardware	1	For 600 Serie
15	670302-40254	Air Relief Valve And Piping	1	20NB
16	Per Order	Pressure Switch Assy	A/R	No needed in this order
17	Per Order	Limit Switch	2	
18	670400-02012	Negative Pressure Wallbox Assy	1	
19	670200-00114	Poppet Valve Assy	1	For 600 Serie, Φ 60 Feed Tube
20	680412-21025	Expanda Cable, LH	1	
	680412-21026	Expanda Cable, RH		