

Horizontal single-stage double-suction CENTRIFUGAL PUMPS

SHINKO
GHD

Shinko GHD centrifugal pumps have been designed on the basis of our many years of experience and service. The casing is horizontally split and the suction and discharge nozzles have been built into the casing. This allows simple removal of the casing cover and the rotating elements without disturbing the suction and discharge piping.

■ APPLICATIONS

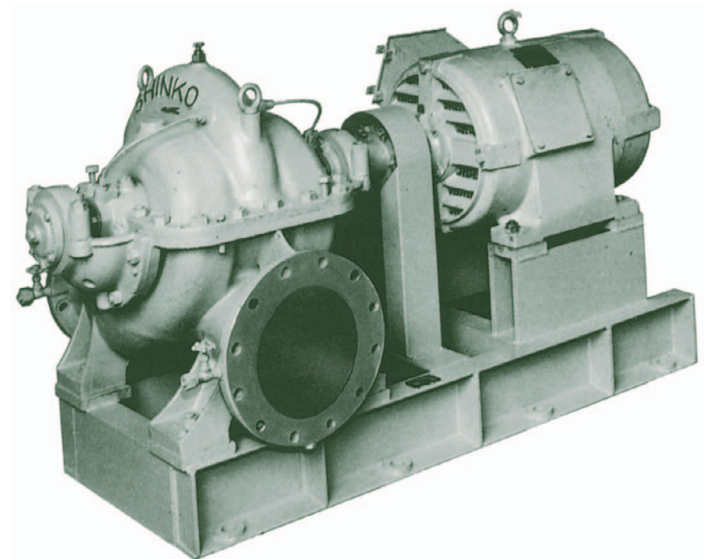
- Water intake, supply, pressurization, or feeding pumps for waterworks
- Water intake or cooling pumps for various processing plants
- Pumping-out, draining, or sprinkler pumps for irrigation
- Water feeding, draining, fire fighting, or air conditioning pumps for buildings
- Cooling water pumps for private power plants

■ HANDLING LIQUIDS

- Fresh water
- Industrial water
- River water
- Sea water

■ SPECIFICATIONS

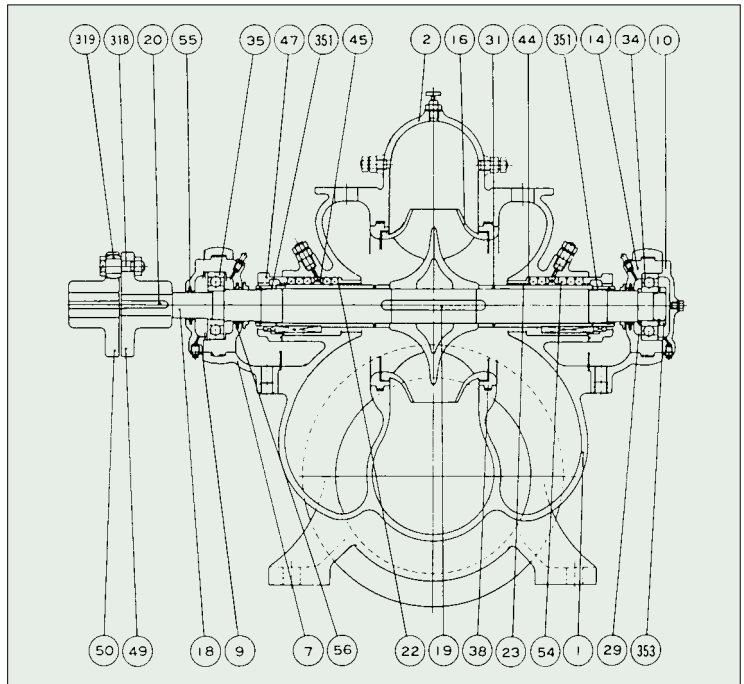
- Total head 13 to 80m
- Capacity 200 to 9000m³/h
- Temperatures Below 100°C



■ GENERAL CHARACTERISTICS

Item	Model	GHD 200	GHD 260-2	GHD 300-2	GHD 360	GHD 400	GHD 400-2	GHD 500	GHD 600	GHD 700	GHD 800
Rotation		Clockwise when viewed from the driver									
Suction bore	(mm)	200	250	300	350	400	500	600	700	800	900
Discharge bore	(mm)	200	250	300	350	400	400	500	600	700	800
Ball bearings		6309	6309	6311	6311	6314	6314	6319	6322	6326	6330
Service life	(hr)	Above 60000									
Amount of grease filled	(g)	2×20	2×20	2×30	2×30	2×50	2×50	2×110	2×150	2×175	2×200
Stuffing box seal		Gland packing or mechanical seal									
Weight with baseplate	(kg)	390	500	760	800	970	1590	2630	3550	5100	7520

PART NO.	NAME OF PART	MATERIAL		REQ.NO. FOR 1 PUMP
		NAME	JIS	
1	VOLUTE CASING	CAST IRON	FC200	1
2	VOLUTE COVER	"	"	1
7	BEARING HOUSING	"	"	2 SETS
9, 10	BEARING COVER	"	"	2
14	INNER CASE	"	"	2
16	IMPELLER	PHOSPHOR BRONZE	CAC502A	1
18	IMPELLER SHAFT	STAINLESS STEEL	SUS403	1
22, 23	SLEEVE	"	"	2
34, 35	BALL BEARING	SPECIAL STEEL		2
38	MOUTH RING	BRONZE	CAC403	2
44	NECK BUSH	"	CAC406	2
45	SEALING RING	SYNTHETIC RESIN		2
47	GLAND	BRONZE	CAC406	2
49, 50	COUPLING	DUCTILE CAST IRON	FCD400	2
54	GLAND PACKING	CARBONIZED FIBER		2 SETS
318	COUPLING BOLT & NUT	STEEL	SS400	1 SET
319	COUPLING RING	RUBBER		1 SET
351	SLEEVE NUT	STAINLESS STEEL	SUS316	2



Liquid Handled & Materials

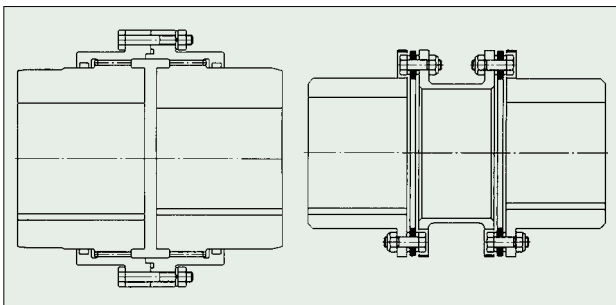
Standard materials used in the pumps are shown on the material list above, but depending on the liquid or customer request, materials can be changed for parts shown on the table below.

1	VOLUTE CASING	22, 23	SLEEVE
2	VOLUTE COVER	38	MOUTH RING
16	IMPELLER	44	NECK BUSH
18	IMPELLER SHAFT	47	GLAND

Coupling

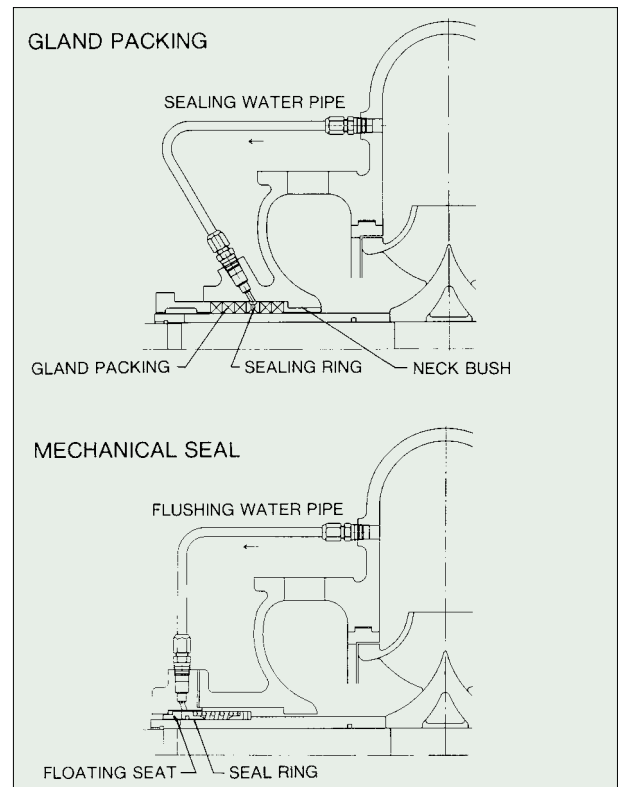
For GHD400 and smaller models with small or medium capacity, a flexible coupling with a rubber ring type is provided.

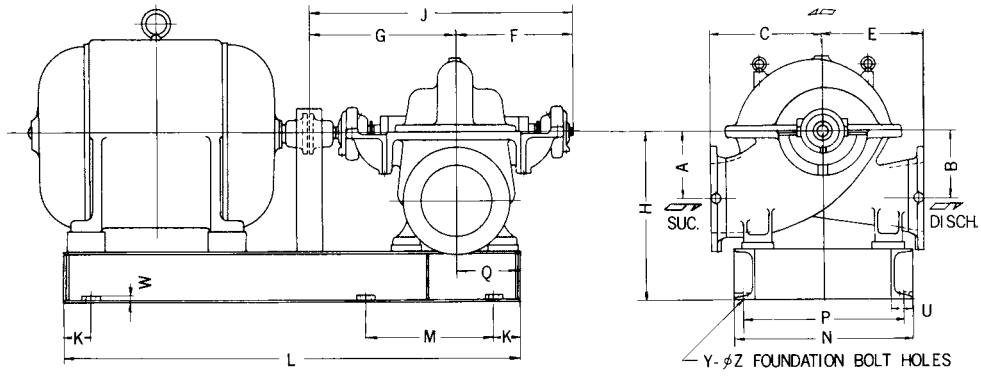
But, for GHD400-2 and larger pumps with large capacity, a gear coupling or Thomas coupling is provided.



Stuffing Box Seal

A stuffing box is located on the pump casing where the impeller shaft passes through and the gland packing is installed as a standard feature. However, a mechanical seal can be installed alternatively at customer request.





mm

Model	A	B	C	E	F	G	H	J	K	L	M	N	P	Q	U	W	Y	Z
GHD 200	220	220	390	350	420	495	525	915	100	1340	380	500	440	210	75	25	8	28
GHD 260-2	250	250	420	360	420	495	630	915	100	1490	430	580	520	245	75	30	8	35
GHD 300-2	300	300	500	380	465	580	705	1045	100	1700	500	640	580	275	75	30	8	35
GHD 360	310	310	520	400	500	600	775	1100	100	1820	540	680	610	330	90	30	8	35
GHD 400	350	350	580	475	590	740	830	1330	100	2060	620	920	850	380	90	30	8	42
GHD 400-2	420	420	700	620	640	800	1010	1440	100	2150	650	1100	1030	385	90	30	8	42
GHD 500	550	550	850	750	770	940	1245	1710	100	2840	660	1250	1180	520	90	30	10	42
GHD 600	650	650	1000	600	850	1050	1445	1900	100	3600	680	1650	1580	570	90	30	12	42
GHD 700	850	750	1150	700	975	1150	1650	2100	150	3700	680	1950	1870	620	100	50	12	42
GHD 800	850	850	1300	800	1050	1200	1850	2250	150	3750	690	2200	2120	670	100	50	12	42

SHINKO IND. LTD.