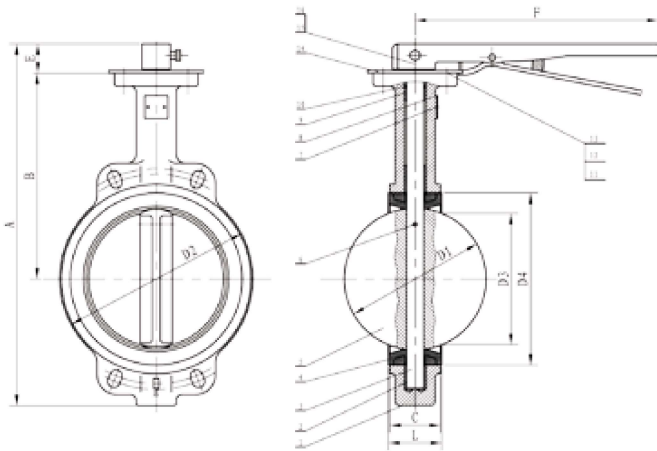


GG25 PN 16 - Face to face DIN 3202 Lever



RK-MA Series PN 16		Type: Face to face DIN 3202
GG25 PN16 - Wafer		
Specifications		
Fig. Saidi	RK-MA	
Materials	Body	Cast Iron GG25*, Epoxy resin coated
	Disc	Nodular Cast Iron Nickel plated GGG40
	Shaft	Stainless steel ASTM A276 420
	Seat	EPDM
Others	Connections	Between flanges DIN 2501 PN10/16 and ASME B16.5 Class 150
	Temperature Range	-15°C to +150°C
	Flange dimensions	GB/T9119-2000 PN 1.0 MPa
	Tests and Inspection	API 609 & API 598
	Certificates	EN/ISO 9001, PED (CE 0062)
*) Other materials upon request		



Components			
Item	Description	Quant.	Material
1	Body	1	GG25
2	Bushing	2	PTFE
3	Shaft	1	ASTM A276 420
4	Seat	1	EPDM
5	Disc	1	GGG40 Ni
6	Cone Pin	1/2	ASTM A276 420
7	Rivet	1	Stainless steel
8	Label	1	Stainless steel
9	Bushing	2	PTFE
10	O-ring	3	EPDM
11	Bolt	2	Carbon steel
12	Hexagonal nut	2	Carbon steel
13	'C' ring	2	1566
14	Notch plate	1	Carbon steel
15	Key	1	1045
16	Lever	1	

GG25/GG40 Ni/EPDM PN16 Wafer Butterfly valve DN-50/300 with Lever

Article Number	Dimensions (mm)											
	DN	D1	D2	D3	D4	A	B	C	E	L	F	Weight (kg)
010105304500024	50	52.9	100	32.3	76.3	273	161	42	32	45.0	267	3.3
010105304500032	65	64.5	120	46.1	89.0	296	175	44.7	32	47.6	267	4.0
010105304500038	80	78.8	127	64.4	103.9	308	181	45.2	32	49.0	267	4.4
010105304500033	100	104	156	86.3	135.0	346	200	52.1	32	54.7	267	5.7
010105304500034	125	123.3	190	110.6	159.0	372	213	54.4	32	58.0	267	7.8
010105304500036	150	155.6	212	134.8	188.4	397	226	55.8	32	58.6	267	8.6
010105304500018	200	202.5	268	192.4	283.1	480	260	60.6	45	63.4	359	15.2
010105304500026	250	250.5	325	241.7	292.4	540	292	65.6	45	70.0	359	21.2
010105304500020	300	301.6	403	291.8	344.1	624	337	76.9	45	80.1	490	35.5