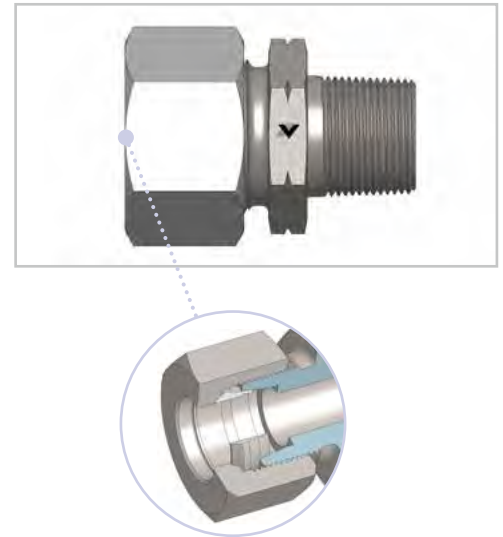
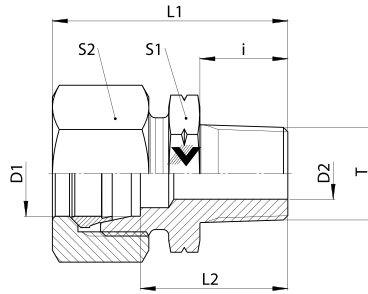


## GEV - NPT

- Gerade Einschraubverschraubung
- S-Reihe
- Gewinde: NPT

- Male Stud Connector
- S Series
- Thread: NPT



GEV - NPT												
Baureihe Series	D1 mm	T	D2 mm	L1* mm	L2 mm	i mm	S1 mm	S2 mm	Gewicht Weight g	PN bar	Bezeichnung Name	Artikel-Nr. Article No.
S	20	3/8" NPT	9	54	33	15,5	32	36	243	400	GEV 20 S 3/8" NPT	102611
	20	1/2" NPT	12	59	37,5	20	32	36	257	400	GEV 20 S 1/2" NPT	102605
	20	3/4" NPT	16	59	37,5	20	32	36	262	400	GEV 20 S 3/4" NPT	102610
	20	1" NPT	16	64	42,5	25	36	36	356	400	GEV 20 S 1" NPT	102607
	20	1.1/4" NPT	16	65	44	26	46	36	483	400	GEV 20 S 1.1/4" NPT	102612
	25	1/2" NPT	12	64	40	20	41	46	435	400	GEV 25 S 1/2" NPT	102662
	25	3/4" NPT	16	64	40	20	41	46	455	400	GEV 25 S 3/4" NPT	102667
	25	1" NPT	20	69	45	25	41	46	493	400	GEV 25 S 1" NPT	102665
	25	1.1/4" NPT	20	70	46	26	46	46	611	400	GEV 25 S 1.1/4" NPT	102668
	30	3/4" NPT	16	67	40,5	20	46	50	545	400	GEV 30 S 3/4" NPT	102712
	30	1" NPT	20	72	45,5	25	46	50	581	400	GEV 30 S 1" NPT	102710
	30	1.1/4" NPT	25	73	46,5	26	46	50	635	400	GEV 30 S 1.1/4" NPT	102713
	30	1.1/2" NPT	25	73	46,5	26	50	50	678	400	GEV 30 S 1.1/2" NPT	102711
	38	1" NPT	20	79	48	25	55	60	872	315	GEV 38 S 1" NPT	102753
	38	1.1/4" NPT	25	80	49	26	55	60	922	315	GEV 38 S 1.1/4" NPT	102755
38	1.1/2" NPT	32	80	49	26	55	60	982	315	GEV 38 S 1.1/2" NPT	102754	

\*Gerundete Werte / approx. Dimensions