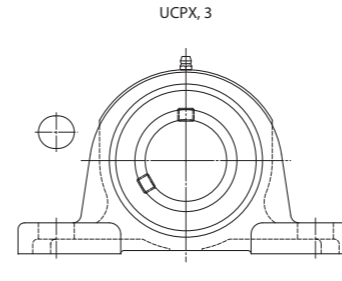
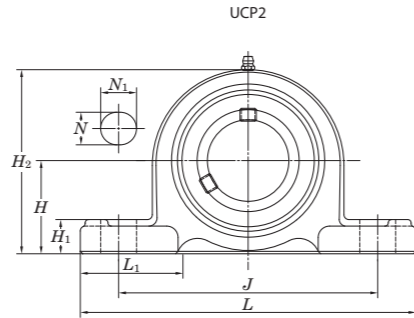
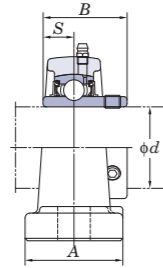
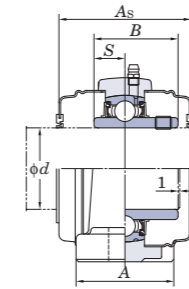


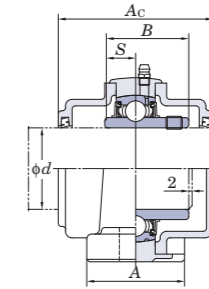
UCP
Cylindrical bore (with set screws)
d (45) ~ (75) mm



With Pressed Steel Cover



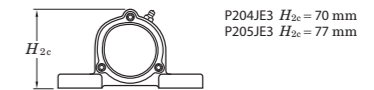
With Cast Iron Cover



Variations of tolerance of distance from mounting bottom to center of spherical bore (ΔH_{2c})

Housing No.		ΔH_{2c}
P203~P210	PX05~PX10	+0.15
P211~P218	PX11~PX18	+0.2
P305~P310	P311~P318	+0.2
P319~P328		+0.3

Forms and dimensions of H_{2c} of P204JE3 and P205JE3 (housing with cast iron cover) are shown below.



Shaft Dia. mm inch	Dimensions inch mm												Bolt Size inch mm	Standard			Mass kg	Basic Load Ratings kN		Factor f_0	With Pressed Steel Cover				With Cast Iron Cover			
	H	L	A	J	N	N ₁	H ₁	H ₂	L ₁	B	S	Unit No.		Housing No.	Bearing No.	Open Type		One Side Closed Type	Dimension mm inch A _s		Mass kg	Open Type	One Side Closed Type	Dimension mm inch A _c	Mass kg			
45 1 3/4	2 41/64	9 21/32	2 5/8	7 15/32	25/32	1 3/16	13/16	5 3/16	2 15/16	2.244	0.866	5/8	UCP309-28	P309	UC309-28	—	—	—	—	—	—	—	—					
	67	245	67	190	20	30	21	132	75	57	22	M16	UCP309		UC309	—	—	—	—	UCP309C	UCP309CD	102	4 1/32	6.2				
50 1 7/8 1 15/16 2 1 15/16	2 1/4	8 1/8	2 3/8	6 1/4	25/32	7/8	13/16	4 7/16	2 3/8	2.031	0.748	5/8	UCP210-30	P210	UC210-30	—	—	—	—	—	—	—	—					
	57.2	206	60	159	20	22	21	113	60	51.6	19	M16	UCP210-31		UC210-31	—	—	—	—	—	—	—	—					
	2	2 1/2	9 1/2	2 7/8	6 23/32	25/32	1 13/32	7/8	4 31/32	3	2.189	0.874	5/8	UCP210-32		UC210-32	—	—	—	—	—	—	—	—				
	63.5	241	73	171	20	36	22	126	76	55.6	22.2	M16	UCP210-32		UC210-32	UCP210C	UCP210CD	74	2 29/32	2.9	UCP210FC	UCP210FCD	97	3 13/16	3.9			
55 2 3/16 2 1/4	2 61/64	10 13/16	2 15/16	8 11/32	25/32	1 3/8	15/16	5 13/16	3 15/32	2.402	0.866	5/8	UCPX10-31	PX10	UCX10-31	—	—	—	—	—	—	—	—					
	75	275	75	212	20	35	24	148	88	61	22	M16	UCPX10		UCX10	UCPX10C	UCPX10CD	76	3	4.6	—	—	—	—				
	2	2 3/4	10 1/4	3 1/8	7 1/4	31/32	1 13/32	1 3/32	5 15/32	3 9/32	2.563	1.000	3/4	UCPX10-32		UCX10-32	—	—	—	—	—	—	—	—				
	69.8	260	79	184	25	36	28	139	83	65.1	25.4	M20	UCPX10-32		UCX10-32	UCPX11C	UCPX11CD	89	3 1/2	6.5	—	—	—	—				
60 2 3/8 2 7/16	3 5/32	12 7/32	3 5/32	9 9/32	25/32	1 1/2	1 1/16	6 7/32	3 17/32	2.598	0.984	5/8	UCP211-32	P211	UC211-32	—	—	—	—	—	—	—	—					
	80	310	80	236	20	38	27	158	90	66	25	M16	UCP211-34		UC211-34	—	—	—	—	—	—	—	—					
	2	2 3/4	10 1/4	3 1/8	7 1/4	31/32	1 13/32	1 3/32	5 15/32	3 9/32	2.563	1.000	3/4	UCP211		UC211	UCP211C	UCP211CD	76	3	3.6	UCP211FC	UCP211FCD	99	3 29/32	4.8		
	69.8	241	70	184	20	25	25	138	73	65.1	25.4	M16	UCP211-35		UC211-35	—	—	—	—	—	—	—	—					
65 2 1/2	3 5/32	12 7/32	3 5/32	9 9/32	25/32	1 1/2	1 1/16	6 7/32	3 17/32	2.598	0.984	5/8	UCPX11	PX11	UCX11	—	—	—	—	—	—	—	—					
	80	310	80	236	20	38	27	158	90	66	25	M16	UCPX11-35		UCX11-35	UCPX11C	UCPX11CD	89	3 1/2	6.5	—	—	—	—				
	2 1/4	2 3/4	10 1/4	3 1/8	7 1/4	31/32	1 13/32	1 3/32	5 15/32	3 9/32	2.563	1.000	3/4	UCP311-32	P311	UC311-32	—	—	—	—	—	—	—	—				
	69.8	241	70	184	20	25	25	138	73	65.1	25.4	M16	UCP311-35		UC311-35	—	—	—	—	—	—	—	—					
70 2 3/4	3 5/32	12 7/32	3 5/32	9 9/32	25/32	1 1/2	1 1/16	6 7/32	3 17/32	2.598	0.984	5/8	UCP212-36	P212	UC212-36	—	—	—	—	—	—	—	—					
	80	310	80	236	20	38	27	158	90	66	25	M16	UCP212		UC212	UCP212C	UCP212CD	89	3 1/2	4.9	UCP212FC	UCP212FCD	114	4 1/2	6.4			
	2 7/16	3	11 1/4	3 1/4	8	31/32	1 9/16	1 3/32	5 31/32	3 15/32	2.563	1.000	3/4	UCPX12	PX12	UCX12	—	—	—	—	—	—	—	—				
	76.2	286	83	203	25	40	28	152	88	65.1	25.4	M20	UCPX12-39		UCX12-39	UCPX12C	UCPX12CD	89	3 1/2	7.7	—	—	—	—				
75 2 15/16	3 11/32	13	3 11/32	9 27/32	31/32	1 1/2	1 5/32	6 9/16	4 1/16	2.795	1.024	3/4	UCP312	P312	UC312	—	—	—	—	—	—	—	—					
	85	330	85	250	25	38	29	167	103	71	26	M20	UCP312-39		UC312-39	—	—	—	—	—	—	—	—					
	2 1/2	3	10 7/16	2 3/4	8	31/32	1 3/16	1 1/16	5 29/32	3 1/16	2.563	1.000	3/4	UCP213-40	P213	UC213-40	—	—	—	—	—	—	—	—				
	76.2	265	70	203	25	30	27	150	78	65.1	25.4	M20	UCP213		UC213	UCP213C	UCP213CD	89	3 1/2	5.9	UCP213FC	UCP213FCD	114	4 1/2	7.6			
75 3 2 15/16	3	11 1/4	3 1/4	8	31/32	1 9/16	1 3/32	6 3/32	3 15/32	2.937	1.189	3/4	UCPX13-40	PX13	UCX13-40	—	—	—	—	—	—	—	—					
	76.2	286	83	203	25	40	28	155	88	74.6	30.2	M20	UCPX13		UCX13	UCPX13C	UCPX13CD	99	3 29/32	8.1	—	—	—	—				
	2 1/2	3 35/64	13 3/8	3 17/32	10 1/4	31/32	1 1/2	1 1/4	6 15/16	4 11/32	2.953	1.181	3/4	UCP313-40	P313	UC313-40	—	—	—	—	—	—	—	—				
	90	340	90	260	25	38	32	176	110	75	30	M20	UCP313		UC313	—	—	—	—	—	—	—	—					
75 3 2 15/16	3 1/8	10 15/32	2 27/32	8 9/32	31/32	1 3/16	1 1/16	6 3/16	2 15/16	2.937	1.189	3/4	UCP214-44	P214	UC214-44	—	—	—	—	—	—	—	—					
	79.4	266	72	210	25	30	27	157	75	74.6	30.2	M20	UCP214		UC214	UCP214C	UCP214CD	99	3 29/32	6.8	UCP214FC	UCP214FCD	124	4 7/8	8.7			
	2 3/4	3 1/2	13	3 1/2	9	1 1/16	1 31/32	1 1/4	6 23/32	3 27/32	3.063	1.331	7/8	UCPX14-44	PX14	UCX14-44	—	—	—	—	—	—	—	—				
	88.9	330	89	229	27	50	32	171	98	77.8	33.3	M22	UCPX14		UCX14	UCPX14C	UCPX14CD	99	3 29/32	10.2	—	—	—	—				
75 3 2 15/16	3 47/64	14 3/16	3 17/32	11 1/32	1 1/16	1 9/16	1 3/8	7 5/16	4 11/32	3.071	1.299	7/8	UCP314-44	P314	UC314-44	—	—	—	—	—	—	—	—					
	95	360	90	280	27	40	35	186	110	78	33	M22	UCP314		UC314	—	—	—	—	—	—	—	—					
	2 15/16	3 1/4	10 13/16	2 29/32	8 17/32	31/32	1 3/16	1 3/32	6 3/8	3 1/16	3.063	1.311	3/4	UCP215-47	P215	UC215-47	—	—	—	—	—	—	—	—				
	82.6	275	74	217	25	30	28	162	78	77.8	33.3	M20	UCP215		UC215	UCP215C	UCP215CD	99	3 29/32	7.4	UCP215FC	UCP215FCD	124	4 7/8	9.3			
75 3 2 15/16	3 1/2	13	3 1/2	9	1 1/16	1 31/32	1 1/4	6 7/8	3 29/32	3.252	1.311	7/8	UCPX15-47	PX15	UCX15-47	—	—	—	—	—	—	—	—					
	88.9	330	89	229	27	50	32	175	99	82.6	33.3	M22	UCPX15		UCX15	UCPX15C	UCPX15CD	109	4 9/32	10.8	—	—	—	—				

Remarks 1. In Part No. of unit and units with covers, fitting codes follow bore diameter numbers. (See Table 10.5 in P.62.)
2. Part No. of applicable grease fittings are shown below.
A-1/4-28UNF 201~210, X05~X09, 305~308
A-R1/8..... 211~218, X10~X20, 309~328

3. As for the triple seal type product (from 201 to 205 are the double seal type products), suffix code L3 (or L2) follows the Part No. of unit or bearing. (Example of Part No.: UCP206JL3, UC206L3)
4. For the dimensions and forms of applicable bearings, see the dimensional tables of ball bearing for unit.
5. Representative examples of the forms of housing are indicated.
6. Housings of nodular graphite cast iron are also available.