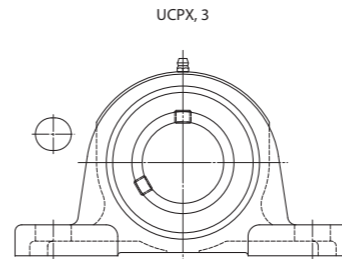
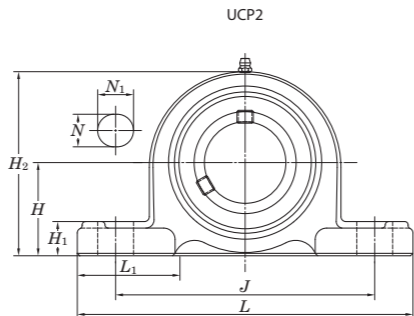
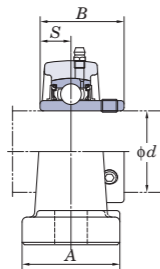
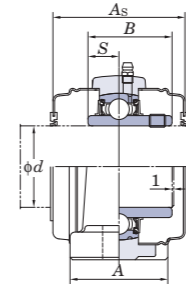


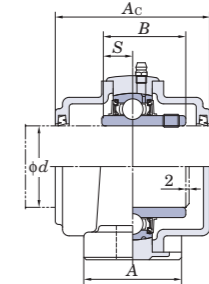
UCP
Cylindrical bore (with set screws)
d 12 ~ (45) mm



With Pressed Steel Cover



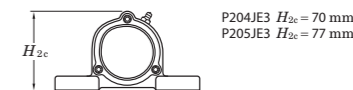
With Cast Iron Cover



Variations of tolerance of distance from mounting bottom to center of spherical bore (ΔH_{2c})

Housing No.	Unit: mm	
	PX05~PX10	P311~P318
P203~P210	PX05~PX10	±0.15
P211~P218	PX11~PX18	±0.2
PX20	P319~P328	±0.3

Forms and dimensions of H_{2c} of P204JE3 and P205JE3 (housing with cast iron cover) are shown below.



Shaft Dia. mm inch	Dimensions inch mm	Bolt Size inch mm	Standard			Mass kg	Basic Load Ratings kN		Factor f_0	With Pressed Steel Cover			With Cast Iron Cover									
			Unit No.	Housing No.	Bearing No.		Unit No. Open Type	Unit No. One Side Closed Type		Dimension mm inch A_s	Mass kg	Unit No. Open Type	Unit No. One Side Closed Type	Dimension mm inch A_c	Mass kg							
12 15 17	1/2 5/8	3/8 M10	UCP201	P203	UC201	0.63	12.8	6.65	13.2	UCP201C	UCP201CD	45	1 25/32	0.63	-	-	-	-	-			
			UCP201-8		UC201-8					-	-				-	-	-	-	-	-	-	-
			UCP202		UC202					UCP202C	UCP202CD				45	1 25/32	0.61	-	-	-	-	-
			UCP202-10		UC202-10					-	-				-	-	-	-	-	-	-	-
20	3/4	M10	UCP204-12	P204	UC204-12	0.66	12.8	6.65	13.2	UCP204C	UCP204CD	45	1 25/32	0.66	UCP204FC	UCP204FCD	62	2 7/16	0.96			
			UCP204		UC204					-	-				-	-				-	-	-
25	7/8 15/16 1	3/8 M10	UCP205-14	P205	UC205-14	0.80	14.0	7.85	13.9	-	-	-	-	-	-	-	-	-	-			
			UCP205-15		UC205-15					-	-	-	-	-	-	-	-	-	-			
			UCP205		UC205					UCP205C	UCP205CD	49	1 15/16	0.80	UCP205FC	UCP205FCD	66	2 19/32	1.2			
			UCP205-16		UC205-16					-	-	-	-	-	-	-	-	-	-			
30	1 1/8 1 3/16 1 1/4	1/2 M14	UCP206-18	P206	UC206-18	1.3	19.5	11.3	13.9	-	-	-	-	-	-	-	-	-	-			
			UCP206		UC206					UCP206C	UCP206CD	53	2 3/32	1.3	UCP206FC	UCP206FCD	70	2 3/4	1.8			
			UCP206-19		UC206-19					-	-	-	-	-	-	-	-	-	-			
			UCP206-20		UC206-20					-	-	-	-	-	-	-	-	-	-			
35	1 3/8 1 7/16	1/2 M14	UCP207-20	P207	UC207-20	1.6	25.7	15.4	13.9	-	-	-	-	-	-	-	-	-	-			
			UCP207-21		UC207-21					-	-	-	-	-	-	-	-	-	-			
			UCP207-22		UC207-22					UCP207C	UCP207CD	60	2 3/8	1.6	UCP207FC	UCP207FCD	78	3 1/16	2.3			
			UCP207		UC207					-	-	-	-	-	-	-	-	-	-			
40	1 1/2 1 9/16	5/8 M16	UCP208-24	P208	UC208-24	2.0	34.1	21.3	14.0	-	-	-	-	-	-	-	-	-	-			
			UCP208-25		UC208-25					-	-	-	-	-	-	-	-	-	-			
			UCP208		UC208					UCP208C	UCP208CD	69	2 23/32	2.0	UCP208FC	UCP208FCD	86	3 3/8	2.8			
			UCP209		UC209					-	-	-	-	-	-	-	-	-	-			
45	1 1/2 1 3/4	M14	UCP209-26	P209	UC209-26	2.2	34.1	21.3	14.0	-	-	-	-	-	-	-	-	-	-			
			UCP209-27		UC209-27					-	-	-	-	-	-	-	-	-	-			
			UCP209-28		UC209-28					UCP209C	UCP209CD	69	2 23/32	2.2	UCP209FC	UCP209FCD	88	3 15/32	3.0			
			UCP209		UC209					-	-	-	-	-	-	-	-	-	-			

Remarks 1. In Part No. of unit and units with covers, fitting codes follow bore diameter numbers. (See Table 10.5 in P.62.)

2. Part No. of applicable grease fittings are shown below.

A-1/4-28UNF 201~210, X05~X09, 305~308

A-R1/8..... 211~218, X10~X20, 309~328

3. As for the triple seal type product (from 201 to 205 are the double seal type products), suffix code L3 (or L2) follows the Part No. of unit or bearing. (Example of Part No.: UCP206JL3, UC206L3)

4. For the dimensions and forms of applicable bearings, see the dimensional tables of ball bearing for unit.

5. Representative examples of the forms of housing are indicated.

6. Housings of nodular graphite cast iron are also available.