



SIEMENS



Complete protection made easy

HRC fuses - BS type

Answers for infrastructure.

Siemens offers 3NW BS type of fuses suitable for use in both industrial and building applications. These fuses are available in a wide range from 2A-800A, in different sizes and mounting options viz. blade tag, central tag & offset tag. With a high short circuit breaking capacity of 80kA, the

Siemens 3NW BS fuses are designed to provide the fastest protection to the downstream equipment, with minimum stress on the cables. Where safety & reliability is a priority, Siemens 3NW fuses are the perfect solution.

[www.siemens.co.in](http://www.siemens.co.in)



## General

Siemens low voltage BS fuses have been developed for industrial & building applications. Due to the special design, they provide high rupturing capacity combined with low temperature rise under normal load conditions. The quick acting characteristics of the fuses ensure that even under the worst fault conditions, cut off occurs before the peak value of fault current is reached. This ultimately reduces the electromagnetic stress, thus avoiding premature failure of the downstream equipment. The BS fuse holders are designed for safety & easy operation. They are used for blade & offset tag of fuses upto 100A.

## Applications

The fuses are ideally suited for protection of lighting and heating circuits and can be used in industrial as well as in building application.

## Short Data Description

### BS fuse holders

Rated Voltage	: 415V AC
Rated Current	: 20A, 32A, 63A, 100A
Rated breaking capacity	: 80kA
Relevant Standard	: BS88 Part 1&2 (1998) IEC 60269-2-1

### BS Fuses - Type 3NW

Rated Voltage	: 415V AC, 240V DC
Rated Current	: 2A to 800A
Rated short circuit breaking capacity	: 80kA (AC), 40kA (DC)
Utilization Category	: gG
Fusing Factor	: 1.6
Fuse fixing arrangement	: Blade Tag, Offset Tag, Centre Tag
Relevant Standards	: IS13703-2 (1993), BS 88 Part 1 & 2 (1988), IEC 60269 -2-1(1987)

## Selection table for using BS fuse with 3KL8/3KT8 Superswitch

Rated current in (A)	SDF type	BS fuse size	BS fuse type
20A	3KL8111	A2/A3	TSA/TIA
32A	3KL8121	A2/A3	TSA/TIA
	3KT8121	A2/A3	TSA/TIA/TIS
50A	3KT8141	A3	TSA/TIA/TIS
63A	3KL8151	A3	TIS/TSS
80A	3KT8161	A3	TSDS/TIS/TSS
100A	3KL8211	A4	TCP
	3KT8211		
125A	3KL8221	A4	TCP/TSFP
	3KT8221		
160A	3KL8231	A4	TCP/TSFP
	3KT8231		
200A	3KL8311	B2/B3/B4	TSF/TF
	3KT8311		
250A	3KL8321	B2/B3/B4	TSF/TF/TKF/TSK
	3KT8321		
315A	3KL8331	B2/B3/B4	TSF/TF/TKF/TSK
	3KT8331		
400A	3KL8341	B2/B3/B4	TSF/TF/TKF/TSK/TMF
	3KT8341		
500A	3KL8411	C1/C2/C3	TTM
	3KT8411		
630A	3KL8421	C1/C2/C3	TTM
	3KT8421		
800A	3KL8431	C1/C2/C3	-
	3KT8431		

## Fuse holder selection for BS fuses :

Type Reference	Current Rating (Max.)	Voltage (Max.) AC/DC	Fuse Type
	Amps.	Volts	
3NW20NNSF	20	550	Blade Tag
3NW32NNSF	32	550	
3NWC32F	32	660	Off-set Tag
3NWC63F	63	660	
3NWC100F	100	660	

## Fuse size selection for 3NW BS fuse

### Blade tag

Size	Rated current A	Type
F1	2	■ 3NW NS 2
	4	■ 3NW NS 4
	6	■ 3NW NS 6
	10	■ 3NW NS 10
	16	■ 3NW NS 16
	20	■ 3NW NS 20
	25	■ 3NW NS 25
	32	3NW NS 32

### Offset tag

Size	Rated current A	Type
A2	2	3NW TIA 2
	4	3NW TIA 4
	6	3NW TIA 6
	10	■ 3NW TIA 10
	16	■ 3NW TIA 16
	20	■ 3NW TIA 20
	25	■ 3NW TIA 25
	32	■ 3NW TIA 32
A3	40	3NW TIS 40
	50	■ 3NW TIS 50
	63	■ 3NW TIS 63
A4	80	3NW TCP 80
	100	■ 3NW TCP 100
-	125	3NW TFP 125
	160	3NW TFP 160
	200	3NW TFP 200

Size	Rated current A	Type
A2	6	3NW TSA 6
	10	3NW TSA 10
	16	3NW TSA 16
	20	3NW TSA 20
	25	3NW TSA 25
	32	3NW TSA 32
A3	36	3NW TSS 36
	40	3NW TSS 40
	50	3NW TSS 50
	63	3NW TSS 63
-	80	3NW TSDS 80
	100	3NW TSDS 100
-	125	3NW TSFP 125
	160	3NW TSFP 160
	200	3NW TSFP 200

## Fuse size selection for 3NW BS fuse (Continued)

### Central tag

Size	Rated current A	Type
B1	80	3NW TC 80
	100	3NW TC 100
B2	125	3NW TF 125
	160	3NW TF 160
	200	3NW TF 200
B3	250	3NW TKF 250
	315	3NW TKF 315
B4	355	3NW TMF 355
	400	3NW TMF 400
C2	500	3NW TTM 500
	630	3NW TTM 630
C3	710	3NW TLM 710
	800	3NW TLM 800

Size	Rated current A	Type
B1	80	3NW TSDC 80
	100	3NW TSDC 100
B2	125	3NW TSF 125
	160	3NW TSF 160
	200	3NW TSF 200
B4	250	3NW TSK 250
	315	3NW TSK 315
-	355	3NW TSMS 355
	400	3NW TSMS 400
-	450	3NW TSTS 450
	500	3NW TSTS 500
-	560	3NW TSL 560
	630	3NW TSL 630
-	800	3NW TSL 800

## Power Dissipation Chart

Type	Rated current A	Type Reference	Rated Power Dissipation (Watts)
Blade Tag	2	3NW NS2	0.9
	4	3NW NS4	1.4
	6	3NW NS6	1.8
	10	3NW NS10	2.1
	16	3NW NS16	1.8
	20	3NW NS20	1.8
	25	3NW NS25	2.0
	32	3NW NS32	2.9
	Offset Tag	2	3NW TIA2
4		3NW TIA4	2.7
6		3NW TIA6	3.3
10		3NW TIA10	2.8
16		3NW TIA16	3.3
20		3NW TIA20	3.1
25		3NW TIA25	3.6
32		3NW TIA32	3.8
Offset Tag	6	3NW TSA6	1.8
	10	3NW TSA10	2.1
	16	3NW TSA16	1.8
	20	3NW TSA20	1.8
	25	3NW TSA25	2.0
	32	3NW TSA32	2.9
Offset Tag	40	3NW TIS40	4.7
	50	3NW TIS50	4.9
	63	3NW TIS63	5.6
Offset Tag	36	3NW TSS36	4.4
	40	3NW TSS40	4.7
	50	3NW TSS50	4.9
Offset Tag	63	3NW TSS63	5.6
	80	3NW TCP80	7.2
	100	3NW TCP100	8.2
Offset Tag	80	3NW TSDS80	7.2
	100	3NW TSDS100	8.5
Offset Tag	125	3NW TSFP125	11.0
	160	3NW TSFP160	13.0
	200	3NW TSFP200	14.0
Offset Tag	125	3NW TFP125	10.0
	160	3NW TFP160	13.9
	200	3NW TFP200	16.0

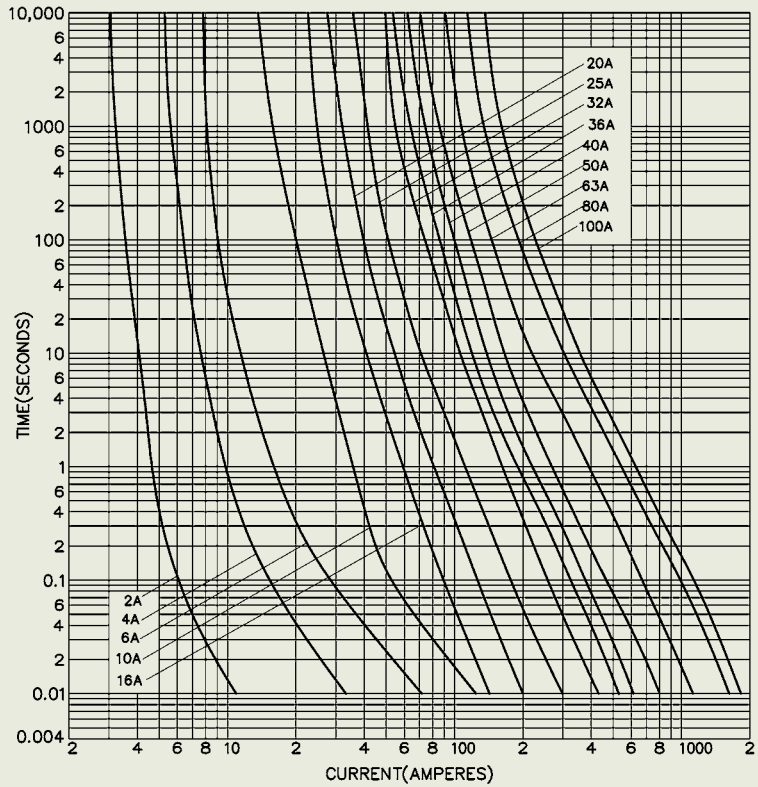
Type	Rated current A	Type Reference	Rated Power Dissipation (Watts)
Centre Tag	80	3NW TSDC80	7.2
	100	3NW TSDC100	8.5
Centre Tag	80	3NW TC80	7.2
	100	3NW TC100	8.2
Centre Tag	125	3NW TF125	10.0
	160	3NW TF160	13.0
	200	3NW TF200	16.0
Centre Tag	125	3NW TSF125	11.0
	160	3NW TSF160	13.0
	200	3NW TSF200	14.0
Centre Tag	250	3NW TKF250	19.0
	315	3NW TKF315	25.0
Centre Tag	250	3NW TSK250	18.0
	315	3NW TSK315	22.0
Centre Tag	355	3NW TSMS355	24.0
	400	3NW TSMS400	29.0
Centre Tag	355	3NW TMF355	24.0
	400	3NW TMF400	29.0
Centre Tag	450	3NW TSTS450	31.0
	500	3NW TSTS500	39.0
Centre Tag	500	3NW TTM500	38.0
	630	3NW TTM630	50.0
Centre Tag	560	3NW TSL560	38.0
	630	3NW TSL630	44.0
Centre Tag	800	3NW TSL800	68.0
	710	3NW TLM710	53.0
Centre Tag	800	3NW TLM800	64.0



# Characteristics

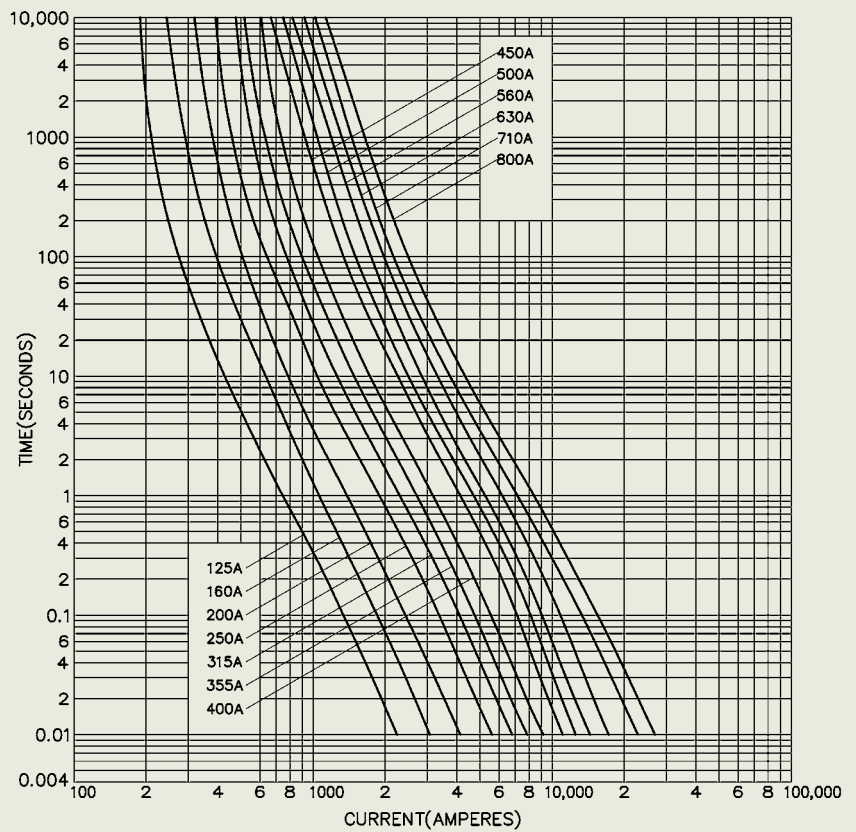
## Time – Current Characteristics

Fuse Type
3NW NS
3NW TSA
3NW TIA
3NW TIS
3NW TSS
3NW TC
3NW TCP
3NW TSDS
3NW TSDC



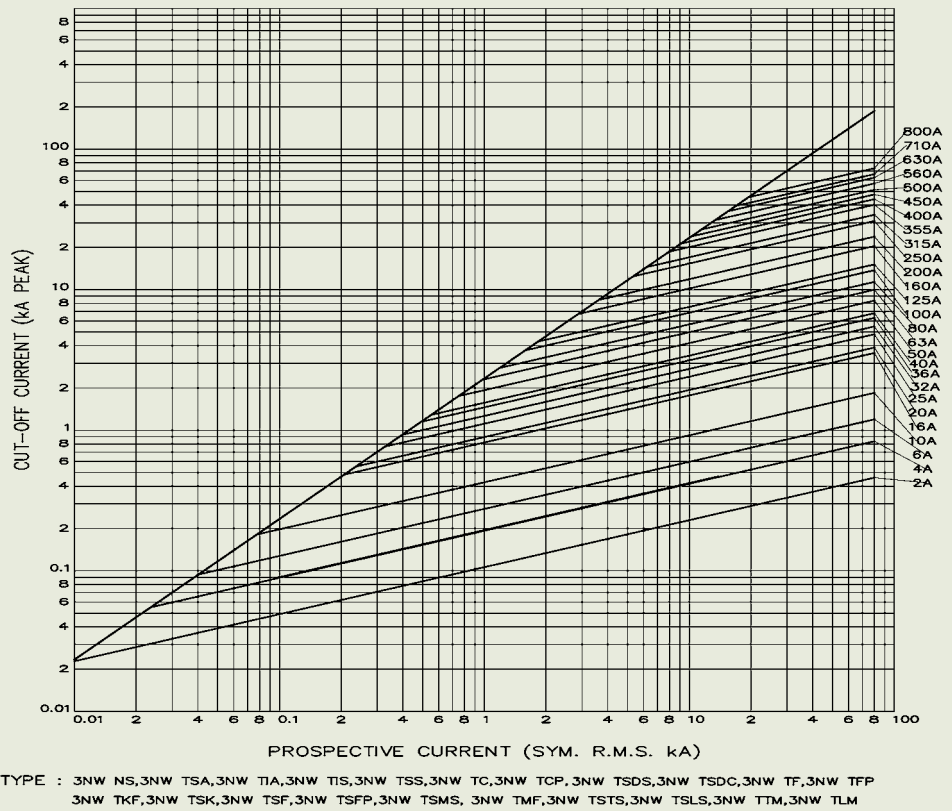
## Time – Current Characteristics

Fuse Type
3NW TF
3NW TFP
3NW TKF
3NW TSK
3NW TSF
3NW TSFP
3NW TSMS
3NW TMF
3NW TSTS
3NW TSLS
3NW TTM
3NW TLM

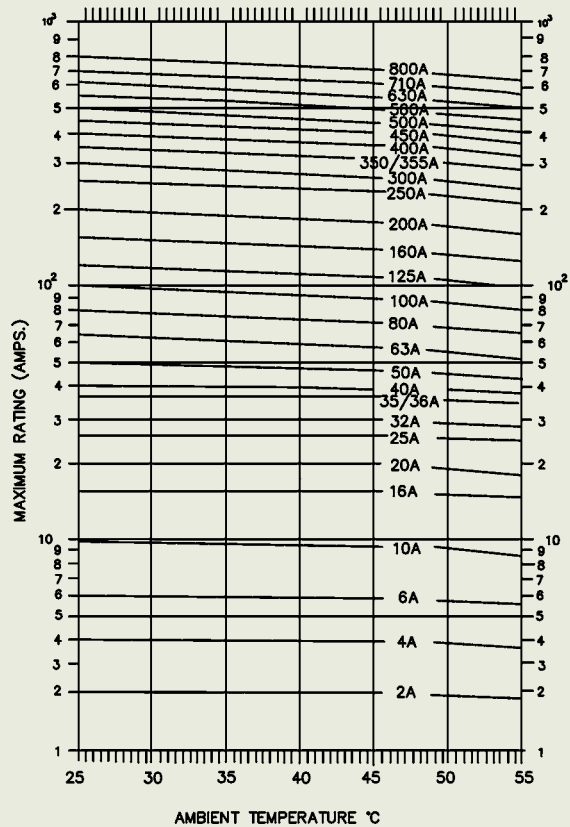


# Characteristics

## Cut-off Current Characteristics



## Temperature Derating Curve

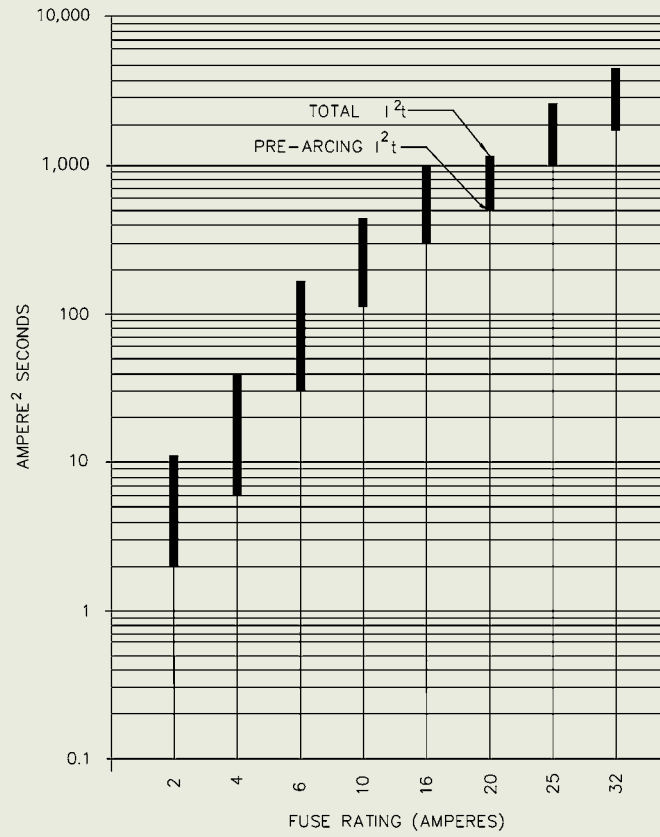




# Characteristics

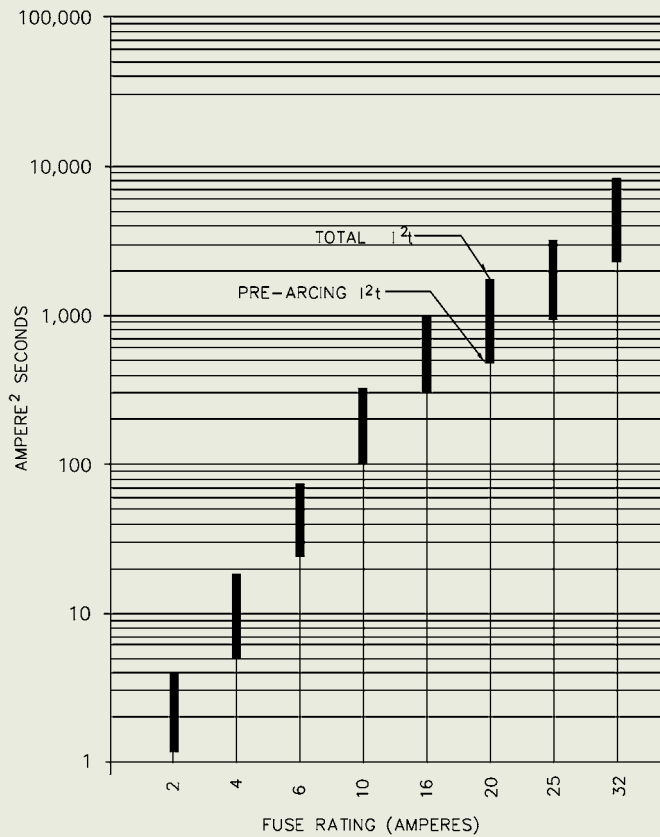
## I<sup>2</sup>t Characteristics

Fuse Type
3NW NS
3NW TSA



## I<sup>2</sup>t Characteristics

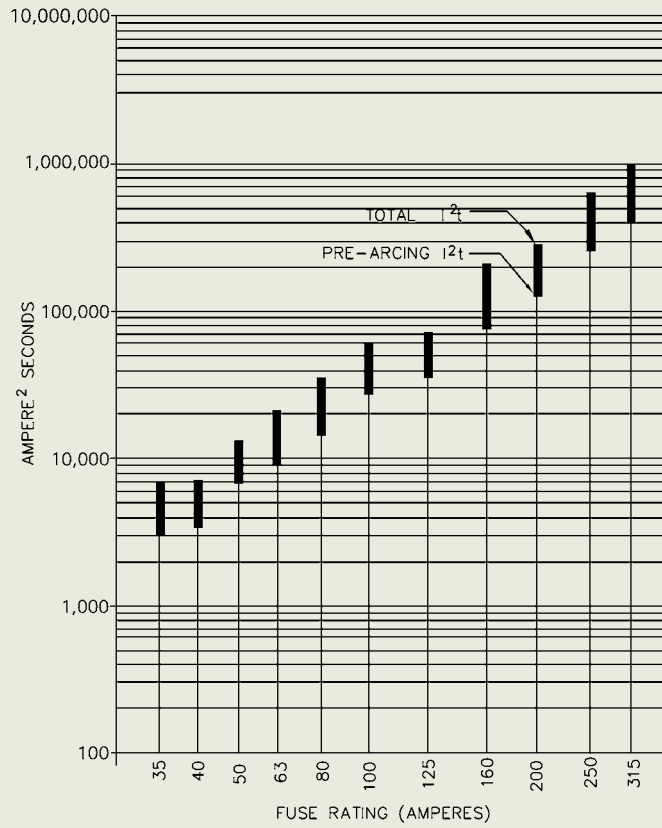
Fuse Type
3NW TIA



# Characteristics

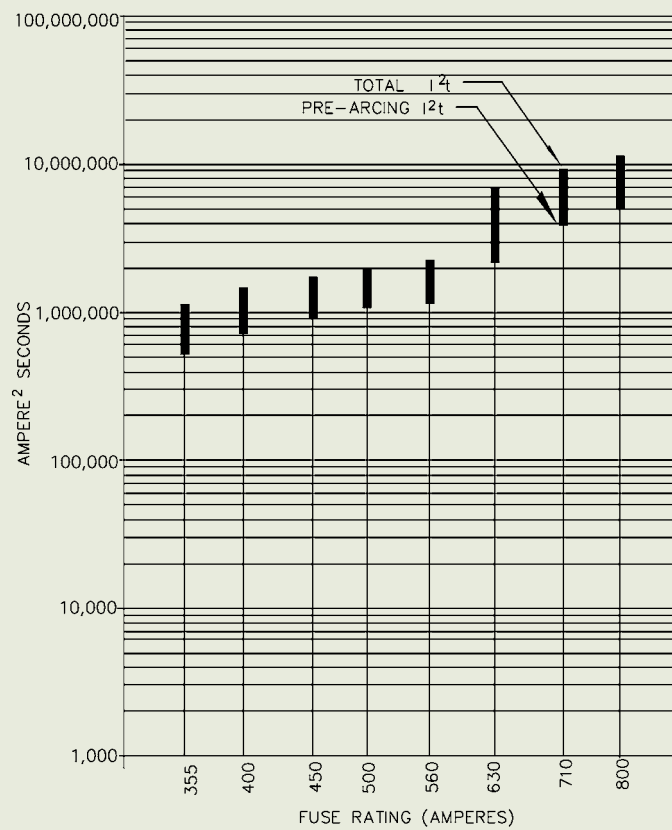
## I<sup>2</sup>t Characteristics

Fuse Type
3NW TIS
3NW TSS
3NW TCP
3NW TSDS
3NW TSFP
3NW TSDC
3NW TC
3NW TF
3NW TSF
3NW TSK



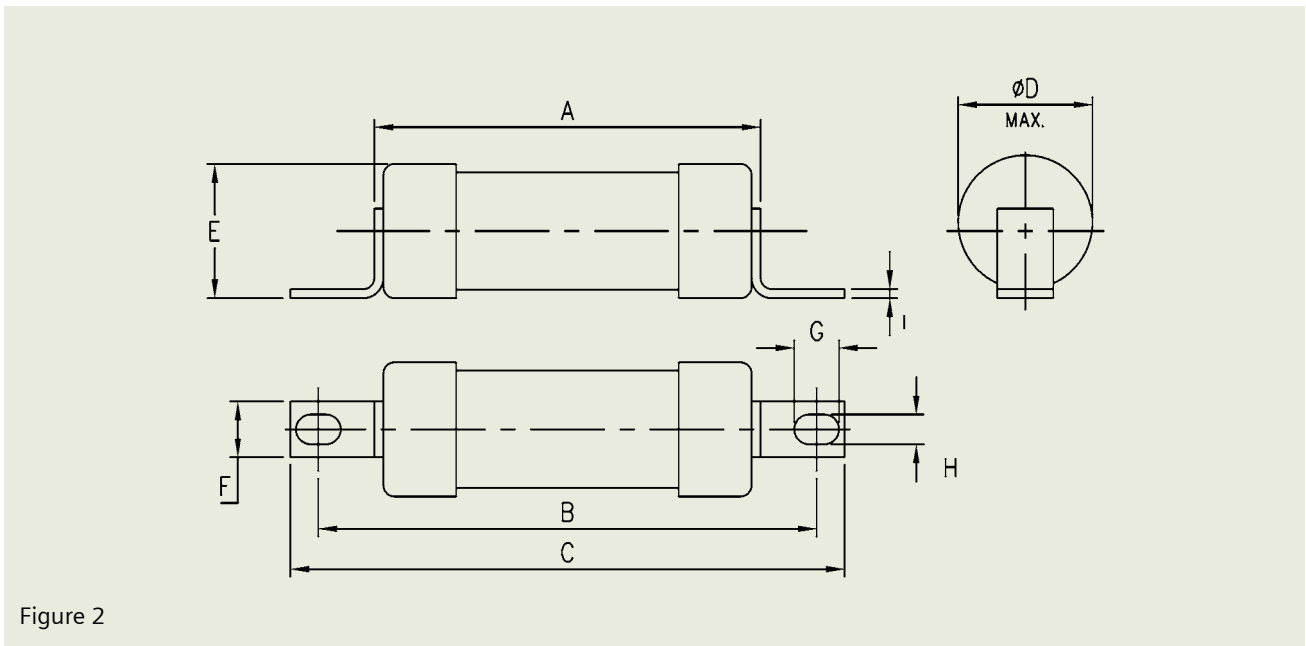
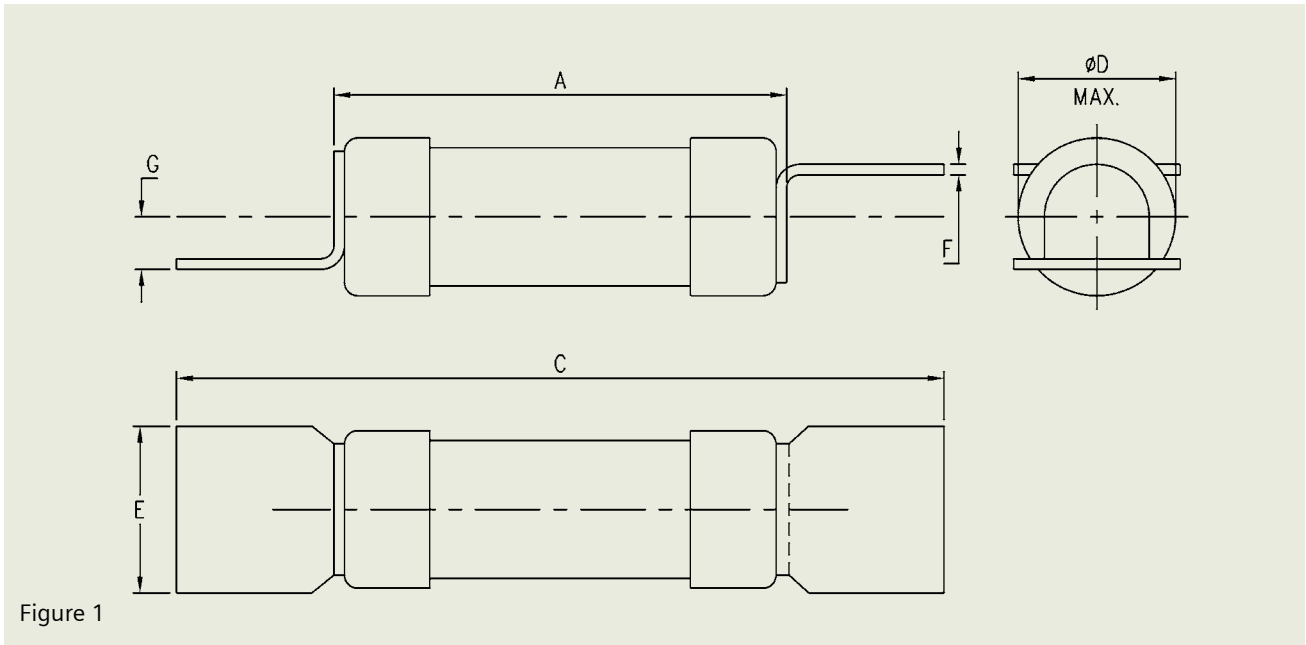
## I<sup>2</sup>t Characteristics

Fuse Type
3NW TSMS
3NW TMF
3NW TSTS
3NW TTM
3NW TSLS
3NW TLM





## Dimensions (mm)



Type Reference		Current Rating Range Amps.	A	B	C	D	E	F	G	H	I	Refer Figure
Blade Tag	3NW NS	2-32	34.50	—	58.50	13.80	12.70	0.80	4.30	—	—	1
Off-Set Tag	3NW TIA	2-32	53.00	73.00	85.00	22.00	22.10	9.20	7.90	5.40	1.00	2
	3NW TSA	6-32	35.50	73.50	85.00	13.70	14.00	8.70	8.00	5.50	1.20	
	3NW TIS	40-63	54.50	73.50	87.00	21.00	22.50	12.70	8.00	5.50	1.20	
	3NW TSS	36-63	54.50	73.50	87.00	21.00	22.50	12.70	8.00	5.50	1.20	
	3NW TCP	80-100	66.00	94.00	111.00	35.50	37.00	20.00	10.30	8.70	2.64	
	3NW TSDS	80-100	54.50	73.00	95.00	21.00	22.50	12.70	8.00	5.50	1.20	
	3NW TSFP	125-200	47.00	94.00	110.00	31.00	29.50	19.00	10.00	9.00	3.20	
	3NW TFP	125-200	66.00	94.00	111.00	38.00	38.00	19.00	10.00	8.50	2.64	

## Dimensions (mm)

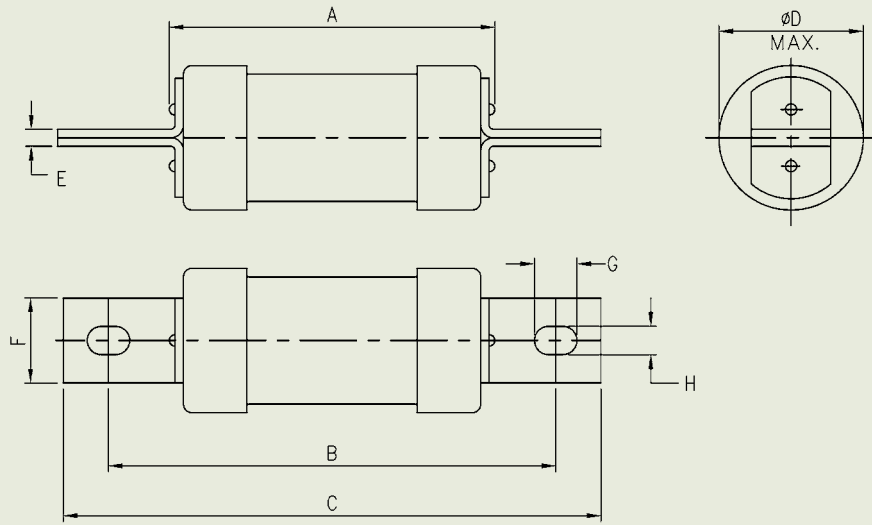


Figure 3

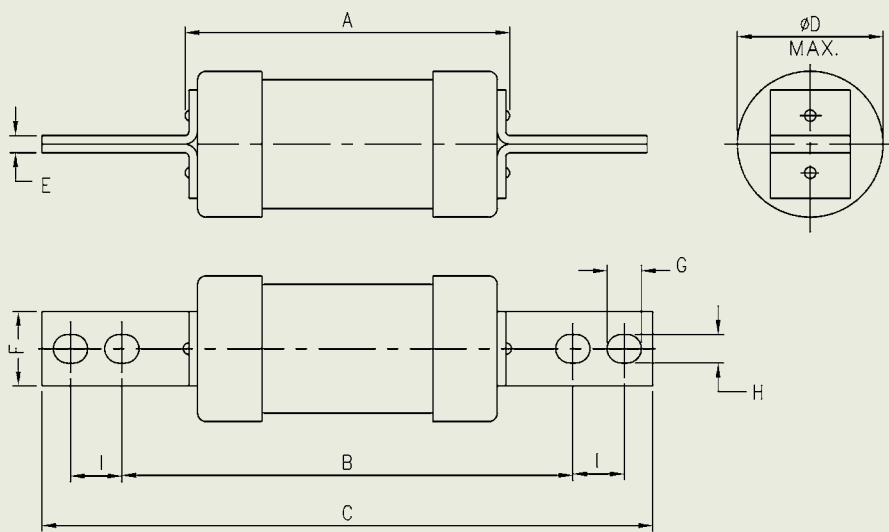
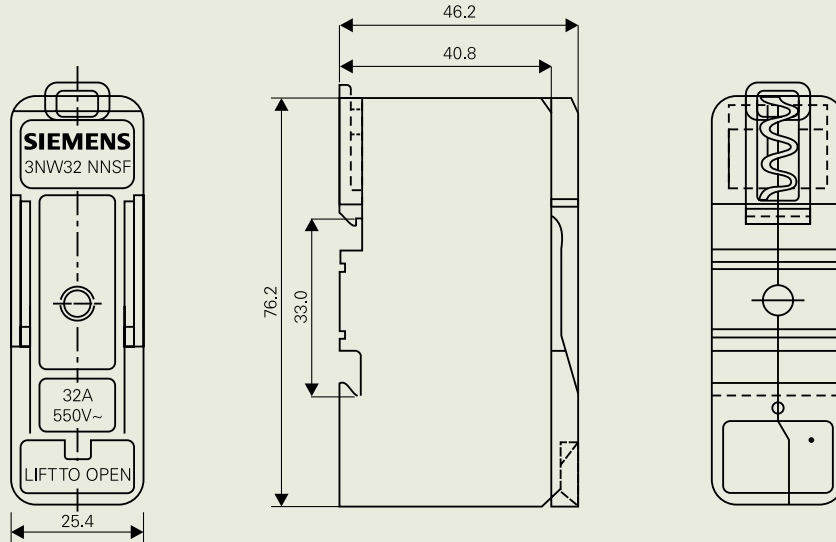


Figure 4

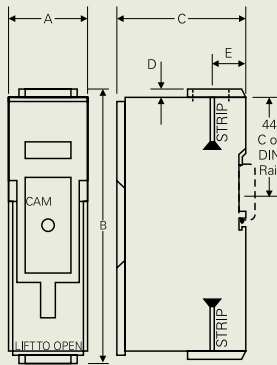
Type Reference		Current Rating Range Amps.	A	B	C	D	E	F	G	H	I	Refer Figure
Centre Tag	3NW TSDC	80-100	58.50	111.00	126.00	21.00	3.20	14.30	11.10	8.70	—	3
	3NW TC	80-100	65.00	111.00	136.00	35.50	3.20	19.00	15.00	8.70	—	
	3NW TF	125-200	65.00	110.00	135.00	37.00	3.20	19.00	15.00	8.70	—	
	3NW TSF	160-200	47.00	110.00	136.00	31.00	3.20	19.00	12.50	9.00	—	
	3NW TKF	250-315	73.00	112.00	138.00	51.00	3.25	26.00	12.70	9.50	—	
	3NW TSK	250-315	47.00	111.00	136.00	38.00	4.70	19.00	12.50	9.00	—	
	3NW TMF	355-400	50.00	111.00	136.00	38.00	4.70	25.40	12.50	9.50	—	
	3NW TSTS	450-500	58.50	133.00	163.00	60.00	6.50	26.00	16.00	11.00	—	
	3NW TSLS	560-630	62.50	133.00	163.00	73.20	10.00	26.00	16.00	11.00	—	
	3NW TSMS	355-400	57.50	133.00	212.00	51.00	5.00	26.00	16.00	11.00	25.40	
	3NW TTM	500-630	77.50	134.00	210.00	74.00	6.40	25.40	15.50	10.50	25.40	4
	3NW TSLS	800	62.00	133.00	212.00	73.20	10.00	25.40	16.00	11.00	25.40	
	3NW TLM	710-800	80.50	134.50	210.00	83.00	9.50	25.40	15.50	10.50	25.40	

## 3NW Fuse Holders Dimensions (mm)

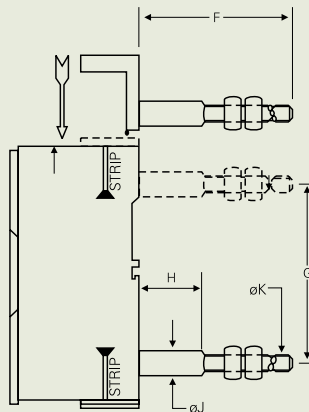
### 3NW20NNSF, 3NW32NNSF



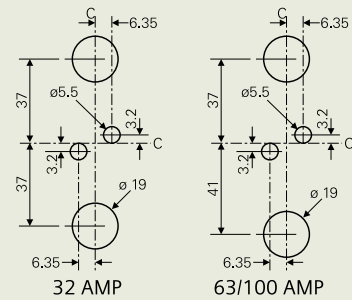
### Standard Front Connected Unit



### Front wiring/Back Stud and Double Back Stud Connected Units



### Panel Drilling Plans, viewed from front of Panel



Units allow easy customer conversion to either Front wiring/Back Stud or Double Back Stud Connected by use of Back Stud Accessories, using only a screwdriver.

Type	A	B	C	D	E	F	G	H	J	K
3NW CM32F	31.8	117.5	60	3.2	17.5	66	74	28.6	11.9	M6
3NW CM63F	35.6	125	60	4.75	16.4	86.5	79.8	28.6	11.9	M6
3NW CM100F	35.6	125	60	4.75	16.4	86.5	79.8	28.6	11.9	M6

# Your partners

## Sales offices:

### Ahmedabad

3rd Floor, Prerna Arbur  
Girish Cold Drinks Cross Roads, Off G.C.Road  
Ahmedabad - 380 009  
☎ : +91 79 40207600  
Fax: +91 79 40207699

### Bengaluru

1st Floor, Jyoti Mahal  
No. 49, St. Marks Road  
Bengaluru - 560 001  
☎ : +91 80 22042000  
Fax: +91 80 22224131

### Chandigarh

SCO 188/191, 3rd Floor, Sector-17 C  
Chandigarh - 160 017  
☎ : +91 172 4690300  
Fax: +91 172 4690399

## Territory managers:

### Aurangabad

A9, Yogeshwari Vrundavan, Nr. Malhar Chowk  
Garkheda Parisar, Prem Nagar  
Aurangabad - 431210, Maharashtra  
Mobile: +91 9766316446  
E-mail: santosh.rajhans@siemens.com

### Baroda

3rd Floor, OHM Business Park  
Opp. Balaji Hospital, Ellora Park, Shubhanpura  
Baroda - 390023  
☎ : +91 265-669210  
Mobile: +91 9825506962  
E-mail: bhushan.sawant@siemens.com

### Belgaum

H.No. 713, Narvekar Lane, Shahpur  
Belgaum - 590008, Karnataka  
☎ : +91 831 2495156  
Mobile: +91 9740277991  
E-mail: anand.gawade@siemens.com

### Bhilai

25/2, Nehru Nagar (West), SBI Colony  
Bhilai - 490020, Chhattisgarh  
Mobile: +91 7869913404  
E-mail: prashant.ghate@siemens.com

### Bhopal

Flat No. 104, Sagar Home Phase-2  
Sarvadhama Society, Nayapura Road  
Bhopal - 462042, Madhya Pradesh  
Mobile: +91 9977228084  
E-mail: prajwal.khapekar@siemens.com

### Bhubaneswar

Flat No. 109, Hara Priya Apartment  
Vivekanand Marg  
Bhubaneswar - 751002, Orissa  
Mobile: +91 9937097504  
E-mail: sumit.sengupta@siemens.com

### Calicut

Door No. 19/C - 192 CPM House  
Naderi (PO), Koyilandy (via)  
Calicut - 673326  
☎ : +91 9645963636  
E-mail: ragesh.ri@siemens.com

### Cochin

K.G. Oxford Business Centre  
3A, Shreekanth Rd, Ravipuram  
Cochin - 682016  
☎ : +91 4028611/22  
Mobile: +91 9387384848  
E-mail: sudheer.ts@siemens.com

### Cochin

K.G. Oxford Business Centre  
3A, Shreekanth Rd, Ravipuram  
Cochin - 682016  
Mobile: +91 9744511109  
E-mail: sajeen.s@siemens.com

### Dehradun

32, Dhronpuri, Main Lane, G.M.S.  
Deharadun - 248001, Uttarakhand  
Mobile: +91 8650404404  
E-mail: shashibhushan.prasad@siemens.com

### Chennai

Sathak Centre, No.4., Mahatma Gandhi Road  
Chennai - 600034  
☎ : +91 44 28334000  
Fax: +91 44 28334088

### Coimbatore

7th Floor, Global Towers, 1057, Avinash Road  
Coimbatore - 641 018  
☎ : +91 422 4336300  
Fax: +91 422 4336310

### Hyderabad

5-9-19, 4th & 5th Floor, Laxmi Narasinh Estate  
Opp. Secretariat Road, Saifabad  
Hyderabad - 500 004  
☎ : +91 40 2348 2500  
Fax: +91 40 23243145

### Durgapur

14, Dinabandhu Mitra Path  
Near Kavi Guru Middle Stop  
SAIL Co-Operative Area, City Centre  
Durgapur - 713216  
Mobile: +91 9874343052  
E-mail: rana.mitra@siemens.com

### Guwahati

G-1, Hill View Apartment  
Navagraha Path, Chenikuthi Hill Side  
Guwahati - 781003, Assam  
Mobile: +91 9864110684  
E-mail: biplab.datta@siemens.com

### Guwahati

G-1, Hill View Appartment  
Navagraha Path, Chenikuthi Hill Side  
Guwahati - 781003, Assam  
Mobile: +91 9435346708  
E-mail: Sourav.Bhattacharya@siemens.com

### Haridwar

6, Nand Puri, Nr. Aya Nagar Chowk, Jwalapur  
Haridwar - 249407, Uttarakhand  
☎ : +91 1334 251943  
Mobile: +91 9897070133  
E-mail: ankur.singh@siemens.com

### Indore

Flat No. 102, Panchavati Apart.  
40 Chandralok Colony, Khajrana Road  
Indore - 452001, Madhya Pradesh  
Mobile: +91 9926939993  
E-mail: prashant.joshi@siemens.com

### Jaipur

6, Park Street, Opp. Pink City Petrol Pump, M.I.Road  
Jaipur - 302001, Rajasthan  
☎ : +91 141 5152108  
Mobile: +91 9829244313  
E-mail: gupta.arun@siemens.com

### Jalandhar

H.No.943, Urban Estate, Phase I  
Jalandar - 144022, Punjab  
☎ : +91 181 4613929  
Mobile: +91 9876047929  
E-mail: sunil.singla@siemens.com

### Jamshedpur

823, Udaigiri Vijaya Heritage, Uliyan, Kadma  
Jamshedpur - 831005, Jharkhand  
☎ : +91 657 6451637  
Mobile: +91 9934311352  
E-mail: shaibal.parial@siemens.com

### Jodhpur

371, Gauri House  
Kamala Nehru Nagar, Nr. SBI Bank  
Jodhpur - 342008, Rajasthan  
☎ : +91 291 2760371  
Mobile: +91 9828327200  
E-mail: naveen.sahariya@siemens.com

### Kanpur

Flat No.403, Gulmohar Garden Phase II  
Near Mariampur Hospital, Chain Factory  
Shastri Nagar  
Kanpur - 208005  
Mobile: +91 8009900939  
E-mail: shagun.gupta@siemens.com

### Kolkata

43, Shanti Palli, Rashbihari Bypass Connector  
Eastern Metropolitan Bypass  
Kolkata - 700 042  
☎ : +91 33 2444 9000, 24428641-47  
Fax: +91 33 2444 9010/13

### Lucknow

28/45, Ashok Marg, Opp. Indira Bhawan  
Lucknow - 226001  
☎ : +91 522 4031022, 4031000  
Fax: +91 522 4031019

### Mumbai

8th Floor, R&D Technology Centre  
Thane Belapur Road, Airoli Node  
Navi Mumbai - 400 708  
☎ : +91 22 2764 5005-6  
Fax: +91 22 27645867

### Kolhapur

Flat No.101, Shrushti Mahabharat Apartment  
Mahavir Garden To Mahavir College Road  
Nagala Park  
Kolhapur - 416003  
☎ : +91 231 2663330  
Mobile: +91 9881465421  
E-mail: sachin.chavan@siemens.com

### Ludhiana

H.No.92, Lajpat Nagar, Near Bus Stand  
Ludhiana - 141002, Punjab  
☎ : +91 161 2770574  
Mobile: +91 9815502480  
E-mail: rohit.jagga@siemens.com

### Ludhiana

H.No.95, 1st Floor, Model Gram Extension  
Near Bank of India  
Ludhiana - 141002, Punjab  
Mobile: +91 9888484066  
E-mail: padam.sharma@siemens.com

### Madurai

8/12, Ground Flr.  
Sakthi Vellammal Street, SS colony  
Madurai - 625010, Tamil Nadu  
Mobile: +91 9894617780  
E-mail: mahendiran.murugan@siemens.com

### Nashik

"Aditya Avenue", Flat No.27, 4th Floor, B-Wing  
Near Chandak Circle, Tidke Colony  
Nasik - 422001, Maharashtra  
Mobile: +91 9822193204  
E-mail: kiran.kanhurkar@siemens.com

### Pondicherry

"Raghavendra ILLAM", Grnd Floor  
No 21, 3rd Cross Street, Anna Nagar  
Pondicherry - 605005  
Mobile: +91 9840143536  
E-mail: lakshmanan.s@siemens.com

### Raipur

Flat No.103, First Floor, Block-B, Shilp Enclave  
Nr. IAS Colony, Shankar Nagar  
Raipur - 492007, Chhattisgarh  
Mobile: +91 9425057945  
E-mail: brajesh.rathor@siemens.com

### Rajkot

"Vrujraj", Chandanpark Society  
Opp. Gyanganga Vidhyapith, Nr. Raiya Circle  
Rajkot - 360005, Gujarat  
Mobile: +91 9825021026  
E-mail: hiren.raythatha@siemens.com

### Ranchi

H-1/187, Harmu Housing Colony, Harmu  
Ranchi - 834002, Jharkhand  
Mobile: +91 9234610953  
E-mail: sourav.dasgupta@siemens.com

### Renukoot

Above ICICI Prudential Office, Patel Nagar  
Murdhewa, Distt. Sonbhadra  
Renukoot - 231217, Uttarpradesh  
☎ : +91 544 254693  
Mobile: +91 9838007897  
E-mail: bhav.srivastava@siemens.com

### Nagpur

5th Floor, Land Mark Building  
Wardha Road, Ramdas Peth  
Nagpur - 440 010  
☎ : +91 712 6633000  
Fax: +91 712 6633111

### New Delhi

4A, Ring Road, I.P.Estate, Box.No.7036  
New Delhi - 110 002  
☎ : +91 11 2345 5000-09  
Fax: +91 11 42995030

### Pune

Tower B/701-705, ICC Trade Tower  
403A, Senapati Bapat Road  
Pune - 411016  
☎ : +91 20 2570 6000  
Fax: +91 20 2570 6060

### Rourkela

HIG - B/207, Phase - 3, Kalinga Vihar, Chhend  
Rourkela - 769015, Orissa  
Mobile: +91 9438529778  
E-mail: samir.chintak@siemens.com

### Rudrapur

13/14, Model Colony  
Nr. Gopinath Mandir, Station Road  
Rudrapur - 263153, Distt. Udhamsingh Nagar  
Uttarkhand  
Mobile: +91 9839813707  
E-mail: singh.ajay@siemens.com

### Salem

3/25, Santosh Nagar  
PACB Backside, Chinnathirupathi  
Salem - 8  
☎ : +91 427 2401981  
Mobile: +91 9894617772  
E-mail: rubengerald.s@siemens.com

### Surat

Flat No. 202, D-1, Suryam Residence  
Cause Way Road, Opp. Hari Darshan  
Shingapur-Dabholi Road, Katargam  
Surat - 395004, Gujarat  
Mobile: +91 9925001779  
E-mail: chandrakant.keshrani@siemens.com

### Trichy

Door No.106, Grd. Flr., 5th Cross Street  
Vidyalalai Road, Ganapthy Nagar, Thiruvanaai Koil  
Trichy - 605005  
☎ : +91 431 4345621  
Mobile: +91 9840843121  
E-mail: k.saravanakumar@siemens.com

### Trivandrum

Udayakiran, T.C.No.28/535  
Krishnakovil Road, Kaithamukku  
Trivandrum - 695024, Kerala  
Mobile: +91 9895979604  
E-mail: antony.john@siemens.com

### Udaipur

303, Oasis Park, PP Singhal Marg, Ambagarh  
Udaipur - 313001, Rajasthan  
☎ : +91 294 2430345  
Mobile: +91 9829039120  
E-mail: ajit.parashar@siemens.com

### Vapi

Flat No.302, Samrajya IV, Royal Residency  
Gokul Vihar Township, Charwada Road  
Vapi - 396195, Gujarat  
☎ : +91 260 6451156  
Mobile: +91 9825147957  
E-mail: sachin.paradkar@siemens.com

### Vijaywada

74-32-1, Flat No.304, Tummala Residency  
Opp. Current Office Pandaripuram, Ashok Nagar  
Vijayawada - 520007, Andhra Pradesh  
☎ : +91 866 3060833  
Mobile: +91 9866463639  
E-mail: santosh.p@siemens.com

### Vizag

Flat No. 401, Door No. 9-19-6  
Vinayagar South Avenue, CBM Compound  
Vishakhapatnam - 530003, Andhra Pradesh  
☎ : +91 891 6462229  
Mobile: +91 98492 12555  
E-mail: kvs.prasad@siemens.com

Siemens Ltd.  
Industry Sector  
Building Technologies Division  
Low Voltage Global Components  
R&D Technology Centre  
Kalwa Works, Thane Belapur Road, Thane - 400 601  
Fax: +91 22 27645627  
Email: globalcomponents.in@siemens.com  
[www.siemens.co.in/industry](http://www.siemens.co.in/industry)

Order No.: 103794120  
GC-01-005-006

Customer Care Toll free no.  
1800 220 987 / 1800 209 0987  
Email: adscs.india@siemens.com

Product upgradation is a continuous process. Hence, data in this catalog is subject to change without prior notice. For the latest information, please get in touch with our Sales Offices.