

# TELR series

## Control relay

The TELR control relay series, a successor to the conventional DRHH-series assembly plug-in units, include auxiliary relays, a keep relay, and time-lag relays.

Since this relay has an external shape and terminal socket equivalent to those of the conventional DRHH-series assembly plug-in units, replacement is easy.

Since the TELR series keep relay has a different internal circuit structure than the conventional DRKH series models, refer to the updating notes described below.

### ■ Features

• Select applicable succeeding models (specifications) to your conventional DRHH-series assembly plug-in units. (See the following table and each specification of the TELR-series control relays for details.)

- Since the plug-in structure and terminals of the conventional DRHH-series relays are adopted, the relay can be stored in a case for the conventional DRHH-series assembly plug-in relays (DQBA2, DQBD1, etc.)
- The relay has performance equivalent to that of conventional DRHH-series relays, conforming to the JEC-2500 (1987) power relay, JEC-174D (1979) power auxiliary relay, and JEC-174E (1980) power time-lag relay standards.
- The TELR-series control relays are manufactured by Fuji Electric Industry Co., Ltd., and sold and delivered by Fuji Electric Systems Co., Ltd. You cannot place orders directly with Fuji Electric Industry Co., Ltd.

TELR-series control relay			Corresponding conventional models
Model	Type	Specifications	
Auxiliary relay (Single coil (DC))	TELR-HHB5CA-DC110V	Coil rating : 100/110V DC	DRHHB1CA DRHHB5CA
Auxiliary relay (Single coil (DC)/high speed type)	TELR-HHB5VA-DC110V	Coil rating : 100/110V DC	DRHHB5VA
Auxiliary relay (Double coil (DC))	TELR-HHB1UA-DC0.3A	Coil rating : 0.3A DC	DRHHB1UA
	TELR-HHB1UA-DC0.8A	Coil rating : 0.8A DC	
	TELR-HHB1UA-DC1.0A	Coil rating : 1A DC	
Keep relay	TELR-KHB5AB-DC110V	Coil rating : 100/110V DC	DRKHB1AB DRKHB5AB
Time-lag relay	TELR-TK1PA-100/220-A	Setting : 0.5 to 3s	DRTKA1PA
	TELR-TK1PA-100/220-B	Setting : 1 to 30s	
	TELR-TK1PA-100/220-C	Setting : 30 to 180s	

\* The time-lag relay allows free input voltage between 100 to 200V AC/DC at 50/60Hz DC.

### ■ Notes for updating to the TELR series keep relay

The input terminals of the operating (first) coil and resetting (second) coil of the TELR series keep relay are polarized and feature a terminal structure that is common with the Nos. 2 to 4 input terminals (negative polarity). For this reason, these TELR series characteristics are different from those of the conventional DRKH series models.

When updating the conventional DRKHB series models, pay particular attention to the polarity of the input terminals of these coils. If the No. 2 and No. 4 input terminals are used as + polarity in the conventional model wiring, be sure to change the wiring.

# Auxiliary Relay

## TELR series

★Information required with your inquiry or order.

Coil specifications		Single coil (DC)	
Applications		Generar control circuit (With SA)	High speed operation (With SA)
★Type	Grouped plug-in type units *1	TELR-HHB5CA-DC110V	TELR-HHB5VA-DC110V
Coil ratings	★Voltage DC [V]	100/110V DC	100/110V DC
	Coil resistance [ $\Omega$ ]	First (operation) coil : 5000	First (operation) coil resistance : 1300 Sum total of internal series resistance values : 1000
	Guaranteed operate value	80% or less of ratings	
	Guaranteed resetting value	10% or more of ratings	5% or more of ratings
	Continuous withstand value	130% is continuous of ratings	
Contact *2 ratings	Arrangement	5c	4c (1c in 5c is used for an internal contact)
	Limiting making capacity L/R=0.04 0.5s	110V DC, 5A	
	Continuous current carrying capacity [A]	5A	
	Limiting braeing capacity L/R=0.04	110V DC, 0.3A	
Time characteristics	Operate time (at rated input) [ms]	25 (+5, -8)	10 (+5, -3)
	Resetting time (at rated input) [ms]	25 ( $\pm$ 10)	25 ( $\pm$ 10)
Outline drawings		[ms] Fig. TELR1	
Previous relay type		DRHHB1CA, DRHHB5CA	DRHHB5VA

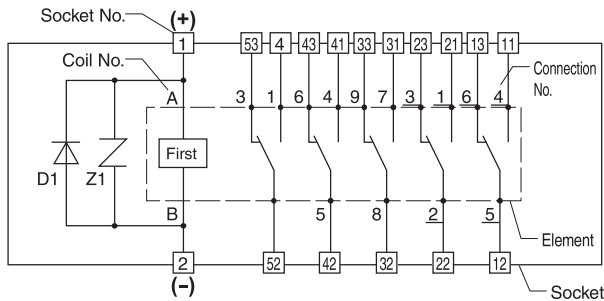
### Notes

\*1 : Note 1: Since the relay can be stored in a grouped plug-in type relay case for the conventional DRHH series (vertical case: DQBA2, DQBD1; horizontal case: DSBA1, DSBB1), the relay can be replaced keeping the conventional wiring as is.

\*2 : Applicable voltage of contacts : 24 to 220V

### Internal connection diagrams

TELR-HHB5CA-DC110V



TELR-HHB5VA-DC110V

