

●LED TYPE

LED INDICATOR



ROUND TYPE LED INDICATOR



FEATURES

■Wide variety for different uses

A broad range of models from 10 to 30 mm in diameter are available. The brightness equivalent to that of an incandescent lamp has been achieved through our original technological efforts.

■Compatible with different types of power sources

These indicators comply with requirements of various power sources which allows connections without decreasing voltage from the control power supply for each facility.

SPECIFICATIONS (RATINGS, PERFORMANCE)

Specification \ Type	TMP	TSPA	HXL	JXL	PXL
Rated insulation voltage (Ui)	250V				
Mounting hole size	$\phi 10.1^{+0.2}$	$\phi 16.2^{+0.2}$	$\phi 22.3^{+0.4}$	$\phi 25.5^{+0.5}$	$\phi 30.5^{+0.5}$
Screw size	Faston tab #110	M3×6	M3.5×8	M3.5×8	M3.5×8
Rated current	8mA	6mA	11mA	11mA	11mA
Lightning impulse	----- $\pm 4.5kV$ ----- $\pm 7kV$ ----- 3 times for each pole (1.2 / 50 μ s) (Whole live part to mounting panel)				
Recognition distance	10m (1,000 LX in illuminance on applicable panel)				
Power-frequency withstand voltage	----- 2,000V AC -----		----- 2,500V AC ----- 1 min.		
Operating temperature	-20 to 55°C	-25 to 55°C	-20 to 40°C		
Storing temperature	-25 to 75°C	-40 to 75°C	-25 to 65°C		
Altitude	2,000 m max.				
Weight	15g	20g	20g	25g	30g

HOW TO ORDER

[TMPN type]

TMPN-024-RB (S)

Basic type				Supply voltage				Lens color				Frame color (B only)		Lens type	
Code	Voltage	Code	Voltage	Code	Color	Code	Color	Code	Color	Code	Color	Code	Type		
005	5V AC / DC	048	48V AC / DC	R	Red	O	Orange	B	N1.5	(S)	Round type				
012	12V AC / DC	063	63.5V AC / DC	G	Green	W	Milky white			(E)	Round flat type				
024	24V AC / DC	110	100 / 110V AC / DC												

* GPT (Ground Potential Transformer, special spec) is also available. Please contact us for detail.

High-brightness type

[TMPH type]

TMPH-024-RB (S)

Basic type				Supply voltage				Lens color				Frame color (B only)		Lens type	
Code	Voltage	Code	Voltage	Code	Color	Code	Color	Code	Color	Code	Color	Code	Type		
005	5V AC / DC	048	48V AC / DC	R	Red	W	Milky white	B	N1.5	(S)	Round type				
012	12V AC / DC	063	63.5V AC / DC	+G	Green	O	Orange			(E)	Round flat type				
024	24V AC / DC	110	100 / 110V AC / DC	+BL	Blue										

* No 5V versions are available in G (green) and BL (blue).

[TSPA type]

TSPA-DC024-RB (E)

Basic type				Supply voltage				Lens color				Frame color		Lens type	
Code	Voltage	Code	Voltage	Code	Color	Code	Color	Code	Color	Code	Color	Code	Type		
DC012	12V DC	AC024	24V AC	R	Red	O	Orange	B	N1.5	(S)	Round type				
DC024	24V DC	AC048	48V AC	G	Green	W	Milky white			(E)	Round flat type				
DC110	100 / 110V DC	AC063	63.5V AC	Y	Yellow	C	Clear								
DC125	125V DC	AC110	100 / 110V AC	BL	Blue										
DC220	220V DC	AC220	200 / 220V AC												
		AC240	240V AC												

* 220V DC and 240V AC are special voltage spec.



ROUND TYPE LED INDICATOR

HOW TO ORDER

[HXL · JXL · PXL type]

HXL-110-RB(S)

Basic type	
Code	Mounting hole (φ)
HXL	22
JXL	25
PXL	30

Display color			
Code	Color	Code	Color
R	Red	O	Orange
G	Green	W	Milky white
Y	Yellow ^{*2}	B	Blue ^{*2}
P	Pure white ^{*2}		

Frame color	
Code	Color
B	Black (N1.5)
CR	Chrome ^{*3}

^{*3} Chrome is only for PXL.

Lens type	
Code	Type
(S)	Round type

Supply voltage

Code	Voltage	Code	Voltage
024	24V AC / DC	125	125V AC / DC
048	48V AC / DC	220	200/220V AC / DC
110	100/110V AC / DC	240	240V AC / DC ^{*1}

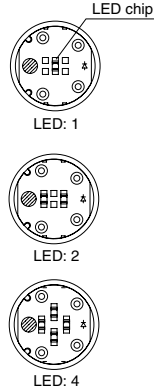
^{*2} Y, B and P are special spec.

^{*1} 240V AC/DC is available only for HXL type (special voltage).

LED chip number for HXL / JXL / PXL LED unit

* LED unit for JXL and PXL is common (PXL-LED).

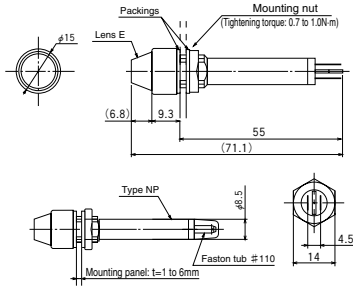
Color	HXL	JXL	PXL
R (Red)	2	4	4
O (Orange)	2	4	4
W (Milky white)	2	4	4
Y (Yellow)	2	4	4
G (Green)	1	2	2
B (Blue)	1	2	2
P (Pure white)	1	2	2



PILOT LAMP & INDICATOR

STANDARD PRODUCTS

TMPN (φ10)



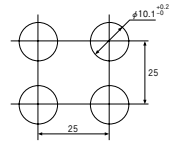
●Applicable accessories

LED lamp **TMP-LEDN-□**

Lens **TMP Lens E-□**
(Round flat type)
WMP Lens S-□
(Round type)

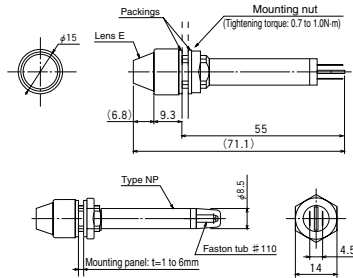
Tightening tool **TMP-Q**

●Mounting hole size



TMPH (φ10)

High-brightness type



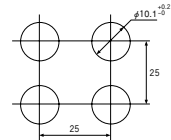
●Applicable accessories

LED lamp **TMP-LEDH-□**

Lens **TMP Lens E-□**
(Round flat type)
WMP Lens S-□
(Round type)

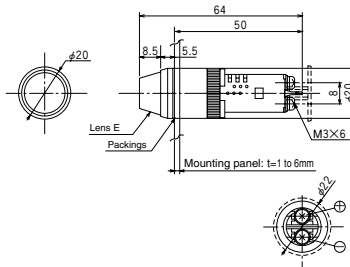
Tightening tool **TMP-Q**

●Mounting hole size



TSPA (φ16)

(GPT type is same shape)



●Applicable accessories

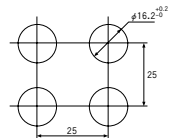
LED lamp **TS-LEDA-□**

Lens **TS-Lens E-□**
(Round flat type)
WS-Lens S-□
(Round type)

Tightening tool **Tightening jig F**

Protective cover **TS-CV**

●Mounting hole size



LED TYPE

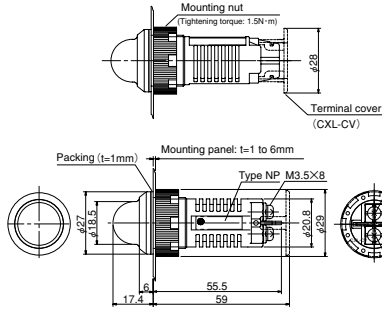
LED INDICATOR



ROUND TYPE LED INDICATOR

STANDARD PRODUCTS

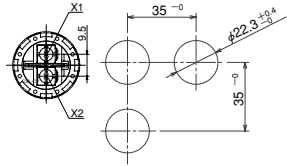
HXL (φ 22)



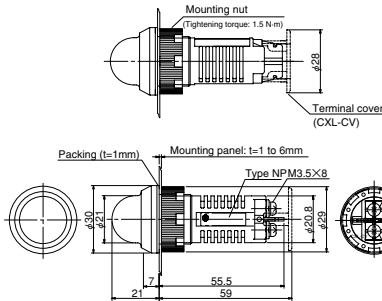
● Applicable accessories

LED lamp	HXL-LED□-□
Lens	HXL-LENS-□(S)
Tightening tool	CXL30-Q
Removing tool	XL-NQ
Terminal cover	CXL-CV

● Mounting hole



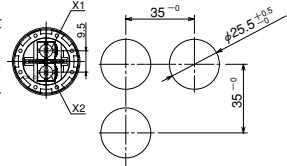
JXL (φ 25)



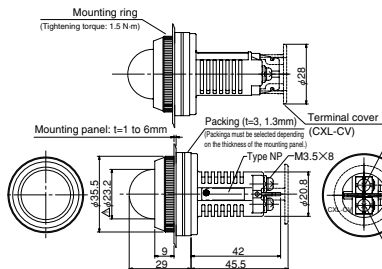
● Applicable accessories

LED lamp	PXL-LED□-□
Lens	JXL-LENS-□(S)
Tightening tool	CXL30-Q
Removing tool	XL-NQ
Terminal cover	CXL-CV

● Mounting hole



PXL (φ 30)



● Applicable accessories

LED lamp	PXL-LED□-□
Lens	PXL-LENS-□(S)
Removing tool	XL-NQ
Terminal cover	CXL-CV

● Mounting hole

