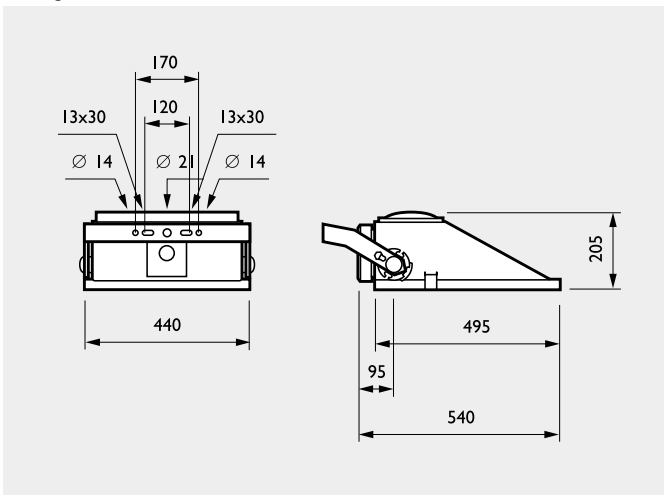




With gear



Dimensions in mm

M/SNF 210

These high-efficiency, integral gear floodlights for downlighting, throw low-glare asymmetric beams with all the light distribution below the horizontal. They accommodate a metal halide lamp for good color rendering, or a high-pressure sodium lamp for economical running costs.

Classifications

IP55
Class I
Complies with IEC 598

Main applications

- Industrial areas
- Sports facilities
- Car parks
- Roundabouts
- Security

Features

- ¥ The light is distributed entirely below the horizontal plane, ensuring excellent glare restriction.
- ¥ Reflector with smooth faceted rear section and hammered main section combines high beam efficiency and outstanding glare suppression with good uniform distribution.
- ¥ Horizontal mounting for downlighting at a recommended height of 6-12 metres.
- ¥ A protractor scale on the side of the floodlight indicates the angles between -5 and $+15^\circ$ at which the floodlight can be mounted.
- ¥ Universal mounting bracket for ceiling, wall or surface mounting.

- ¥ Fast in-position electrical connection and maintenance, and lamp replacement. Lamp replacement does not affect beam adjustment.
- ¥ Gear incorporated in separate gear compartment at rear of housing: version is also available without gear.

Materials and finish

Non-corrosive, high-pressure diecast aluminium housing, painted black; injection-moulded polycarbonate/polyamide gear box, black; high-grade anodised aluminium reflector; 5 mm-thick toughened glass; silicon rubber seals; hot-dipped galvanised steel mounting bracket; red mounting caps. All external fixings in stainless steel.

Installation and mounting

Universal mounting bracket allows ceiling, wall or surface mounting. Through wiring is possible. Front glass in hinged window with quick-release clips for in-position lamp replacement without disturbing the aiming of the floodlight. Dustproof and jetproof; no internal cleaning required. Maximum ambient temperature 50°C .

Accessories

U-shaped bracket for mounting on 60-76 mm OD poles. Black anodised skirt to screen off light from the foot of multiple-array masts.

Type	Lamp	Net Wt. per (kg)	Qty per box
Floodlights 230V/50Hz			
SNF 210/150	SON-T 150 W	14.5	1
SNF 210/250	SON-T PLUS 250W	14.9	1
SNF 210/400	SON-T PLUS 400W	16.2	1
MNF 210/250	HPI-T 250W	14.1	1
MNF 210/400	HPI-T 400W	15.4	1
Without gear			
M/SNF 210/E40	SON-T PLUS/HPI-T 250 or 400W	11.4	1
Skirt			1
U-shaped bracket for pole mounting		0.09	1

SNF 210
1 X SON-T400W

