

Ref. : RF 1100.pas

Rev. : G

Date : 08/03/2013

Page : 1/1

BRASS FLOAT VALVE

RF 1100



Tecofi
VALVE DESIGNER - FRANCE

APPLICATION

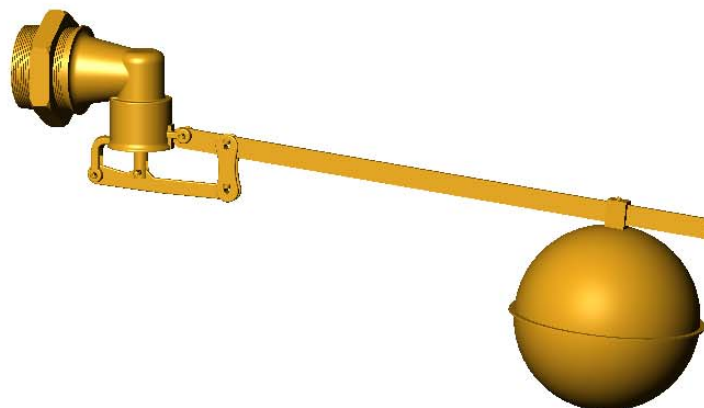
Fluid section.
Measure, control, gauge.

GENERAL CHARACTERISTICS

Ball valve with double toggles.
Brass body, copper float or ajustable PVC.
Round arm for connection 1/4W from DN10 to DN15.
Flat arm from DN20 to DN100.

CONSTRUCTION

5	1	Lever	DN12-15 Brass DN20-50 Stainless steel DN65-100 Brass	
4	1	Nut	Brass CuZn39Pb2	DIN: CuZn39Pb2 ASTM: B124 C37700 BS: 12164 CZ121
3	1	Seat	Brass	
2	1	Float	Copper, PVC	
1	1	Body	Brass CuZn39Pb2	DIN: CuZn39Pb2 ASTM: B124 C37700 BS: 12164 CZ121
Rep.	Nb.	Description	Material	



DIMENSIONS

DN		A	ØD	Working pressure PSmax (bar)	Flow (l/min)	Weight Float (kg)	Weight Valve (kg)
mm	inch						
10	3/8"	175	90	2	12	0.036	0.143
				5	15		
15	1/2"	175	90	2	12	0.036	0.225
				5	15		
20	3/4"	300	120	2	52	0.2	0.5
25	1"	300	150	2	134	0.2	0.49
32	1" 1/4	500	180	1	264	0.3	0.94
40	1" 1/2	500	180	1	464	0.3	1.43
50	2"	500	220	1	594	0.5	1.89
65	2" 1/2	600	300	1	719	2	4.15
80	3"	650	300	1	1030	2	5.10
100	4"	700	300	1	1585	2	7.95

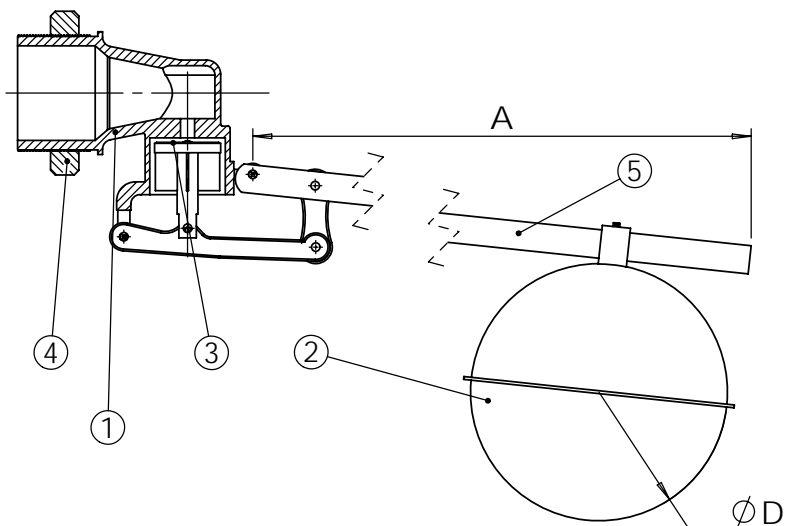
WORKING CONDITIONS

Maximum temperature : + 80°C.

Pressure test according to standards
EN 12266-1, DIN 3230, BS 5154 and ISO 5208.

STANDARDS

BSP threaded according to standard ISO 228-1.



TECOFI France - 83, Rue Marcel Mérieux 69960 Corbas - FRANCE
Tél. +33 (0) 4 72 79 05 79 - Fax +33 (0) 4 78 90 19 19 / +33 (0) 4 72 79 05 70
Adresses e-mail : sales@tecofi.fr ; tecofi@tecofi.fr / Site web : www.tecofi.fr