

Type 8560

5. If using a manual handwheel or handlever actuator, refer to the appropriate actuator instruction manual for mounting positions and adjustments.

6. To determine the fully closed disk position (zero degrees of disk rotation), measure the distances between the positions on the disk face as shown in figure 9. Use the actuator to rotate the disk while re-checking the two measurements. Repeat adjustment until the two measurements are equal.

Parts Ordering

When corresponding with your Fisher sales office about this equipment, always mention the valve serial number.

ENVIRO-SEAL Packing Arrangements

Retrofit kits and repair kits are listed in the tables below. For additional parts and repair information, refer to the *ENVIRO-SEAL Packing System—Rotary Valves Instruction Manual (Form 5305)* or contact your Fisher sales office for assistance.

Retrofit Kits for ENVIRO-SEAL Packing

Retrofit kits include new parts for the key numbers listed in the table below (see figure 8 for part locations).

ENVIRO-SEAL Packing Retrofit Kits

SHAFT DIAMETER ⁽¹⁾	
mm	Inches
12.7	1/2
15.9	5/8
19.1	3/4
25.4	1
31.8	1-1/4
38.1	1-1/2
Parts Included in Kit	
Key	Description
100	Packing stud
101	Packing nut
102	Packing flange
103	Spring pack ass'y
105	Packing set
106	Anti-extrusion washer
107	Packing box ring
111	Tag
112	Tie cable

1. Diameter through the packing box.

Repair Kits for ENVIRO-SEAL Packing

Repair Kits include replacement parts for key 105 and 106 for the shaft diameters listed below.

ENVIRO-SEAL Packing Repair Kits

SHAFT DIAMETER ⁽¹⁾	
mm	Inches
12.7	1/2
15.9	5/8
19.1	3/4
25.4	1
31.8	1-1/4
38.1	1-1/2
Parts Included in Kit	
Key	Description
105	Packing set
106	Anti-extrusion washer

1. Diameter through the packing box.

Parts List

Note

Part numbers are shown for recommended spares only. For part numbers not shown, contact your Fisher sales office.

Key	Description	Part Number
1	Valve Body If you need a new valve body, order by valve size, serial number and desired material.	
2*	Seal Retainer	See following table
3	Valve Disk	
3	Disk/Shaft Assembly, 2-inch only	
4*	Seal Ring	
	PTFE	
	2-inch	75B0387X012
	3-inch	75B0020X012
	4-inch	75B0042X012
	6-inch	75B0003X012
	8-inch	75B0311X012
	10-inch	75B0312X012
	12-inch	75B0313X012
	UHMWPE	
	2-inch	75B0387X022
	3-inch	75B0020X022
	4-inch	75B0042X022
	6-inch	75B0003X022
	8-inch	75B0311X022
	10-inch	75B0312X022
	12-inch	75B0313X022
	Glass filled PTFE	
	2-inch	75B0387X032
	3-inch	75B0020X032
	4-inch	75B0042X032
	6-inch	75B0003X032

Instruction Manual

Form 5343
June 2001

Type 8560

Key	Description	Part Number	Key	Description	Part Number
4*	Seal Ring (continued)		6*	Bearing (2 req'd) (continued)	
	Glass filled PTFE			PEEK/PTFE	
	8-inch	75B0311X032		12-inch	
	10-inch	75B0312X032		Class 300	75B1078X012
	12-inch	75B0313X032		316/Melonite	
	NOVEX S31600 SST			2-inch	75B0599X012
	2-inch	17A7544X022		3-inch	
	3-inch	75B1108X012		Class 150	75B1136X012
	4-inch	75B1109X012		Class 300	75B1099X012
	6-inch	75B1110X012		4-inch	
	8-inch	75B0341X012		Class 150	75B1136X022
	10-inch	75B1112X012		Class 300	75B1100X012
	12-inch	75B1113X012		6-inch	
	NOVEX Nitronic 60			Class 150	75B1136X032
	3-inch	75B1108X022		Class 300	75B1101X012
	4-inch	75B1109X022		8-inch	
	6-inch	75B1110X022		Class 150	75B1136X042
	8-inch	75B0341X022		Class 300	75B1102X012
	10-inch	75B1112X022		10-inch	
	12-inch	75B1113X022		Class 150	75B1136X052
	Phoenix III S31600/PTFE			Class 300	75B1103X012
	3-inch	75B1115X012		12-inch	
	4-inch	75B1116X012		Class 150	75B1136X062
	6-inch	75B1117X012		Class 300	75B1104X012
	8-inch	75B0351X012	7*	Disk Spacer (2 req'd)	
	10-inch	75B0337X012		w/ Metal Brgs, Class 150 only	
	12-inch	75B0339X012		3-inch	75B1176X012
5*	Spring			4-inch	75B1176X022
	S31600 SST			6-inch	75B1176X032
	2-inch	12A9022X012		8-inch	75B1176X042
	3-inch	75B0021X012		10-inch	75B1176X052
	4-inch	75B0043X012		12-inch	75B1176X062
	6-inch	75B0004X012	8*	Drive Shaft	see following table
	8-inch	75B0012X012	9*	Hollow Pin	See following table
	10-inch	75B0029X012	10*	Taper Pin	See following table
	12-inch	75B0036X012	11	Adaptor Plate	
	Elgiloy		12	Socket Head Cap Screw (4 req'd)	
	2-inch	12A9022X062	13*	Bearing Spacer (2 req'd)	
	3-inch	75B0021X052		w/ Metal Brgs, Class 150 only	
	4-inch	75B0043X052		3-inch	75B1137X012
	6-inch	75B0004X052		4-inch	75B1137X022
	8-inch	75B0012X052		6-inch	75B1137X032
	10-inch	75B0029X052		8-inch	75B1137X042
	12-inch	75B0036X052		10-inch	75B1137X052
6*	Bearing (2 req'd)			12-inch	75B1137X062
	PEEK/PTFE		14	Hex Head Cap Screw, Steel	
	2-inch	75B0620X012	14	Stud Bolt, SST	
	3-inch		15*	Backup Ring	See following table
	Class 150	75B1066X012	16*	Gasket, Graphite	
	Class 300	75B1073X012		w/ Metal and Phoenix III seals	
	4-inch			3-inch	75B1124X022
	Class 150	75B1067X012		4-inch	75B1124X032
	Class 300	75B1074X012		6-inch	75B1124X042
	6-inch			8-inch	75B1545X012
	Class 150	75B1068X012		10-inch	75B1545X022
	Class 300	75B1075X012		12-inch	75B1545X032
	8-inch		17	Hex Socket Cap Screw	
	Class 150	75B1069X012	18	Mfg Label	
	Class 300	75B1076X012	19	Drive Screw, w/ nameplate	
	10-inch		20	Hex Nut	
	Class 150	75B1070X012	21	Nameplate	
	Class 300	75B1077X012	22	Lead Seal & Wire	
	12-inch		23	Bottom Cap, 12" only	
	Class 150	75B1071X012	24	Bottom Cap Stud, 12" only	

Type 8560

Key	Description
25	Bottom Cap Hex Nut, 12" only
27	Bottom Cap Gasket, 12" only
29	Flow Arrow, 3-12"
30	Retainer Clip, 2" only

Packing

Note

Part numbers in this section are listed by shaft diameter (inches).

SHAFT DIAMETER	VALVE SIZE	
	Class 150	Class 300
1/2	2 & 3	2
5/8	4	3
3/4	6	4
1	8	6
1-1/4	10	8
1-1/2	12	10
1-3/4	---	12

Key	Description	Part Number
100	Packing Stud	
101	Packing Nut	
102	Packing Flange	
103	Spring Pack Assembly, ENVIRO-SEAL & KALREZ	
105*	Packing Set	
	PTFE/Carbon filled PTFE	
	1/2-inch	12A9016X022
	5/8-inch	1R5795X0012
	3/4-inch	12A8995X022
	1-inch	12A8832X022
	1-1/4-inch	12A8951X022
	1-1/2-inch	12A8935X022
	1-3/4-inch	12A9057X022
	ENVIRO-SEAL PTFE	
	1/2-inch	12B7053X012
	5/8-inch	12B7402X012
	3/4-inch	12B7414X012
	1-inch	12B7438X012
	1-1/4-inch	12B7450X012
	1-1/2-inch	12B7462X012
	1-3/4-inch	14B3049X012
	ENVIRO-SEAL Graphite	
	1/2-inch	13B8816X012
	5/8-inch	13B8816X032
	3/4-inch	13B8816X052
	1-inch	13B8816X092
	1-1/4-inch	13B8816X112
	1-1/2-inch	13B8816X142
	1-3/4-inch	13B8816X152
	KALREZ/PTFE	
	1/2-inch	24B6254X012
	5/8-inch	24B6254X022
	3/4-inch	24B6254X032
	1-inch	24B6254X052
	1-1/4-inch	24B6254X062
	1-1/2-inch	24B6254X072

Key	Description	Part Number
105*	Packing Set (continued)	
	KALREZ/CRCC	
	1/2-inch	24B6255X012
	5/8-inch	24B6255X022
	3/4-inch	24B6255X032
	1-inch	24B6255X052
	1-1/4-inch	24B6255X062
	1-1/2-inch	24B6255X072
106*	Anti-Extrusion Ring, ENVIRO-SEAL PTFE	
	1/2-inch	12B7054X012
	5/8-inch	12B7406X012
	3/4-inch	12B7418X012
	1-inch	12B7442X012
	1-1/4-inch	12B7454X012
	1-1/2-inch	12B7466X012
	1-3/4-inch	14B3045X012
107*	Packing Box Ring	
	Standard Packing (by trim material)	
	1/2-inch	
	S31600	16A6082X012
	Alloy 20	16A6082X042
	Hastelloy C	16A6082X092
	Monel	16A6082X082
	5/8-inch	
	S31600	16A6083X012
	Alloy 20	16A6083X052
	Hastelloy C	16A6083X082
	Monel	16A6083X102
	3/4-inch	
	S31600	16A6084X012
	Alloy 20	16A6084X082
	Hastelloy C	16A6084X072
	Monel	16A6084X032
	1-inch	
	S31600	16A6085X012
	Alloy 20	16A6085X042
	Hastelloy C	16A6085X092
	Monel	16A6085X082
	1-1/4-inch	
	S31600	16A6086X012
	Alloy 20	16A6086X042
	Hastelloy C	16A6086X092
	Monel	16A6086X082
	1-1/2-inch	
	S31600	16A6087X012
	Alloy 20	16A6087X102
	Hastelloy C	16A6087X092
	Monel	16A6087X082
	1-3/4-inch, S31600 only	12A9058X012
	ENVIRO-SEAL Packing	
	1/2-inch	16A6082X012
	5/8-inch	16A6083X012
	3/4-inch	16A6084X012
	1-inch	16A6085X012
	1-1/4-inch	16A6086X012
	1-1/2-inch	16A6087X012
	1-3/4-inch	12A9058X012
	KALREZ	
	1/2-inch	14B6188X012
	5/8-inch	14B6190X012
	3/4-inch	14B6191X012
	1-inch	14B6195X012
	1-1/4-inch	14B6197X012
	1-1/2-inch	14B6198X012

Instruction Manual

Form 5343
June 2001

Type 8560

Key	Description	Part Number	Key	Description	Part Number
108*	Packing Ring, Graphite Ribbon		114	Packing Follower	
	1/2-inch	12A9134X012	115*	Packing Washer, Graphite Ribbon	
	5/8-inch	12A9135X012		1/2-inch	14A8362X012
	3/4-inch	12A9136X012		5/8-inch	14A9771X012
	1-inch	12A9137X012		3/4-inch	14A8363X012
	1-1/4-inch	12A9138X012		1-inch	14A8365X012
	1-1/2-inch	12A9139X012		1-1/4-inch	14A8366X012
	1-3/4-inch	12A9140X012		1-1/2-inch	14A8367X012
111	Tag			1-3/4-inch	14A9772X012

Key 2*. Seal Retainer

VALVE STYLE	VALVE SIZE, INCHES	MATERIAL					
		Steel	S31600 SST	S31700 SST	Alloy 20	Hastelloy C	Monel
PTFE Seal Ring							
Wafer	2	75B0385X012	75B0385X022	75B0385X032	75B0385X042	75B0385X062	75B0385X052
	3	75B0019X012	75B0019X022	75B0019X032	75B0019X042	75B0019X062	75B0019X052
	4	75B0041X012	75B0041X022	75B0041X032	75B0041X042	75B0041X062	75B0041X052
	6	75B0002X012	75B0002X022	75B0002X032	75B0002X042	75B0002X062	75B0002X052
	8	75B0010X012	75B0010X022	75B0010X032	75B0010X042	75B0010X062	75B0010X052
	10	75B0027X012	75B0027X022	75B0027X032	75B0027X042	75B0027X062	75B0027X052
	12	75B0034X012	75B0034X022	75B0034X032	75B0034X042	75B0034X062	75B0034X052
NOVEX and Phoenix III Seal Ring							
Wafer	2	21B4667X012	21B4667X022	---	---	---	---
	3	75B1040X012	75B1040X072	75B1040X082	---	---	---
	4	75B1041X012	75B1041X072	75B1041X082	---	---	---
	6	75B1042X012	75B1042X072	75B1042X082	---	---	---
	8	75B1539X012	75B1539X022	75B1539X032	---	---	---
	10	75B1540X012	75B1540X022	75B1540X032	---	---	---
	12	75B1541X012	75B1541X022	75B1541X032	---	---	---
PTFE Seal Ring							
Single Flange	3	75B0085X012	75B0085X022	75B0085X032	75B0085X042	75B0085X062	75B0085X052
	4	75B0078X012	75B0078X022	75B0078X032	75B0078X042	75B0078X062	75B0078X052
	6	75B0050X012	75B0050X022	75B0050X032	75B0050X042	75B0050X062	75B0050X052
	8	75B0060X012	75B0060X022	75B0060X032	75B0060X042	75B0060X062	75B0060X052
	10	75B0067X012	75B0067X022	75B0067X032	75B0067X042	75B0067X062	75B0067X052
	12	75B0074X012	75B0074X022	75B0074X032	75B0074X042	75B0074X062	75B0074X052
NOVEX and Phoenix III Seal Ring							
Single Flange	3	75B1047X132	75B1047X072	75B1047X082	---	---	---
	4	75B1048X132	75B1048X072	75B1048X082	---	---	---
	6	75B1049X132	75B1049X072	75B1049X082	---	---	---
	8	75B1542X012	75B1542X022	75B1542X032	---	---	---
	10	75B1543X012	75B1543X022	75B1543X032	---	---	---
	12	75B1544X012	75B1544X022	75B1544X032	---	---	---

Type 8560

Key 8*. Shaft

VALVE SIZE, INCHES	MATERIAL				
	17-4PH H1075	Nitronic 50	Alloy 20	Hastelloy C	Monel
Class 150					
2 ⁽¹⁾	75B0609X012	75B0609X022	75B0609X032	75B0609X042	75B0609X052
3	75B0018X012	75B0018X022	75B0018X032	---	75B0018X042
4	75B0040X012	75B0040X022	75B0040X032	75B0040X052	75B0040X042
6	75B0008X012	75B0008X022	75B0008X032	75B0008X052	75B0008X042
8	75B0016X012	75B0016X022	75B0016X032	75B0016X052	75B0016X042
10	75B0026X012	75B0026X022	75B0026X032	75B0026X052	75B0026X042
12	75B0033X012	75B0033X022	75B0033X032	75B0033X052	75B0033X042
Class 300					
3	75B0023X012	75B0023X022	75B0023X032	75B0023X052	75B0023X042
4	75B0045X012	75B0045X022	75B0045X032	75B0045X052	75B0045X042
6	75B0006X012	75B0006X022	75B0006X032	75B0006X052	75B0006X042
8	75B0014X012	75B0014X022	75B0014X032	75B0014X052	75B0014X042
10	75B0031X012	75B0031X022	75B0031X032	75B0031X052	75B0031X042
12	75B0038X012	75B0038X022	75B0038X032	75B0038X052	75B0038X042

1. The 2-inch valve is multi-rated to Classes 150, 300 and 600.

Key 9*. Hollow Pin (2 req'd)

VALVE SIZE, INCHES	CLASS 150				CLASS 300			
	Shaft Material				Shaft Material			
	17-4PH H1075 & Nitronic 50	Alloy 20	Hastelloy C	Monel	17-4PH H1075 & Nitronic 50	Alloy 20	Hastelloy C	Monel
3	75B1122X012	75B1122X082	---	75B1122X152	75B1122X022	75B1122X092	75B1122X232	75B1122X162
4	75B1122X022	75B1122X092	75B1122X232	75B1122X162	75B1122X032	75B1122X102	75B1122X242	75B1122X172
6	75B1122X032	75B1122X102	75B1122X242	75B1122X172	75B1122X042	75B1122X112	75B1122X252	75B1122X182
8	75B1122X042	75B1122X112	75B1122X252	75B1122X182	75B1122X052	75B1122X122	75B1122X262	75B1122X192
10	75B1122X052	75B1122X122	75B1122X262	75B1122X192	75B1122X062	75B1122X132	75B1122X272	75B1122X202
12	75B1122X062	75B1122X132	75B1122X272	75B1122X202	75B1122X072	75B1122X142	75B1122X282	75B1122X212

Key 10*. Taper Pin (2 req'd)

VALVE SIZE, INCHES	CLASS 150				CLASS 300			
	Shaft Material				Shaft Material			
	17-4PH H1075 & Nitronic 50	Alloy 20	Hastelloy C	Monel	17-4PH H1075 & Nitronic 50	Alloy 20	Hastelloy C	Monel
2	12A9019X072	12A9019X052	12A9019X042	12A9019X032	12A9019X072	12A9019X052	12A9019X042	12A9019X032
3	19A3749X012	19A3749X042	---	19A3749X032	F14119X0052	F14119X0062	F14119X0072	F14119X0082
4	F14119X0052	F14119X0062	F14119X0072	F14119X0082	G11299X0032	G1129940092	G1129940152	G1129940022
6	G11299X0032	G1129940092	G11299400152	G1129940022	F13668X0022	F1366840092	F13668X0032	F1366840022
8	F13668X0022	F1366840092	F13668X0032	F1366840022	G13725K0022	G1372540092	G13725X0082	G1372540022
10	G13725K0022	G1372540092	G13725X0082	G1372540022	75B0333X012	75B0333X022	75B0333X032	75B0333X042
12	75B0333X012	75B0333X022	75B0333X032	75B0333X042	75B0334X012	75B0334X022	75B0334X032	75B0334X042

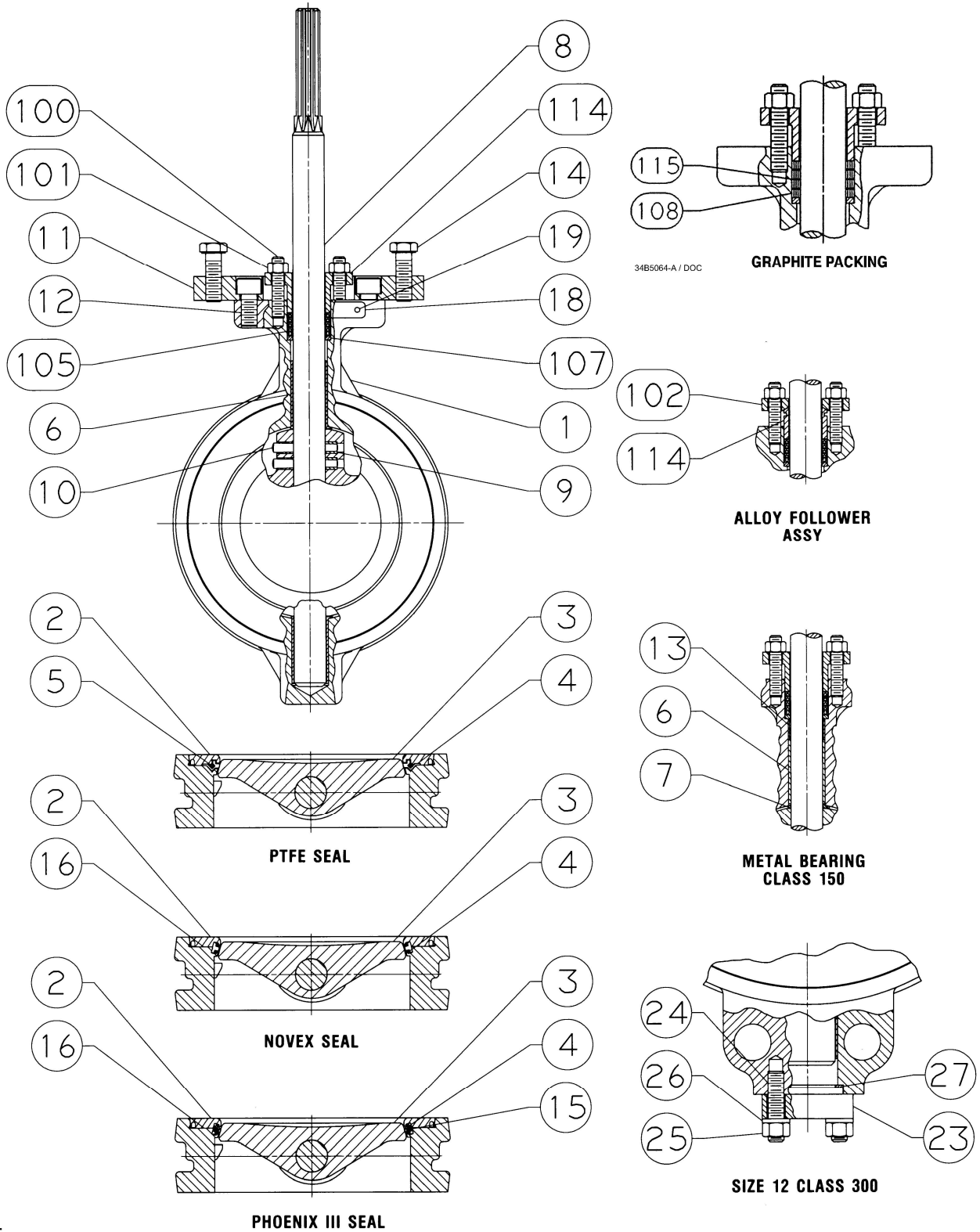
Instruction Manual

Form 5343
June 2001

Type 8560

Key 15*. Backup Ring (Use w/ Phoenix III Seal)

VALVE SIZE, INCHES	MATERIAL				
	EPR	Viton	Neoprene	Filled Silicone	NBR
3	75B1123X022	75B1123X092	75B1123X162	75B1123X502	75B1123X442
4	75B1123X032	75B1123X102	75B1123X172	75B1123X512	75B1123X452
6	75B1123X042	75B1123X112	75B1123X182	75B1123X522	75B1123X462
8	V110611X032	V110611X022	V110611X042	V110611X072	V110611X062
10	75B0344X012	75B0344X022	75B0344X032	75B0344X062	75B0344X052
12	75B0340X012	75B0340X022	75B0340X032	75B0340X062	75B0340X052



NOTE:
KEYS 21, 22, AND 28 ARE NOT SHOWN.
75B0090-A / DOC

Figure 14. Valve Assembly for 3- through 12-Inch Sizes