

Table A6-7
Inner Pipig for Impeller Casing Consumables

NOTE
 *Remark ※ : Parts to be replaced at each regular inspection.
 *Not Remark ※ : Replace with a new one depending on the condition.
 *"Order Qty" shows parts quantity for two fans.
 *(Quantity required normal maintenance.)

EQUIPMENT No.	MARKS	DESCRIPTION	PART NO	1-PIECE WEIGHT (kg)	REMARK	ORDER Q'TY	DELIVERY TIME (Month)	REPLACEMENT SCHEDULE (Year)
(G) I N N E R P I P I G F O R I M P E L L E R C A S I N G	1	PIPE 10A × S4 (FOR A)	FIG-7-①	1.06		1		
	2	PIPE 40A × S4 (FOR A)	FIG-7-②	2.05		1		
	3	PIPE 25A × S8 (FOR A)	FIG-7-③	3.43		1		
	4	S-90E 10 × S8 (FOR A)	FIG-7-④	0.15		3		
	5	S-90E 25 × S8 (FOR A)	FIG-7-⑤	0.54		2		
	6	B-90ES 40 × S4 (FOR A)	FIG-7-⑥	0.245		2		
	7	S-45E 10 × S8 (FOR A)	FIG-7-⑦	0.12		1		
	8	B-45ES 40 × S4 (FOR A)	FIG-7-⑧	0.122		2		
	9	B-TS 40 × S4 (FOR A)	FIG-7-⑨	0.604		1		
	10	FLANGE 5K-40 (FOR A)	FIG-7-⑩	0.83		2		
	11	FLANGE 10K-10 (FOR A)	FIG-7-⑪	0.52		2		
	12	FLANGE 10K-25 (FOR A)	FIG-7-⑫	1.13		1		
	13	FLANGE #150-25 (FOR A)	FIG-7-⑬	0.78		1		
	14	FLANGE #150-40 (FOR A)	FIG-7-⑭	1.32		1		
	15	GASKET 5K-40 (FOR A)	FIG-7-⑮	0.01	※	2	4	every 4years or during fan overhaul
	16	GASKET 10K-10 (FOR A)	FIG-7-⑯	0.005	※	2	4	every 4years or during fan overhaul
	17	GASKET 10K-25 (FOR A)	FIG-7-⑰	0.009	※	1	4	every 4years or during fan overhaul
	18	GASKET #150-25 (FOR A)	FIG-7-⑱	0.007	※	1	4	every 4years or during fan overhaul
	19	GASKET #150-40 (FOR A)	FIG-7-⑲	0.010	※	1	4	every 4years or during fan overhaul
	20	BOLT M12 × 35 (FOR A)	FIG-7-⑳	0.05		12		
	21	BOLT,NUT M12 × 45 (FOR A)	FIG-7-㉑	0.075		4		
	22	BOLT,NUT M14 × 55 (FOR A)	FIG-7-㉒	0.119		4		
	23	BOLT,NUT M14 × 60 (FOR A)	FIG-7-㉓	0.125		4		
	24	BOLT M16 × 45 (FOR A)	FIG-7-㉔	0.111		4		
	25	WASHER M12 (FOR A)	FIG-7-㉕	0.007	※	16	4	during fan overhaul
	26	WASHER M14 (FOR A)	FIG-7-㉖	0.009	※	8	4	during fan overhaul
	27	WASHER M16 (FOR A)	FIG-7-㉗	0.011	※	4	4	during fan overhaul

CONFIDENTIAL
 THIS DOCUMENT IS THE PROPERTY OF MITSUBISHI HITACHI POWER SYSTEMS, LTD.(MHPS) AND CONFIDENTIAL. IT MUST NEITHER BE COPIED NOR USED FOR ANY PURPOSE OR MANNER OTHER THAN EXPRESSLY PERMITTED BY MHPS OR WITH A PRIOR WRITTEN CONSENT OF MHPS NEITHER IS IT TO BE HANDED OVER NOR COMMUNICATED TO A THIRD PARTY IN ANY WAY. BREACH OR INFRINGEMENT OF ANY KIND WILL LEAD TO LEGAL ACTION.

Controlled when printed or downloaded. Verify that this is the correct version before use.
 Reproduction of part or all the contents of the document is prohibited without written permission from PT. Bhumi Jebara Service

Table A6-7
Inner Pipig for Impeller Casing Consumables

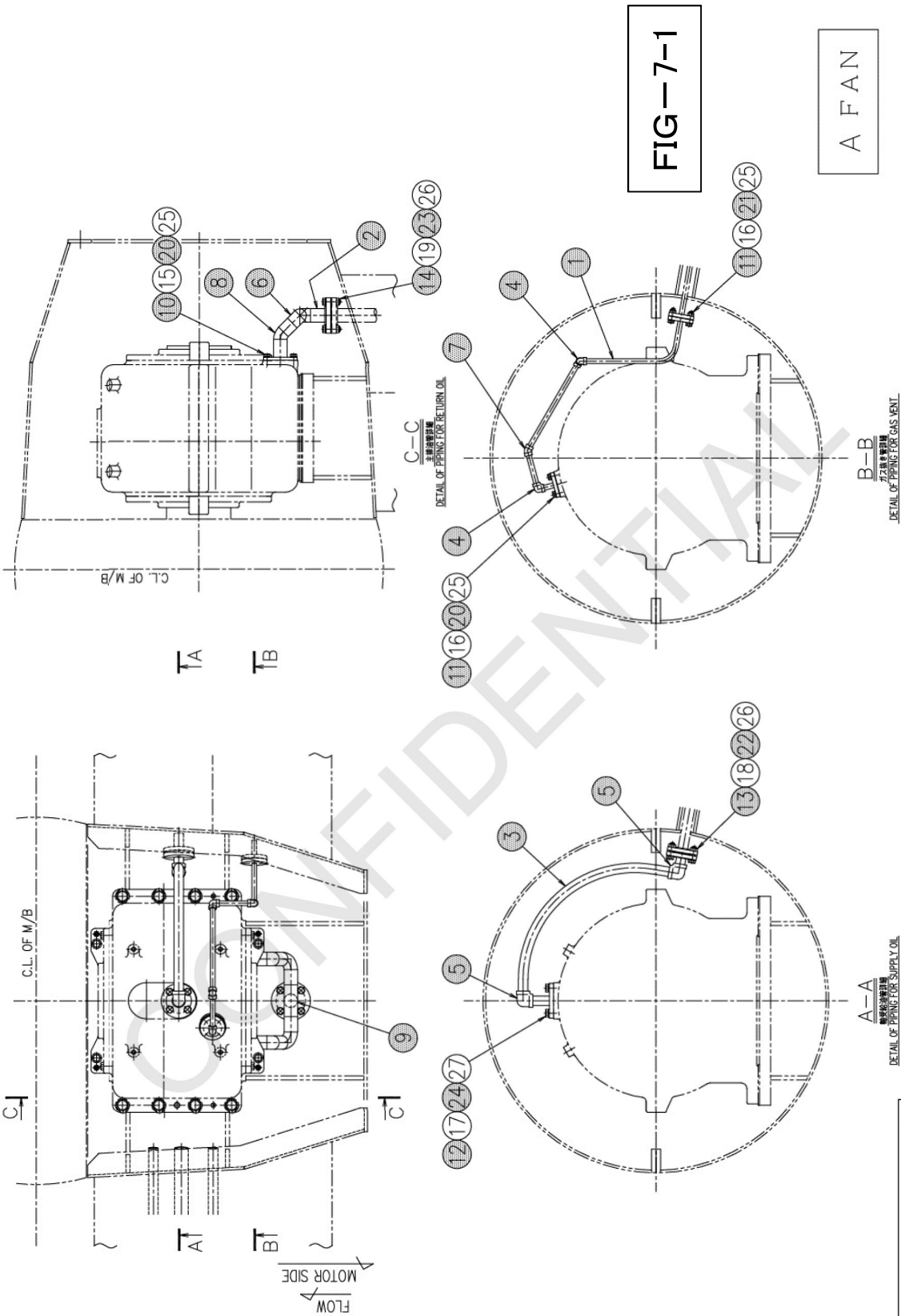
NOTE

- Remark ※ : Parts to be replaced at each regular inspection.
- Not Remark ※ : Replace with a new one depending on the condition.
- "Order Q'ty" shows parts quantity for two fans.
- (Quantity required normal maintenance.)

EQUIPMENT No.	MARKS	DESCRIPTION	PART NO	1-PIECE WEIGHT (kg)	REMARK	ORDER Q'TY	DELIVERY TIME (Month)	REPLACEMENT SCHEDULE (Year)	
(G) (I) (N) (N) (E) (R) P I P I G F O R I M P E L L E R C A S I N G	31	PIPE 10A x S4 (FOR B)	FIG-7-31	0.94		1			
	32	PIPE 40A x S4 (FOR B)	FIG-7-32	2.05		1			
	33	PIPE 25A x S8 (FOR B)	FIG-7-33	3.43		1			
	34	S-90E 10 x S8 (FOR B)	FIG-7-34	0.15		3			
	35	S-90E 25 x S8 (FOR B)	FIG-7-35	0.54		2			
	36	B-90ES 40 x S4 (FOR B)	FIG-7-36	0.245		2			
	38	B-45ES 40 x S4 (FOR B)	FIG-7-38	0.122		2			
	39	B-TS 40 x S4 (FOR B)	FIG-7-39	0.604		1			
	40	FLANGE 5K-40 (FOR B)	FIG-7-40	0.83		2			
	41	FLANGE 10K-10 (FOR B)	FIG-7-41	0.52		2			
	42	FLANGE 10K-25 (FOR B)	FIG-7-42	1.13		1			
	43	FLANGE #150-25 (FOR B)	FIG-7-43	0.78		1			
	44	FLANGE #150-40 (FOR B)	FIG-7-44	1.32		1			
	45	GASKET 5K-40 (FOR B)	FIG-7-45	0.01	※	2	4	every 4years or during fan overhaul	
	46	GASKET 10K-10 (FOR B)	FIG-7-46	0.005	※	2	4	every 4years or during fan overhaul	
	47	GASKET 10K-25 (FOR B)	FIG-7-47	0.009	※	1	4	every 4years or during fan overhaul	
	48	GASKET #150-25 (FOR B)	FIG-7-48	0.007	※	1	4	every 4years or during fan overhaul	
	49	GASKET #150-40 (FOR B)	FIG-7-49	0.010	※	1	4	every 4years or during fan overhaul	
	50	BOLT M12 x 35 (FOR B)	FIG-7-50	0.05		12			
	51	BOLT,NUT M12 x 45 (FOR B)	FIG-7-51	0.075		4			
	52	BOLT,NUT M14 x 55 (FOR B)	FIG-7-52	0.119		4			
	53	BOLT,NUT M14 x 60 (FOR B)	FIG-7-53	0.125		4			
	54	BOLT M16 x 45 (FOR B)	FIG-7-54	0.111		4			
	55	WASHER M12 (FOR B)	FIG-7-55	0.007	※	16	4	during fan overhaul	
	56	WASHER M14 (FOR B)	FIG-7-56	0.009	※	8	4	during fan overhaul	
	57	WASHER M16 (FOR B)	FIG-7-57	0.011	※	4	4	during fan overhaul	

CONFIDENTIAL
THIS DOCUMENT IS THE PROPERTY OF MITSUBISHI HITACHI POWER SYSTEMS, LTD. (MHPS) AND CONFIDENTIAL. IT MUST NEITHER BE COPIED NOR USED FOR ANY PURPOSE OR MANNER OTHER THAN EXPRESSLY PERMITTED BY MHPS OR WITH A PRIOR WRITTEN CONSENT OF MHPS NEITHER IS IT TO BE HANDED OVER NOR COMMUNICATED TO A THIRD PARTY IN ANY WAY. BREACH OR INFRINGEMENT OF ANY KIND WILL LEAD TO LEGAL ACTION.

Uncontrolled when printed or downloaded. Verify that this is the correct version before use.
Reproduction of part or all the contents of the document is prohibited without written permission from PT. Bhumi Jepera Service



Uncontrolled when printed or downloaded. Verify that this is the correct version before use.
 Reproduction of part or all the contents of the document is prohibited without written permission from PT. Bhumi Jepra Service