



DIAZED-BASE DII 25A AC DC 500V SREWHEAD/CLAMP
TYPE TERMINAL SCREW TYPE

Similar to image

Technical data:

Design of the fuse base		gauge inset
Current / for AC / rated value	A	25
Number of poles		1
Type of mounting		screw fixing
Material / of the enclosure		porcelain
Product component / Cover		Yes
Size of the fallback-system / acc. to DIN EN 60269-1		DIII
Supply voltage / for AC / rated value	V	500

Certificates/approvals:

General Product Approval	Declaration of Conformity	Test Certificates	Shipping Approval
 GOST	 KEMA	 VDE	 EG-Konf.
		Type Test Certificates/Test Report	 GL

Further information:

Information- and Downloadcenter (Catalogs, Brochures,...)
<http://www.siemens.com/lowvoltage/catalogs>

Industry Mall (Online ordering system)

<http://www.siemens.com/lowvoltage/mall>

Service&Support (Manuals, Certificates, Characteristics, FAQs,...)

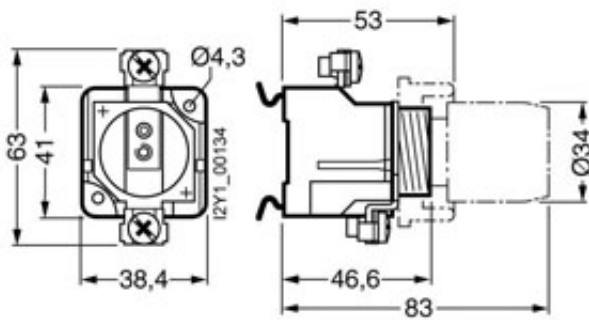
<http://support.automation.siemens.com/WW/view/en/5SF1024/all>

Image database (product images, 2D dimension drawings, 3D models, device circuit diagrams, ...)

http://www.automation.siemens.com/bilddb/cax_en.aspx?mlfb=5SF1024

CAX-Online-Generator

<http://www.siemens.com/cax>



last change:

Feb 17, 2013