



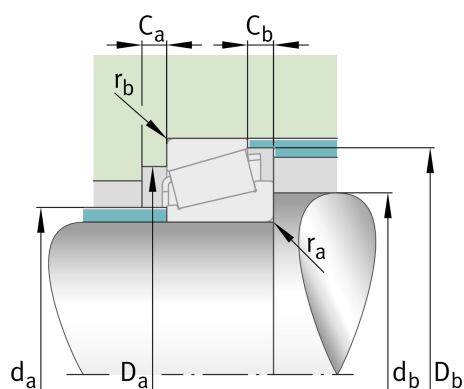
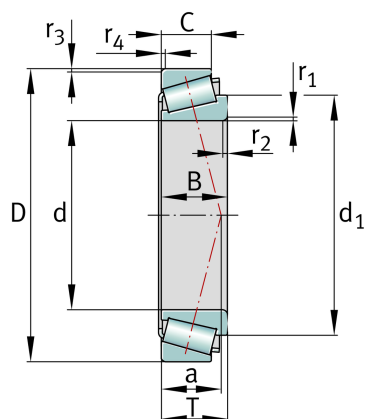
FAG

K46790-46720

Tapered roller bearing

Schaeffler ID:
0383623170000Tapered roller bearing K-SERIES, single
row

Technical information



Main Dimensions & Performance Data

d	165.1 mm	Bore diameter
D	225.425 mm	Outside diameter
B	39.688 mm	Width, inner ring
C	33.338 mm	Width, outer ring
T	41.275 mm	Width, total
C_r	239,000 N	Basic dynamic load rating, radial
C_{0r}	520,000 N	Basic static load rating, radial
C_{ur}	65,000 N	Fatigue load limit, radial
n_G	2,950 1/min	Limiting speed
	5.03 kg	Weight

Dimensions

$r_{1,2 \text{ min}}$	3.6 mm	Minimum chamfer dimension of inner ring back face
$r_{3,4 \text{ min}}$	3.3 mm	Minimum chamfer dimension of outer ring back face
a	45 mm	Distance between the apexes of the pressure cones
d_1	199 mm	Guidance rib diameter of inner ring

Mounting dimensions

$d_{a \text{ max}}$	174 mm	Maximum diameter of shaft shoulder
$d_{b \text{ min}}$	181 mm	Minimum diameter of shaft shoulder
$D_{a \text{ min}}$	209 mm	Minimum diameter of housing shoulder
$D_{b \text{ min}}$	218 mm	Minimum diameter of housing shoulder
$C_{a \text{ min}}$	2.5 mm	Minimum axial space
$C_{b \text{ min}}$	6.5 mm	Minimum axial space
$r_{a \text{ max}}$	3.6 mm	Maximum fillet radius of shaft
$r_{b \text{ max}}$	3.3 mm	Maximum fillet radius of housing

Calculation factors

e	0.38	Limiting value of F_a/F_r for the applicability of diff. Values of factors X and Y
Y	1.57	Dynamic axial load factor
Y_0	0.86	Static axial load factor

Temperature range

T_{\min}	-30 °C	Operating temperature min.
T_{\max}	200 °C	Operating temperature max.