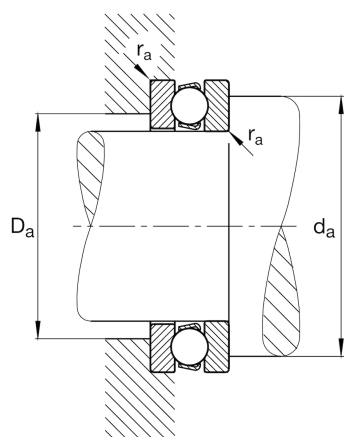
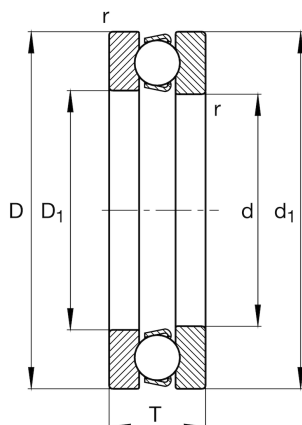


**FAG****51205**

Axial deep groove ball bearing

Schaeffler ID:
0167150200000Axial deep groove ball bearing 512, single
direction, steel sheet metal cage

Technical information

**Main Dimensions & Performance Data**

d	25 mm	Bore diameter
D	47 mm	Outside diameter
T	15 mm	Height
C_a	26,500 N	Basic dynamic load rating, axial
C_{0a}	50,000 N	Basic static load rating, axial
C_{ua}	2,280 N	Fatigue load limit, axial
n_G	7,500 1/min	Limiting speed
n_{gr}	9,800 1/min	Reference speed
	0.001 kg	Weight

Dimensions

r_{min}	0.6 mm	Minimum chamfer dimension
D_1	27 mm	Bore diameter housing washer
d_1	47 mm	Lip diameter shaft washer

Mounting dimensions

$d_{a min}$	38 mm	Minimum diameter shaft shoulder
$D_{a max}$	34 mm	Maximum diameter of housing shoulder
$r_{a max}$	0.6 mm	Maximum recess radius

Calculation factors

A	0.013	Minimum load factor
---	-------	---------------------

Temperature range

T_{min}	-30 °C	Operating temperature min.
T_{max}	150 °C	Operating temperature max.